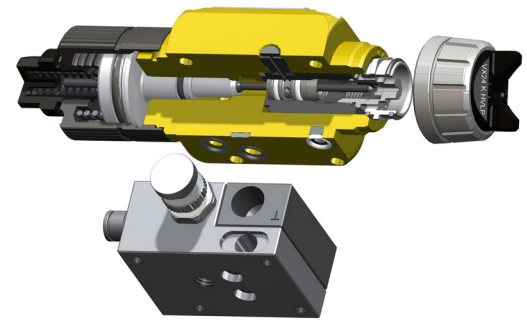
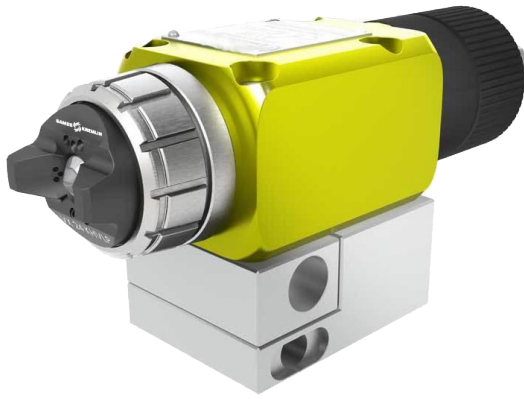


# AVX AUTOMATIC AIRMIX® GUN

## SPARE PARTS

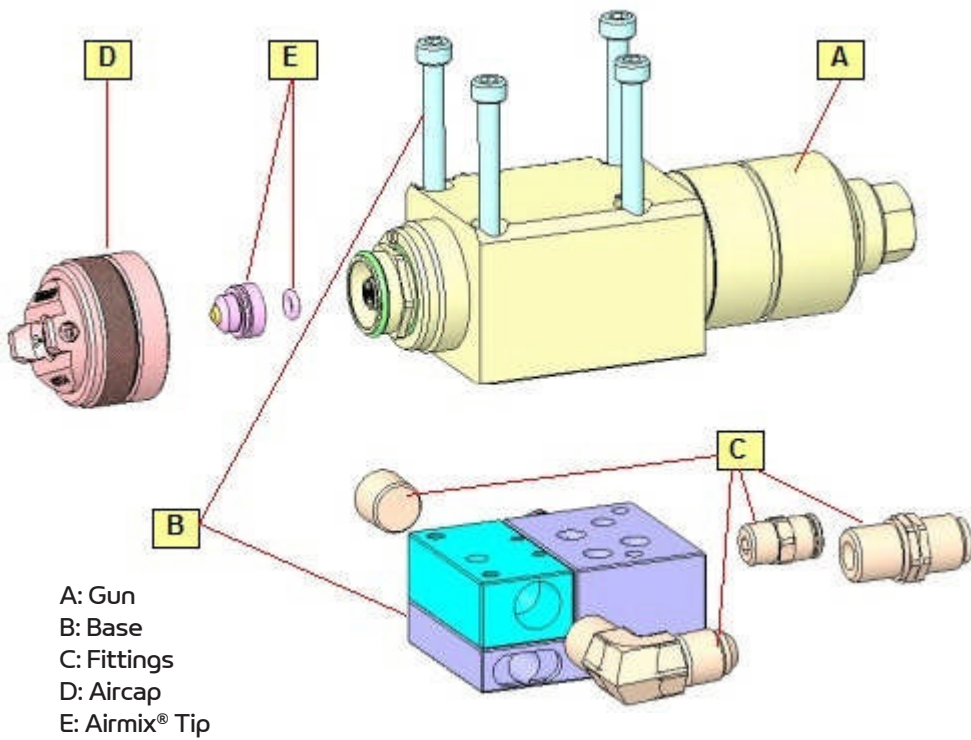
WITHOUT AIRCAP & TIP



AVX (⌈) 129-695-000  
AVX (Ω) 129-695-100

AVX (⌈) 129-695-050  
AVX (Ω) 129-695-150

(⌈): Fluid circulation in the BASE  
(Ω): Fluid circulation in the GUN

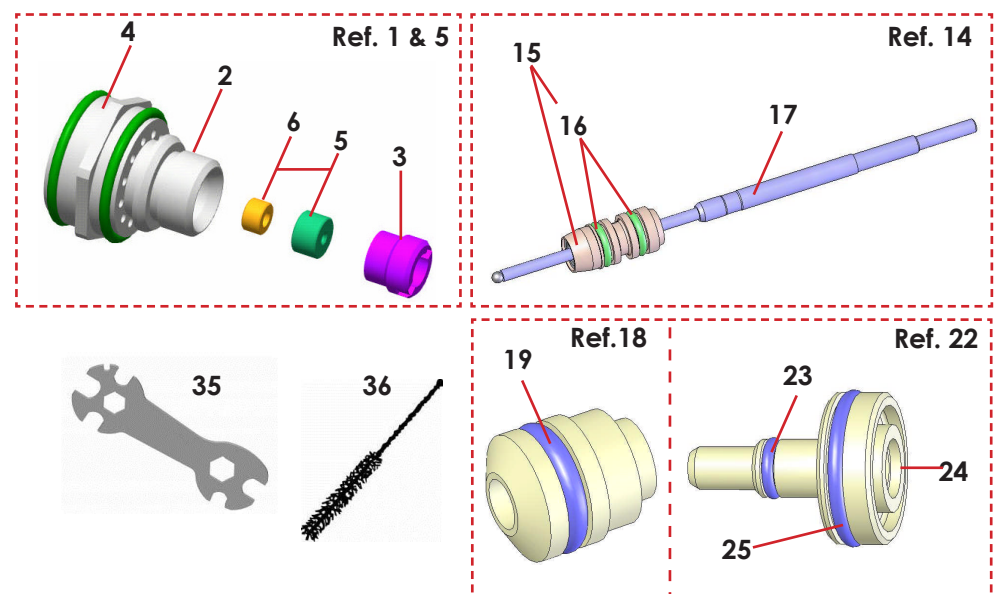
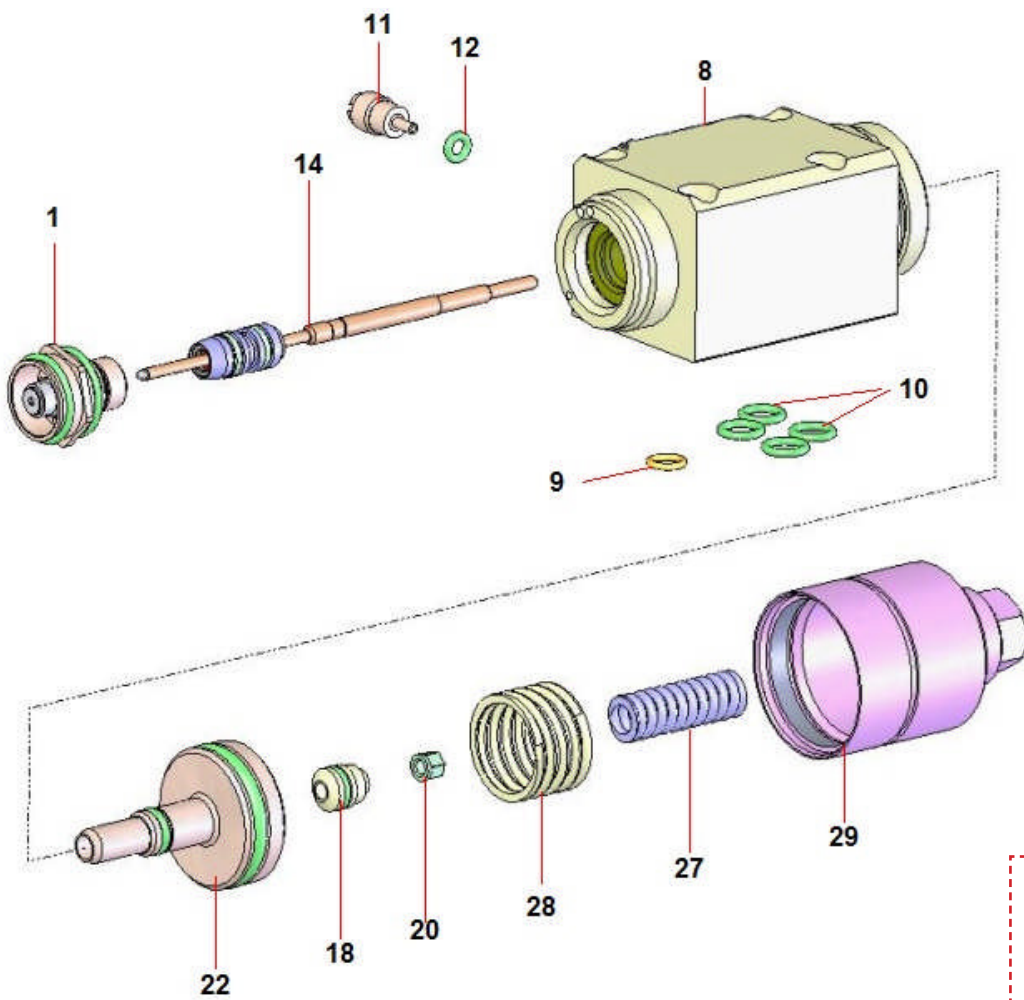


| REF | PART NUMBER | DESCRIPTION                                 | QTY |
|-----|-------------|---|-----|
| *1  | 129-679-907 | Seat-holder assembly (without seat)         | 1   |
| 2   | NC / NS     | ⌈ Seat-holder                               | 1   |
| 3   | 029-600-106 | ⌈ Screw                                     | 1   |
| 4   | 150-040-329 | ⌈ O-Ring (pack of 10)                       | 2   |
| *5  | 129-679-905 | Seat with seal, stainless steel (pack of 2) | 1   |
| 6   | 129-629-922 | ⌈ Seal, seat (pack of 10)                   | 1   |
| *10 | 129-251-991 | Seal (pack of 10)                           | 4   |
| 11  | 029-690-001 | Fluid leakage detector                      | 1   |
| *12 | 129-529-903 | O-Ring (pack of 10)                         | 1   |
| *14 | 129-690-050 | Needle-cartridge assembly (pack of 4)       | 1   |
| 15  | 129-690-039 | ⌈ Cartridge with seals                      | 1   |
| 16  | 909-429-702 | ⌈ Seal, white, Polyfluid                    | 2   |
| 17  | NC / NS     | ⌈ Needle                                    | 1   |
| *18 | 029-626-200 | Retainer, needle                            | 1   |
| 19  | 129-400-915 | ⌈ Seal, green, R5a (pack of 10)             | 1   |
| 20  | 029-251-303 | Nut, special                                | 1   |
| *22 | 129-690-010 | Piston assembly                             | 1   |
| 23  | 129-479-910 | ⌈ Seal, R6 (pack of 10)                     | 1   |
| 24  | NC / NS     | ⌈ Piston only                               | 1   |
| 25  | 909-130-522 | ⌈ Seal, black, R20                          | 1   |
| *27 | 050-313-107 | Spring, fluid needle (stainless steel)      | 1   |
| *28 | 050-313-504 | Spring, piston (stainless steel)            | 1   |
| 29  | 129-690-040 | Cylinder                                    | 1   |

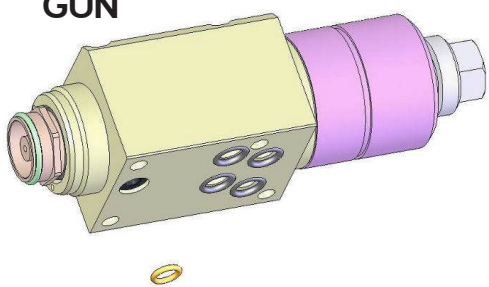
**SPECIFIC PARTS**

|    |             |  |   |
|----|-------------|--|---|
| 8  | 129-690-020 | AVX (⌈) Gun body, stainless steel  | 1 |
| *9 | 150-040-328 | AVX (⌈) Seal (pack of 10)  | 1 |
| 8  | 129-691-020 | AVX (Ω) Gun body, stainless steel  | 1 |
| *9 | 150-040-328 | AVX (Ω) Seal (pack of 10)  | 2 |
| 35 | 049-030-042 | Gun wrench   | 1 |
| 36 | 906-300-101 | Large size brush   | 1 |
| *  | 129-690-901 | Package of seals (ind. 4 (x2), 9 (x2), 10 (x4), 12, 16 (x2), 19, 23, 25, 44, 51 (x2), 72, 75, 79a, 79b + grease) | 1 |

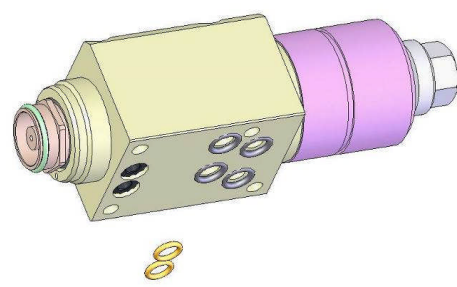
\* Suggested Spare Part  
NS = Parts Are Not Serviceable



**GUN**

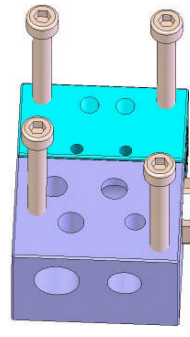
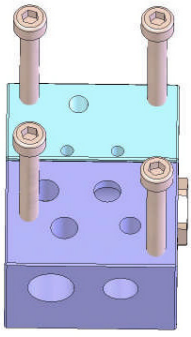


AVX (⌈) 129-690-000

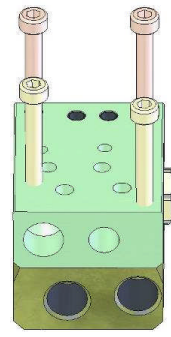
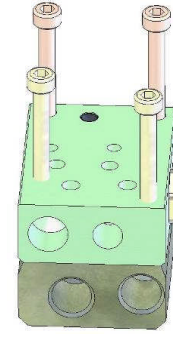


AVX (Ω) 129-691-000

### STAINLESS STEEL INSERT



(T): fluid circulation in the base  
(Ω): fluid circulation in the gun

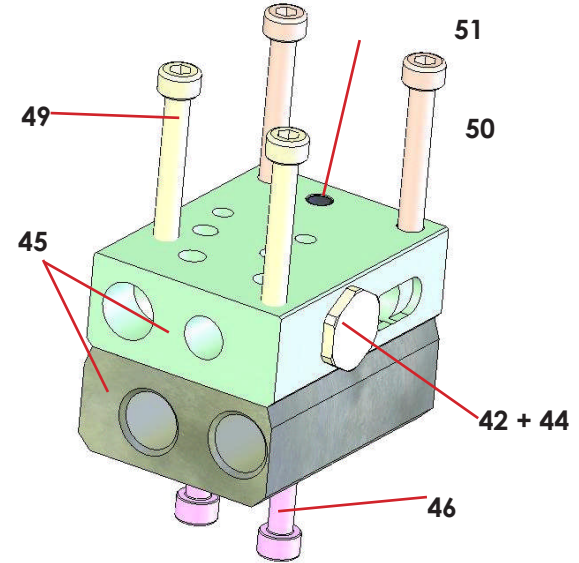
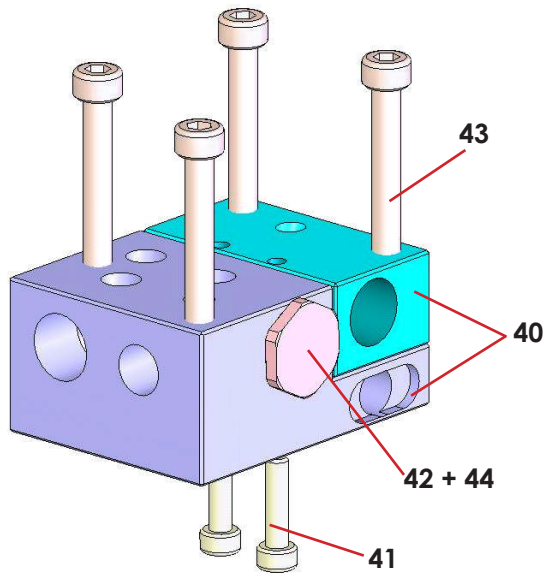


AVX (T) 129-690-070

AVX (Ω) 129-691-070

AVX (T) 129-690-080

AVX (Ω) 129-691-080

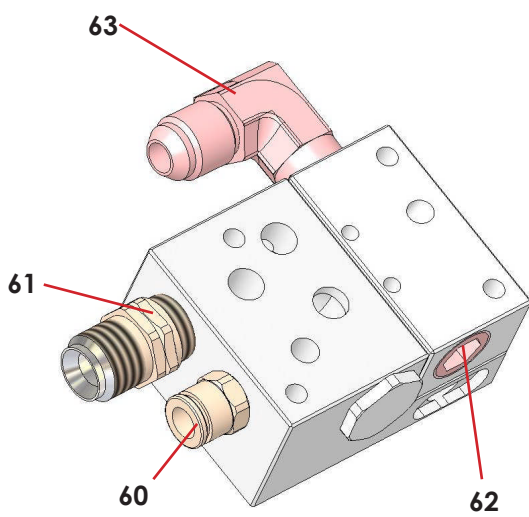


| FOR BASE: 129-690-070 & 129-691-070 |             |                   |     |
|-------------------------------------|-------------|-------------------|-----|
| REF                                 | PART NUMBER | DESCRIPTION       | QTY |
| 40                                  | NC / NS     | Base + insert     | 1   |
| 41                                  | 933-151-219 | Screw, M 4x16     | 2   |
| 42                                  | 050-261-103 | Plug              | 1   |
| 43                                  | 88-126      | Screw, M 5x40     | 4   |
| 44                                  | 129-529-907 | Seal (pack of 10) | 1   |

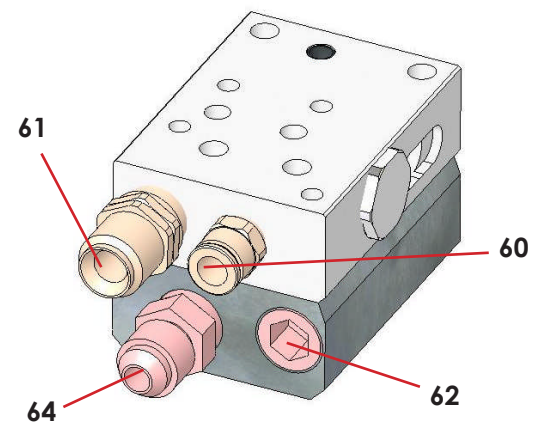
| FOR BASE: 129-690-080 & 129-691-080 |             |                   |     |
|-------------------------------------|-------------|-------------------|-----|
| REF                                 | PART NUMBER | DESCRIPTION       | QTY |
| 42                                  | 050-261-103 | Plug              | 1   |
| 44                                  | 129-529-907 | Seal (pack of 10) | 1   |
| 45                                  | NC / NS     | Base + insert     | 1   |
| 46                                  | 88-124      | Screw, M 5x25     | 2   |
| 49                                  | 88-126      | Screw, M 5x40     | 2   |
| 50                                  | 930-151-596 | Screw, M 5x60     | 2   |
| 51                                  | 150-040-328 | Seal (pack of 10) | -   |

51: Qty = 1 For Base 129-690-080 / Qty = 2 For Base 129-691-080

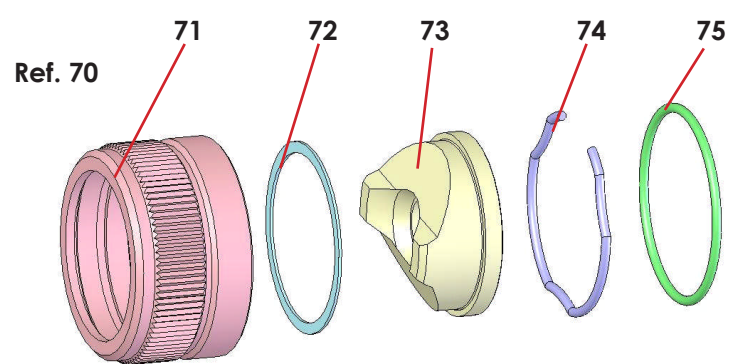
### FITTINGS



| REF | PART NUMBER | DESCRIPTION   | QTY |
|-----|-------------|---|-----|
| 60  | 905-124-901 | Fitting, quick release (control) M1/8 BSP- T 4x6                                      | 1   |
| 61  | 050-102-624 | Fitting (air), double male, 1/4 BSP - 1/4 NPS   | 1   |
| 62  | 905-210-303 | Plug, fluid, stainless steel, 1/4 NPT   | 1   |
| 63  | 905-210-602 | Elbow fitting, stainless steel (material), double male, 1/4 NPT - 1/2 JIC (# 5 JIC)   | 2   |
| 64  | 905-210-502 | Straight fitting, stainless steel (material) double male, 1/4 NPT - 1/2 JIC (# 5 JIC) | 2   |



### AIRCAP



| *70          | PART NUMBER | AIRCAP ASSEMBLY (REFER TO CHART)                              | 1 |
|--------------|-------------|---|---|
| 71           | 029-670-006 | Aircap ring   | 1 |
| 72           | 129-670-075 | Seal, aircap (x 2)  | 1 |
| 73           | NC / NS     | Aircap only   | 1 |
| 74           | 032-670-003 | Stop ring   | 1 |
| 75           | 150-040-330 | Seal, ring (pack of 10)                                       | 1 |
| AIRCAP       |             |   |   |
| VX 24        | 132-720-020 | For adjustable pattern width - HVLP, Adjustable air flow rate |   |
| VX 54        | 132-670-030 | For permanent pattern width - anti-aderent treatment          |   |
| VX 124       | 132-720-055 | For permanent pattern width - HVLP, High finishing            |   |
| VX 14 KHVLP  | 132-670-920 | For adjustable pattern width                                  |   |
| VX 114 KHVLP | 132-670-940 | For permanent pattern width                                   |   |

### Sames

North America Headquarters 45001 5 Mile Road | Plymouth, Michigan 48170 | Toll: (800)573-5554 | Tel: (734)979-0100 | Fax: (734)927-0064  
Canada Branch 931 Progress Avenue, Unit 7 | Scarborough, Ontario M1G 3V5 | Toll: (800)450-0655 | Tel: (416)431-5017 | Fax: (416)431-9171

LT 999-600-292 © 2023 Sames reserves the right to change without notice characteristics and services offered as well as equipment and attachments of these.