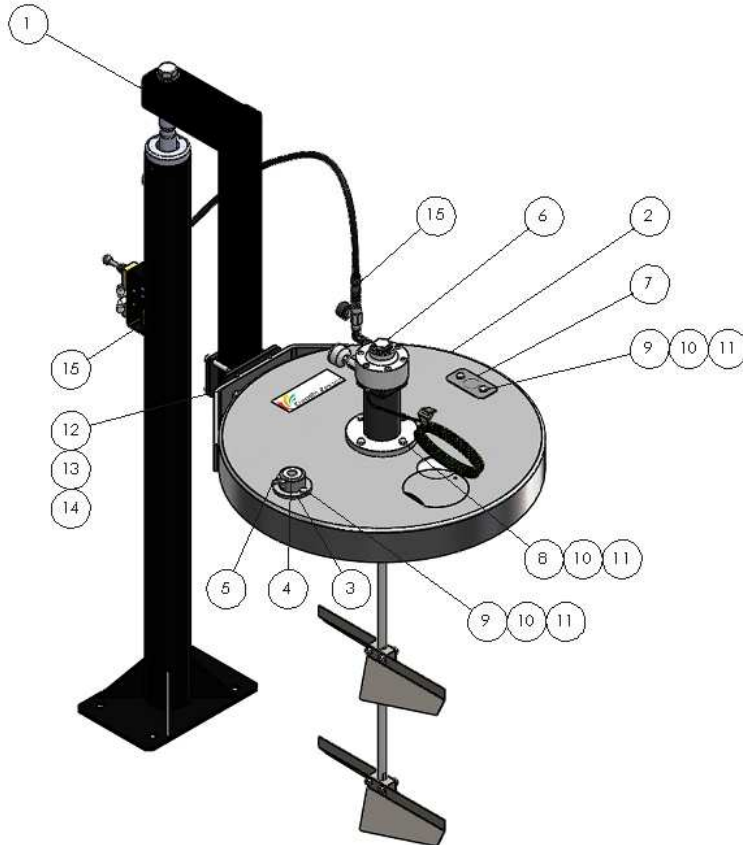




Doc. SP 668-900-551 Date/Fecha : 6/2/2014 Annule/Cancel/Anula :	Modif. : 9/17/14 – Elevator Assem. Modified 12/17/4 – Updated parts lists	Pièces de rechange Spare parts list Piezas de repuesto
	55 GALLON DRUM AGITATOR, GEAR DRIVE AIR MOTOR	



TECHNICAL SPECIFICATIONS:

Height;
 Retracted: 59 ½"
 Extended: 96 ¾"
 Width: 24 ¾"
 Depth: 38 ¾"
 Cover ID: 24 ½"
 Weight: 75 lbs

Mounting Rectangular Pattern
 Width 5.6" Depth 8.8" (4) Thru holes Ø.590"

Drum Cover Height: 35 ½"
 Adjustable by slide clamp arrangement
 Range 27" (Min -10", Max 17")

Agitator Blade Diameter: 6 ½"
 Agitator Blade Spacing: 12"
 Agitator Shaft Length: 31 ½"
 Agitator Shaft Diameter: ½"

Air Connection 1/2" ISO (F)
 Air Requirements 15 CFM

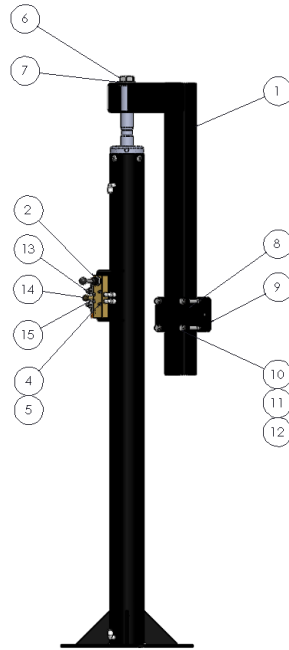
Item	Part No.	Description	Qty.
1	62-2512-00	ELEVATOR ASSY, 55 GAL SINGLE POST	1
2	668-000-552	COVER, 55 GAL WITH LIFTING BRACKETS	1
3	669-900-129	FLANGE, SUCTION ROD, 3/4" PIPE	1
4	669-900-115	FLANGE, REDUCING, 3/8 SUCTION ROD	1
5	669-900-110	NUT, WING, 1/4-20 X 3/4" LONG	1
6	154-261-300	MOTOR & AGITATOR ASSEMBLY	1
7	669-900-137	PLATE, COVER, PAIL/DRUM	1
8	933-011-390	SCREW, HEX HD, M8 x 30	4
9	933-011-279	SCREW, HEX HD, M8 X 20MM, STEEL	4
10	963-040-019	WASHER, M8	8
11	953-010-019	NUT, HEX M8	8
12	930-151-392	HHCS, M10 X 30. , FULL THDS.	2
13	669-900-108	WASHER, LOCKING M10	2
14	953-010-021	NUT, M10	2
15	154-261-930	KIT, AIR, CYCLIX	1



Pneumatic motor requires lubrication for manufacture's warranty to be accepted.

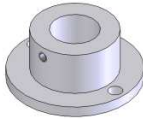
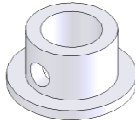

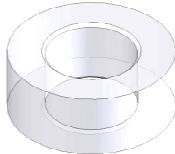
Recommended Lubrication: AZOLLQA ZS 32 P/N 149-990-017

ELEVATOR ASSEMBLY



Item	Part No.	Description	Qty
	62-2512-00	ELEVATOR, SINGLE POST WITH BRACKET	1
1	72-2357-01	ARM, 55 GALLON, SINGLE POST	1
2	85-3091-00	VALVE, PLUNGER, 1/8 G PORTS	1
3	85-3114-00	ELBOW, 1/8 R X 1/4 ODT	4
4	82-0341-69	SCREW, SHCS 8-32 X 1-1/4" LG.	4
5	82-0470-40	WASHER, LOCK SPLIT, # 8, STEEL	4
6	82-3092-00	SCREW, HHCS, 7/8-9 X 1.5" LG.	1
7	82-0199-16	WASHER, FLAT, 7/8	2
8	72-2357-03	PLATE, CLAMPING, ARM	1
9	72-2357-02	PLATE, MOUNTING, ARM	1
10	82-3098-00	SCREW, HHCS, 3/8-24 X 3" LG STEEL	4
11	350-180	WASHER, SPLIT LOCK, 3/8	4
12	350-115	3/8 FLAT WASHER, PLATED	4
13	85-5275-00	VALVE, AIR FLOW CONTROL, 1/8BSPP(M/F)	2
14	85-5362-02	COUPLING, HEX 1/8 BSPP, BRASS	1
15	85-5362-01	NIPPLE, 1/8 BSPT X 1-1/2IN LG. BRASS	1

55 GALLON DRUM AGITATOR, GEAR DRIVE DRIVE AIR MOTOR

Optional Equipment		
Flange, Drain Rod or Suction Line	Flange, Reducing 3/4" to 3/8" Tube	Bracket, Wall Mounting Kit
		
669-900-129	669-900-115	62-2130-00
Used on Drum Cover	Used with Flange 669-900-129	Used with Elevator 62-2512-00
Spacer, Elevator Stroke Reducing 1"		
		
72-1904-01		
Used with Elevator 62-2512-00		

Stroke Reducing Spacer used with Elevator PN 1059720010

Spacers are available in 1 inch increments. Order the correct number to reduce the stroke to the desired dimension.

Custom length spacers are available, contact engineering for part number.

Installation: To install a spacer, remove the snap ring holding the cylinder head in place. Remove the cylinder head by pulling on the shaft. Slide the spacer(s) over shaft and replace cylinder head. Ensure o-rings on the cylinder head and piston have not been damaged. Re-install snap ring, ensure that it has seating in the entire outer diameter.