

AZUR™ 72C160 AIRLESS® PUMP

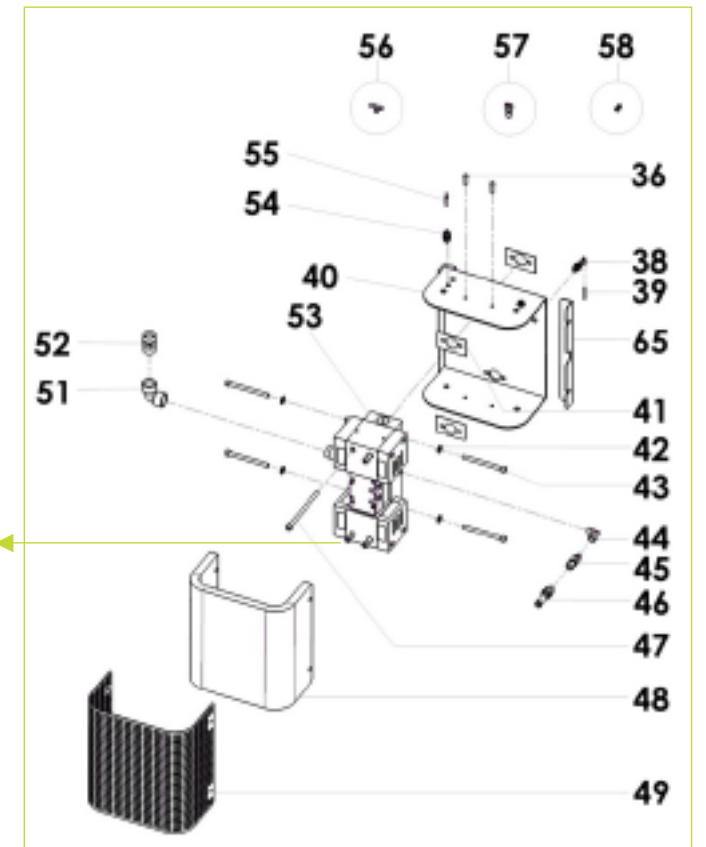
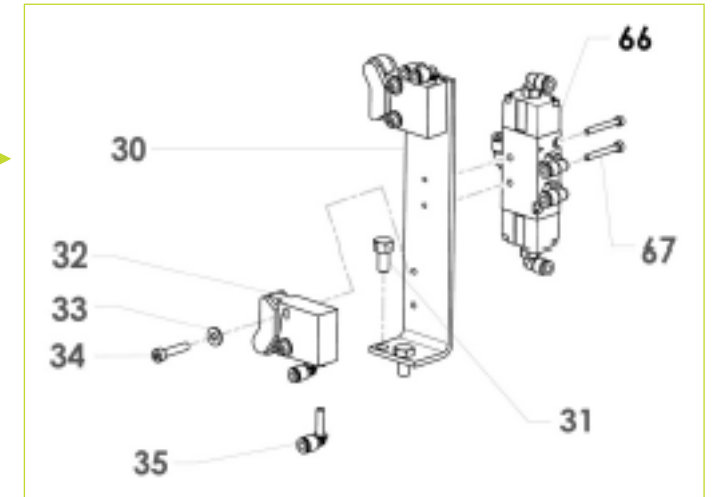
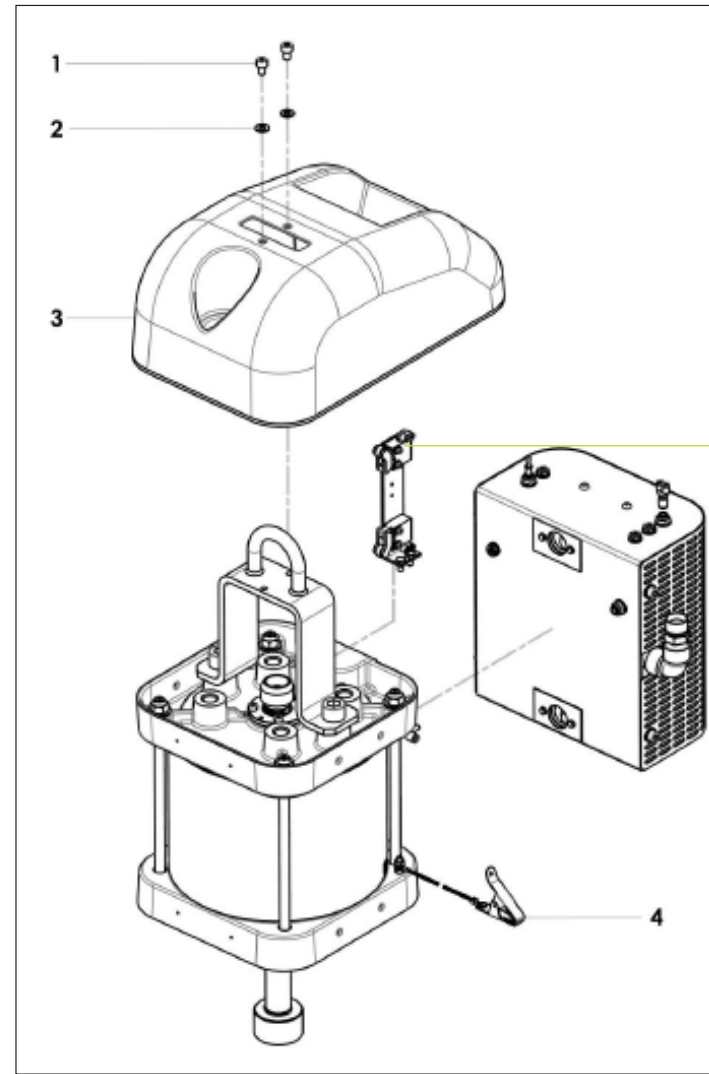
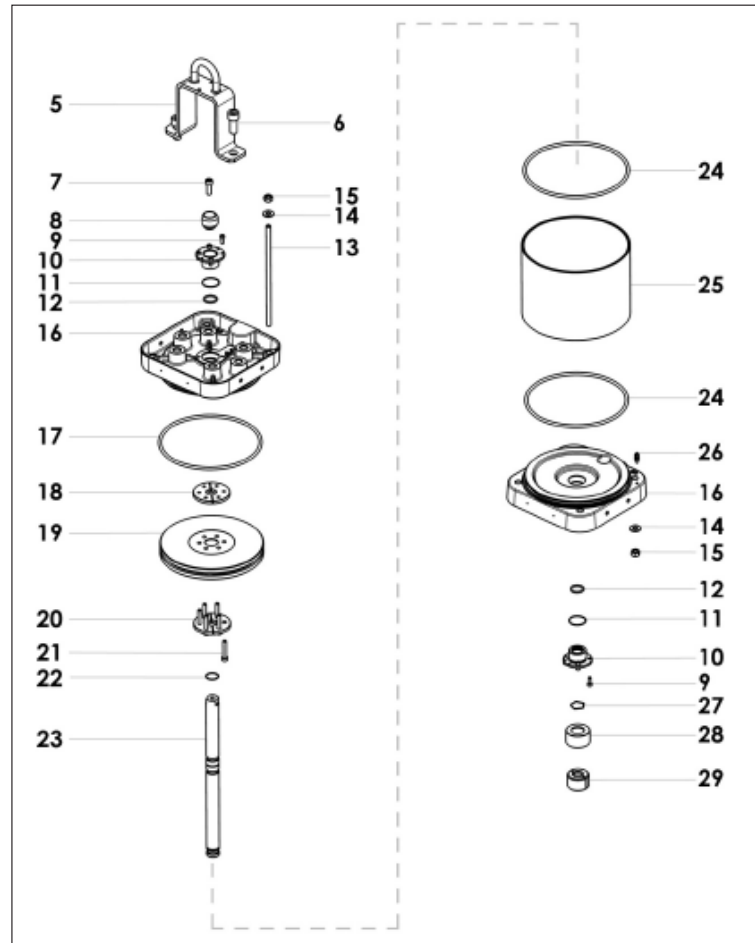
SPARE PARTS BREAKDOWN

sames kremlin



MOTOR - MODEL 7120

A



FLUID SECTION SEAL KIT - 144 050 403

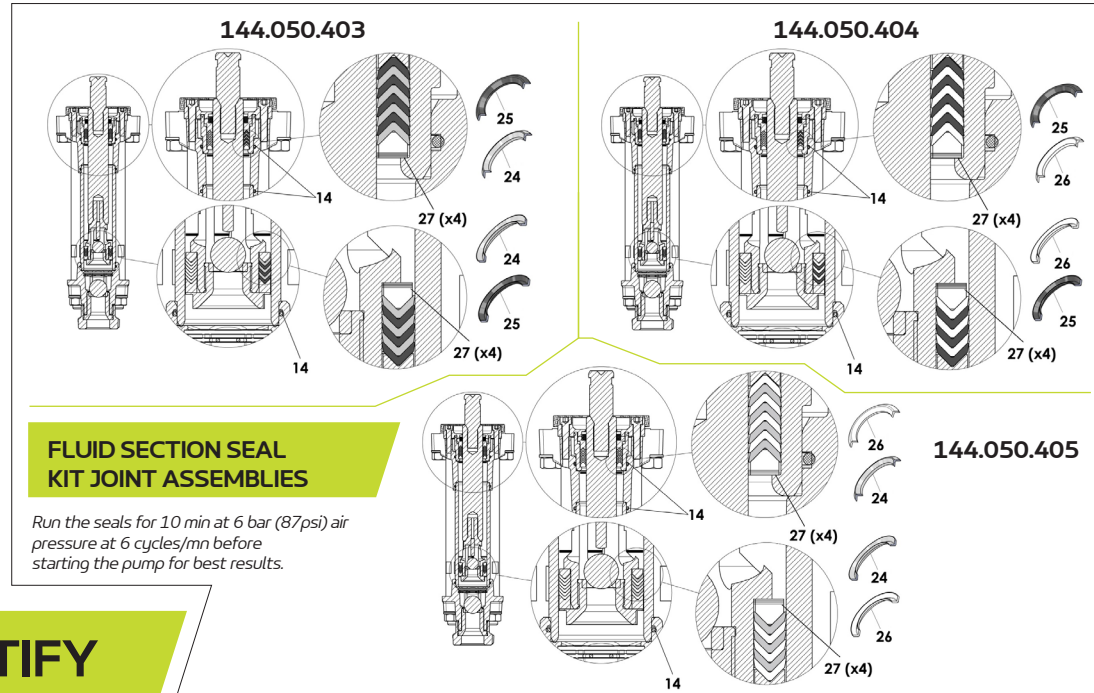
NO.	PART NUMBER	DESCRIPTION	QTY
*	144 050 413	Pack of seals	1
24	NC/NS	• Chevron seal, UHMWPE	7
25	NC/NS	• Chevron seal, leather	7
27	044 050 034	• Adjustment wedge	4
14	909 420 311	• O-ring, PTFE	3

FLUID SECTION SEAL KIT - 144 050 404

NO.	PART NUMBER	DESCRIPTION	QTY
*	144 050 414	Pack of seals	1
26	NC/NS	• Chevron seal, PTFE	7
25	NC/NS	• Chevron seal, leather	7
27	044 050 034	• Adjustment wedge	4
14	909 420 311	• O-ring, PTFE	3

FLUID SECTION SEAL KIT - 144 050 405

NO.	PART NUMBER	DESCRIPTION	QTY
*	144 050 415	Pack of seals	1
24	NC/NS	• Chevron seal, UHMWPE	7
25	NC/NS	• Chevron seal, leather	7
27	044 050 034	• Adjustment wedge	4
14	909 420 311	• O-ring, PTFE	3



FLUID SECTION SEAL KIT JOINT ASSEMBLIES

Run the seals for 10 min at 6 bar (87psi) air pressure at 6 cycles/mn before starting the pump for best results.

BOND • PROTECT • BEAUTIFY

SAMES.COM

MOTOR, MODEL 7120 PIC A			
NO.	PART NUMBER	DESCRIPTION	QTY
1	930 151 198	Screw CHc M 8x12	2
2	963 020 019	Washer ZU 8	2
3	146 371 010	Cover	1
4	901 180 024	Grounding terminal equipped	1
5	146 371 008	U-bolt	1
6	930 151 507	Screw CHc M 18x40	2
7	88 189	Screw CHc M 10x30	1
8	209 364	Cam	1
9	933 151 196	Screw CHc M 6x16	4
10	146 320 095	Bearing	2
*11	84 193	Outer bearing seal	2
*12	85 022	Inner bearing seal	2
13	146 371 013	Pulling	4
14	963 040 023	• Washer MU 12	8
15	953 010 023	• Nut HM 12	8
16	146 371 003	Flange	2
*17	909 130 378	Piston seal	1
18	205 593	Counter flange (2 parts)	1
19	209 363	Piston	1
20	205 592	Stop flange (2 parts)	1
21	88 735	Screw CHc M 8x45	6
*22	909 420 225	Piston rod seal	1
23	146 371 001	Piston rod	1
*24	84 194	Flange seal	2
25	205 209	Cylinder	1
26	104 790	Grounding terminal	1
27	90 165	Ring	1
28	205 212	Closing ring	1
29	205 211	Shell (2 parts)	1
30	209 358	Bracket	1
31	933 011 170	Screw HM 6x12	2
*32	151 800 002	Switch (x2)	1
33	963 040 012	Washer MU 4	4
34	933 151 273	Screw CHc M 4x20	4
35	905 120 983	Elbow MF T 2x4	4
36	934 081 332	Screw Hc M 6x25	4

MOTOR, MODEL 7120 continued PIC A			
NO.	PART NUMBER	DESCRIPTION	QTY
38	905 120 910	Crossing of partition	1
39	905 120 937	Tube stopper	2
40	146 371 027	Muffler support	1
*41	205 213	Base gasket	4
42	963 040 019	Washer MU 8	4
43	NC / NS	Screw CHc M 6x100	4
44	552 431	Elbow 1/4" MF	1
45	552 542	Fitting 1/4" G	1
*46	903 080 401	Relief valve	1
47	88 981	Screw CHc M 8x140	4
*48	146 371 024	Muffler foam	1
49	146 371 023	Silencer casing	1
50	905 210 710	Straight fitting MM 3/4" G	1
51	552 429	Elbow 3/4" FF	1
52	550 773	Fitting M 3/4" - M 3/4" BSP	1
*53	903 050 511	Distributor ISO 5/2 - T3	1
54	905 121 114	Crossing of partition	2
55	905 120 924	Tube stopper	1
56	905 120 957	T connection 2.7x4	1
57	NC / NS	Y connection	1
58	91 723	Clip	1
59	146 371 012	Muffler support	4
60	146 371 011	Muffler rigid foam	4
61	146 371 009	Foam support	2
62	88 153	Screw CHc M 8x30	8
63	146 371 005	Socket	1
64	552 251	Fitting 1/8" G	2
65	146 371 015	Bracket	2
66	91 424	Distributor 5/2	1
67	932 151 326	Screw CHc M 3x25	2

MOTOR SEALS KIT NOT PICTURED			
NO.	PART NUMBER	DESCRIPTION	QTY
*	146 371 040	Motor seals kit (includes 11 (x2), 12 (x2), 17 (x2), 22, 24 (x2), 41 (x4))	1

BALL FLUID SECTION, MODEL C160 PIC B			
NO.	PART NUMBER	DESCRIPTION	QTY
1	144 050 038	Cover	1
2	930 151 500	Screw CHc M 8x40	4
3	144 050 015	Flange	1
4	144 050 016	Cartridge	1
5	150 319 801	Spring	1
6	144 050 032	Spring housing	1
7	209 652	Male joint clamp	2
-	144 050 027	Assembled material piston	1
8	144 050 010	• Chrome piston	1
9	144 050 006	• Discharge valve support	1
10	906 250 011	Pin L = 30 mm	1
11	209 651	Female joint washer	1
12	87 016	Ball Ø 16 stainless steel	1
13	144 050 040	Discharge valve carbide	1
14	909 420 311	PTFE O-ring	3
15	144 050 024	Flange	1
16	NC / NS	Washer	8
17	953 010 025	Nut HM 16	8
18	144 050 014	Pulling	8
19	144 050 022	Cylinder	1
-	144 050 060	Carbide seat suct valve assem	1
23	144 050 050	• Suction valve + nut + seal	1
20	144 050 048	• Ring	1
21	NC / NS	• Valve body	1
22	87 330	• Ball Ø 30 stainless steel	1
28	050 040 309	O-ring PTEE	1

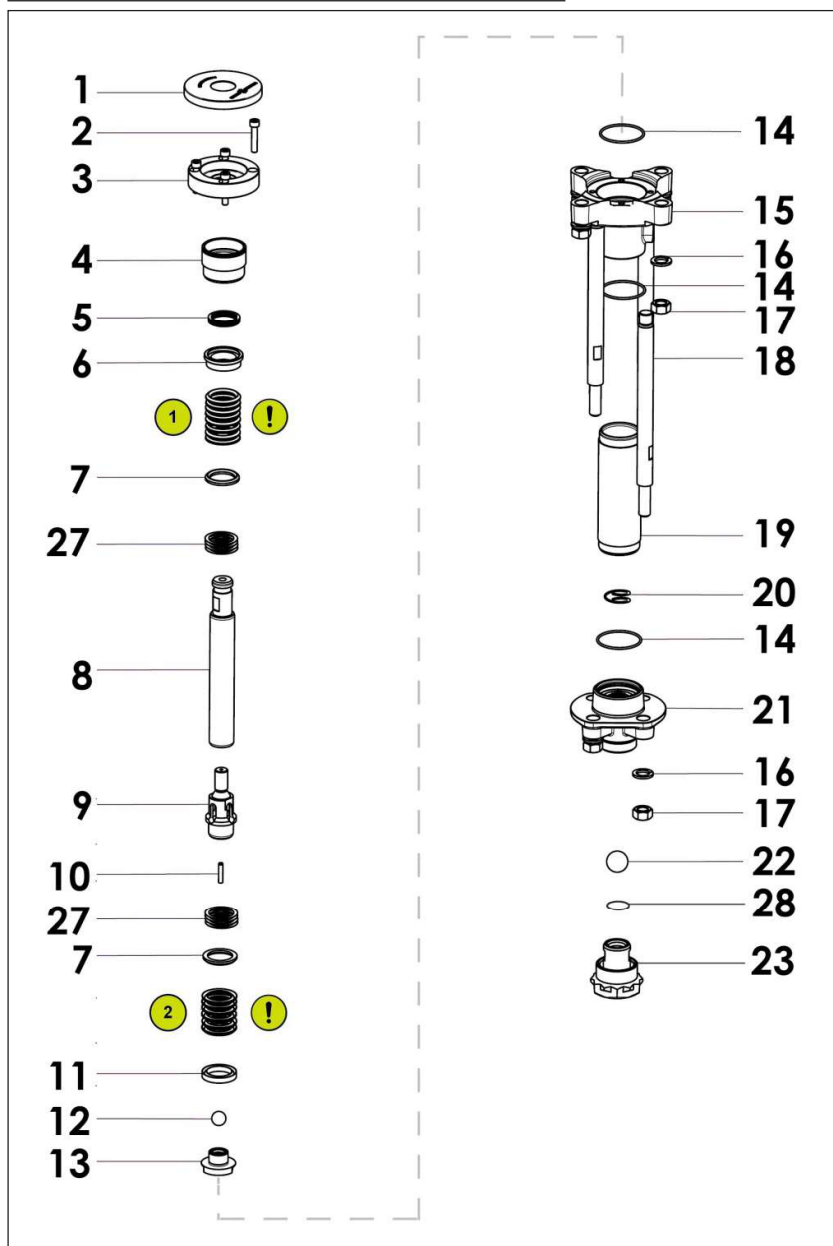
REPAIR KIT NOT PICTURED			
NO.	PART NUMBER	DESCRIPTION	QTY
*	144 050 160	Repair kit C160	1
5	150 319 701	• Spring	1
20	144 050 048	• Ring	1
22	87 330	• Ball Ø 30 stainless steel	1
23	144 050 050	• Suction valve + nut + seal	1
13	144 050 040	• Discharge valve	1
12	87 016	• Ball Ø 20 stainless steel	1
11	144 050 017	• Female joint clamp	1
7	144 050 037	• Male joint clamp	1
6	144 050 032	• Spring cartridge	1

AZUR™ 72C160 AIRLESS® PUMP

SPARE PARTS BREAKDOWN

REFERENCE FLUID SECTION SEAL KIT
144 050 403
144 050 404
144 050 405

B



* Recommended Spare Parts | NC / NS : Non-Commercially Available / Not Sold

LT 999-600-418 ©20203 Sames North America Corporation reserves the right to change without notice characteristics and services offered as well as equipment and attachments of these.