



Inogun A

FCC, Standard and Robotic Versions

Instruction manual

DRT7133

D - 2023/01

All communication or reproduction of this document, in any form whatsoever and all use or communication of its contents are forbidden without express written authorisation from **Sames**.

The descriptions and characteristics mentioned in this document are subject to change without prior notice

© Sames 2020 - translation of the original version

Sames operating manuals are written in French and translated into English, German, Spanish, Italian and Portuguese. The French version is deemed the official text and **Sames** will not be liable for the translations into other languages.

Services



Certification and referencing

Sames is certified as a training center by the DIRRECTE of the Auvergne Rhône Alpes region under the number 84 38 06768 38.

Our company provides, throughout the year, training courses allowing you to acquire the essential know-how for the implementation and maintenance of your equipment in order to guarantee its performance in the long term.

A catalog is available on request.

www.sames.com/france/fr/services-training.html



Line audits

As part of a technical assistance program for our customers using **Sames** equipment, the line audits are intended to help you optimize and control your production tool.

Our network of experts is continuously trained and qualified to provide our customers with technical expertise on the liquid or powder installations in which our equipment is integrated. The global environment of the production lines is taken into account during this technical audit.

A brochure is available for download:

www.sames.com/france/fr/services-service-contract.html



Maintenance program

An annual maintenance program (including or not the consumables to be replaced during each intervention) can be considered with the partnership of **Sames**. It is associated with a preventive maintenance plan established during a first audit visit which details the control points necessary to guarantee the performance of the installed equipment.

www.sames.com/france/fr/services-service-contract.html



Hotline

www.sames.com/france/fr/services-service-contract.html

**Inogun A
FCC, Standard and Robotic Versions**

1. Health and Safety Instructions -----	6
1.1. Configuration of the certified equipment	6
1.1.1. Applicable Standards.....	6
1.2. Marking	7
1.3. Meaning of pictograms	9
1.4. Precautions for Use	10
1.5. Warnings	10
1.6. Regulatory tests to be carried out on the equipment according to standard EN 50177	12
1.7. Important recommendations	14
1.7.1. Ventilation.....	14
1.7.2. O-ring seals	14
1.7.3. Safety devices	14
1.7.4. Mechanical collision	14
1.7.5. Ambient temperature	14
1.8. Guarantee	15
2. Introduction -----	16
3. Characteristics -----	18
3.1. Dimensions (mm), straight version	18
3.2. Dimensions (mm), gravity center for robotic versions	19
3.2.1. Robotic Single 60° Inogun A.....	19
3.2.2. Robotic Twin Convergent 60° Inogun A.....	20
3.2.3. Robotic Twin Parallel 60° Inogun A	21
3.3. Dimensions (mm), optional extended nozzles	22
3.4. Dimensions (mm), 60° and 90° nozzle adapters option	22
3.5. General characteristics	23
3.6. Air compressed quality	23
3.7. Operation	23
4. Diagrams -----	24
4.1. Electrical connections	24
5. Startup -----	25
5.1. Tools	25
5.2. Installation	26
5.2.1. Inogun A FCC FCC version	26
5.2.2. Standard Inogun A version	27
5.2.3. Installation of the counter electrode for the standard Inogun A version.....	28
5.2.4. Installation of an extended nozzle (optional).....	29
5.2.5. Installation of a 60° or 90° nozzle adapter	30
5.2.6. Robotic versions.....	31
6. Maintenance -----	32
6.1. Summary table of maintenance operations	32
6.2. Preventive maintenance plan – PMP 7133	33

6.3. Cleaning	33
6.3.1. Procedure A1: Projector cleaning.....	33
6.3.2. Procedure A2: Electrode support.....	34
6.4. Replacement	35
6.4.1. Procedure B1: Replacement of air nipple.....	35
6.4.2. Procedure B2: Holding flange.....	35
6.4.3. Procedure C1: Rear body	36
6.4.4. Procedure D1: Powder tube and penetrant testing version powder tube	37
6.4.5. Procedure D2: Protective cover assembly.....	38
6.4.6. Procedure D3: Replacement of HVU.....	39
6.4.7. Procedure E1: Replacement of o-rings and 60° and 90° elbows.....	40
7. Troubleshootings-----	42
8. Spare parts list -----	43
8.1. Inogun A FCC	44
8.1.1. Support tube assembly for Inogun FCC	45
8.2. Inogun A standard version	46
8.3. Robotic Single 60° Inogun A projector	48
8.4. Robotic Twin Convergent Inogun A projector	50
8.5. Robotic Twin Parallel Inogun A projector	52
8.6. Barrel assembly	54
8.6.1. Powder tube assembly.....	55
8.6.2. Protective cover assembly	56
8.7. Barrel assembly, penetrant testing version	57
8.7.1. Powder tube set, penetrant testing version.....	58
8.8. Holding flange assembly	59
8.9. Equipped counter electrode	60
8.10. Electrode supports	61
8.10.1. Flat spray	61
8.10.2. Optional: Extended flat spray nozzle	62
8.10.3. Round spray	66
8.10.4. Option, Extended round spray nozzles.....	67
8.11. Spray type conversion kits for extended nozzles	71
8.11.1. Kit for converting a flat spray into a round spray for extended nozzles	71
8.11.2. Kit for converting a round spray into a flat spray for extended nozzles	72
8.12. 60° and 90° nozzle adapters.....	73
8.12.1. 60° nozzle adapter.....	73
8.12.2. 90° nozzle adapter.....	74
8.13. Additional equipment	75
8.13.1. Fixing nut used with Inogun A FCC.....	75
8.13.2. Fixing nut used with Inogun A.....	75
8.13.3. Common parts	76
8.14. Robotic adapters	76
9. Revision index History -----	77
10. Appendices -----	78
10.1. Preventive maintenance plan	78
10.2. EU and UK declarations of conformity	79

1. Health and Safety Instructions

This manual contains links to the following user manuals:

- [see DRT7145](#) for the **Inobox** control module.
- [see DRT7134](#) for the **Inocontroller** control module.

1.1. Configuration of the certified equipment

The whole of these user manuals defines the configuration of the certified equipment.

1.1.1. Applicable Standards

The **Inogun A** projector has been designed according to standards indicated below:

Canadian Standards:

- CSA C22.2 No. 61010-1:12
- CSA C22.2 No. 213:19
- CSA C22.2 No. 0:20
- CSA C22.2 No. 60079-31:15 as a guide
- EN 50177:09 / A1:13 as a guide
- EN 50500-2:18 as a guide

US Standards:

- FANSI/ISA-61010-1: 3rd Ed.
- FM3600: 2018
- FM3611: 2018
- FM 7260: 2018 as a guide
- UL60079-31:2nd Ed. as a guide

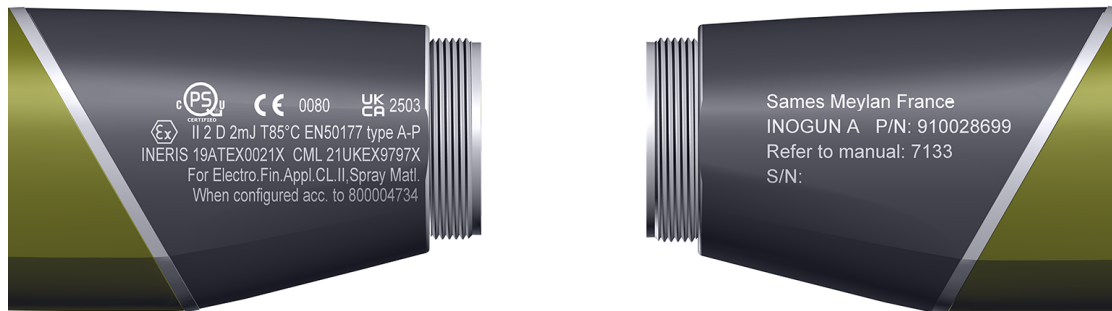
Installation:

- In **Canada**, the installation has to be in compliance with the "Code C22.1 Canadian Electrical part I, standard safety for electrical installations".
- In the **USA**, the installation has to be in compliance with "NFPA 70: National Electrical Code".

1.2. Marking

The **Inogun A** projector is classified as "A-P" according to EN50177.

Projectors marking:



The X sign placed after the EU/UK type examination certificate number indicates that this device is subject to special operating conditions:

- This equipment is intended for an ambient temperature range of 0°C to 40°C.
- During the installation, the user will take into consideration that the keypad underwent only a shock corresponding to an energy of a low risk. ([see DRT7145](#))
- The **Inobox** control module has to be protected from light.

Warning markings:

"For Electrostatic Finishing Applications using Class II, spray material when configured according to 800004734", this statement may be abbreviated to read : 'For Electro. Fin. Appl. CL. II, Spray Matl. when configured according to 800004734'.

* ATEX / UKCA Inogun A configurations

Inogun A projector - P/N 910028713 Equipped barrel - P/N 910028708 Equipped rear body - P/N 910028710 Electrode support - P/N 910027640 Low voltage cable 20 m- P/N 900017990	Inogun A FCC projector - P/N 910028715 Equipped barrel - P/N 910028708 Equipped Rear body - P/N 910028710 Electrode support - P/N 910027640 Low voltage cable 30 m- P/N 900018168	P/N Inogun A (*)	Inocontroller P/N 910028596
X		910028713	X
	X	910028715	X

Robotic versions:

Robotic Single Inogun A projector - P/N 910030100 Equipped barrel - P/N 910028708 Equipped rear body - P/N 910028710 Electrode support - P/N 910027640 Low voltage cable 18 m- P/N 900018168 Robotic support - Réf.: 900018640	Robotic Twin Convergent Inogun A projector - P/N 910030101 Equipped barrel - P/N 910028708 Equipped Rear body - P/N 910028710 Electrode support - P/N 910027640 Low voltage cable 30 m- P/N 900018168 Robotic support - Réf.: 900018581	Robotic Twin Parallel Inogun A projector - P/N 910030102 Equipped barrel - P/N 910028708 Equipped Rear body - P/N 910028710 Electrode support - P/N 910027640 Low voltage cable 30 m- P/N 900018168 Robotic support - Réf.: 900018639	P/N Inogun A (*)	Inocontroller P/N 910028596
X			910030100	X
	X		910030101	X
		X	910030102	X

1.3. Meaning of pictograms

				
Warning electricity	Warning Automatic start-up	Warning Hot surface	Warning Explosive material	General warning sign
				
Warning High pressure	Warning Crushing of hands	Warning for explosive atmospheres	Warning Flammable material	Warning Corrosive substance
				
Warning Toxic material	Warning Harmful products	No access for people with active implanted cardiac devices	Wear ear protection	Wear a face shield
				
Wear respiratory protection	Wear safety footwear	Wear protective clothing	Wear protective gloves	Wear head protection
				
Opaque eye protection must be worn	General mandatory action sign	Connect an earth terminal to the ground	Refer to Instruction manual	

1.4. Precautions for Use

This document contains information that all operators should be aware of and understand before using the projector. This information highlights situations that could result in serious damage and indicates the precautions that should be taken to avoid them.



Before any use of the Inogun A, check that all operators:



- have previously be trained by the company **Sames**, or by their distributors registered by them for this purpose.
- have read and understood the user manual and all rules for installation and operation, as laid out below.



It is the responsibility of the operators' workshop manager to ensure these two points and it is also his responsibility to make sure that all operators have read and understood the user manuals for any peripheral electrical equipment present in the powdering area.

1.5. Warnings



It is imperative that anyone wearing a pacemaker does not use the equipment and does not enter the projection area. High voltage can cause the pacemaker to malfunction.



This equipment may be hazardous if it is not used, disassembled and reassembled in accordance with the rules indicated in this manual and in any applicable European Standard or national safety regulations.



Equipment performance is only guaranteed if original spare parts distributed by Sames are used.



To guarantee an optimal assembly, spare parts must be stored in a temperature close to their temperature of use. Should the opposite occur, a sufficient waiting time must be observed before the installation, so that all the elements are assembled in the same temperature.



This equipment is intended for spraying powder paint only.



This equipment must only be used in powdering locations according to standard EN 50177 (§ 5.4 and 5.7) and EN 16985. The equipment has to be used only within ventilated in order to reduce risks for the health of the operators, fire or explosion. The efficiency of the extraction ventilation system has to be daily checked.

Within explosive atmospheres produced by the spraying process, only appropriate explosion-proof electrical equipment has to be used.

- 1 The operator must wear shoes according to standard EN ISO 20344 and the insulation resistance measured must not exceed 100 MΩ.
- 2 The protective clothes, including gloves, must conform to standard EN 1149-5 and the insulation resistance measured must not exceed 100 MΩ.
- 3 Using individual protection equipment will limit the risks of contact and/or inhalation of toxic product, gas, vapours, fog or dusts that can be produced while using the equipment. The user has to follow the coating product manufacturer's recommendations.
- 4 Contact or inhalation of the products used with this equipment may be dangerous for personnel (see: safety data sheets for the products used). The pressure coating material or compressed air must not be directed at people or animals.
- 5 The parts to be painted must have a resistance to earth less than or equal to 1 MΩ (measurement voltage of at least 500V or 1000V) (§5.7.3 in standard EN 50177). This must be checked regularly.
- 6 All conductive structures such as floors, powder spray station walls, ceilings, barriers, barriers, parts to be painted, powder dispensing tank placed in or near the work area and the ground terminal of the electro-pneumatic control module must be electrically connected to the grounding system for protecting the power supply. Finally, and for the same reasons, it will be necessary, in the spraying area, to have an antistatic floor such as bare concrete, metal grating, etc...
- 7 Switch off the power supply to the **Inocontroller** or **Inobox** before connecting the **Inogun A** projector. Before disconnecting the projector, disconnect the power supply to the **Inocontroller** or **Inobox** (otherwise, a malfunction may occur).
- 8 It is essential to properly ventilate the spray booths to avoid any powder output and to ensure a powder concentration below the lower explosive limit (LEL). The associated equipment must be placed outside the hazardous areas and its commissioning must be controlled by the operation of the cabin suction fan.
- 9 Powder spraying must be carried out in front of a ventilated station provided for this purpose. The activation of the **Inocontroller** must be controlled by the operation of the ventilation system. The correct operation of the drive must be checked once a week.
- 10 The ambient operating temperature must be between 0 and 40°C.
- 11 The electrostatic powder spraying equipment must be maintained regularly in accordance with the indications and instructions given by **Sames**. Repairs must be carried out in strict accordance with these instructions.
- 12 The electrostatic powder spraying equipment must be maintained regularly in accordance with the indications and instructions given by **Sames**. Repairs must be carried out in strict accordance with these instructions.
- 13 Before cleaning the projectors or doing any other work in the spray area, the power supply to the high-voltage generator must be disconnected, protected against restarting and the HV circuit protected. (projector) discharged to ground.
Cleaning must be carried out in mechanically ventilated areas.

14 Inside the booth it is forbidden to use naked flames, glowing objects or devices likely to produce sparks. It is also forbidden to store flammable products, or recipients that have contained them, in the vicinity of the booth. The surrounding area must be kept clear and clean.

15 In the explosive zone, it is forbidden to use non-certified electrical or non-electrical equipment such as electrical extension cords, multi-sockets, switches, etc.

A warning sign in a language understood by the operator, summarising the safety rules described above, must be prominently displayed in the vicinity of the powder spray station.

1.6. Regulatory tests to be carried out on the equipment according to standard EN 50177

The tests must be carried out on the spraying equipment. The tests must be carried out by competent personnel and include the tests described below (see § 6.2 table 3 in standard EN 50177).

Type of test	Requirements
The fixed inflammable coating powder material electrostatic coating must be tested to ensure it is safe for workers.	In this context, and particularly for the disconnection threshold, the overload current I_{Δ} and the minimum voltage U_{min} must be defined and documented in relation to the operational and local conditions (see also § 5.2.2 in standard EN50177).
Forced ventilation effectiveness (air extraction systems)	See §5.4.4 in standard EN50177
The safe high voltage disconnection must be tested for operation under controlled voltage and under constant voltage.	See 5.2.2 and 5.2.2.1 in standard EN50177. The disconnection threshold I_{Δ} must be defined and documented in relation to the operational and local conditions. It must be tested if the high voltage is disconnected and if there is an unacceptable increase in the operating current I_b and if the disconnection threshold I_{Δ} is reached. In this context, the disconnection threshold I_{Δ} defined during the initial test must be checked. A disconnection threshold I_{Δ} that may increase the possibility of dangerous discharges or electrical flashovers between the parts under high voltage and the grounded parts if the safe distance falls below its permitted value is not permitted.
3D category devices	See 5.2.2 and 5.2.2.1 in standard EN50177
2D category devices	See 5.2.2, 5.2.2.1 and 6.3 in standard EN50177

Type of test	Requirements
For the operation at constant current, the safe disconnection of the high voltage electricity supply must be tested.	See 5.2.2 and 5.2.2.2 in standard EN50177 The disconnection threshold $I_{\text{ü}}$ must be defined and documented in relation to the operational and local conditions. Checks must be carried out to ensure that the high voltage is disconnected if the high voltage falls unacceptably below the disconnection threshold U_{min} . In this context, the disconnection threshold U_{min} defined during the initial test must be checked. A disconnection threshold U_{min} that may increase the possibility of dangerous discharges or electrical flashovers between the parts under high voltage and the grounded parts if the safe distance falls below its permitted value is not permitted.
3D category devices	See 5.2.2 et 5.2.2.2 in standard EN50177
2D category devices	See 5.2.2, 5.2.2.2 et 6.3 in standard EN50177
Protection against discharge energy which is too high	See 5.2.3 in standard EN50177
Protection against cleaning product inflammation	See 5.2.4. in standard EN50177
Effectiveness of the protection measures against direct contact	See 5.5.2 in standard EN50177
Effectiveness of the earthing measures	See 5.7 in standard EN50177
Slaving / protection against inputs	See 5.5.2 in standard EN50177
Effectiveness of the local fire extinguishing system	See 5.2.5. in standard EN50177 In addition to the location's protection system, local fire extinguishing systems (fixed and dedicated to the object)) must provide effective protection for the dangerous zone located between the output from the coating powder and the part to be processed. It must be proven for each individual case that the roles of the local fire extinguishing systems and the location's protection systems may be satisfied by a single extinguishing system.
Other tests	in accordance with standard EN 16985:2018.

These tests must be carried out periodically The following maximum intervals between tests are recommended (see § 7.2.3 table 4 in standard EN 50177).

Reference	Test frequency
Complete installation safety test in relation to workers	12 months
Forced ventilation effectiveness	in continuous
Disconnection in the event of an overload current	after each start-up
Low voltage disconnection	after each start-up
Discharge energy	weekly
Protection against cleaning product inflammation	before each cleaning
Protection against direct contact	weekly
Earthing measures	weekly
Protection against inputs	weekly
Site's fire extinguishing system	6 months
Other tests	in accordance with standard EN 16985:2018

1.7. Important recommendations

1.7.1. Ventilation

Do not start the powder application with the **Inogun A** projector until the spray booth ventilation system is switched on. If the ventilation is switched off, toxic substances or dust may remain in the spray booth and cause a risk of fire, poisoning or irritation.

1.7.2. O-ring seals

Use the seals recommended in this manual.

1.7.3. Safety devices

When installing the projector, safety devices must be provided.

- Detection of control system faults.
- Detection of high voltage surges associated with the **Sames** HV generator.
- Detection of air pressure drops.
- Detection of ventilation failure.
- Detection of variations in ventilation flow rates.
- Detection of fire.

Failure to install safety devices could result in a risk of fire, expose the personnel to serious injury and damage the equipment.



The electrostatic projection systems must be equipped with an automatic fire extinguishing system (according to § 5.2.5 in standard EN 50177).

1.7.4. Mechanical collision

The guarantee does not cover damage resulting from the operating environment (for example: collision with the robot).

1.7.5. Ambient temperature

The atomizer is designed to normally operate at an ambient temperature comprised between 0°C and + 40°C. The storage temperature must never exceed +60°C.

1.8. Guarantee

Under the guarantee, which applies only to the buyer, **Sames** agrees to repair operating faults resulting from a design fault, materials or manufacture, under the conditions set out below.

The guarantee claim must define the exact nature of the fault concerned, in writing.

The **Sames** guarantee only covers equipment that has been serviced and cleaned according to standard procedures and our own instructions, that has been fitted with parts approved by SAMES KREMLIN or that has not been modified by the customer.

More precisely, the guarantee does not cover damage resulting from:

- the customer's negligence or inattention,
- incorrect use,
- failure to follow procedures,
- use of a control system not designed by **Sames** or a **Sames** control system modified by a third party without written permission from an authorized **Sames** technical agent,
- accidents such as: collision with external objects, or similar events,
- flooding, earthquake, fire or similar events,
- use of seals not complying with **Sames** recommendations,
- pollution of air circuits by fluids or substances other than air.

The **Sames** gun type **Inogun A** is covered by a warranty (refer to the general sales conditions for its application).

The guarantee does not apply to wearing parts such as electrode supports, deflectors, powder tube, seals, etc...

The guarantee will take effect from the date of the first start-up or of the provisional acceptance report.

Under no circumstances, either in the context of this guarantee or in other contexts, will **Sames** be held responsible for physical injury or intangible damage, damage to brand image and loss of production resulting directly from its products.

2. Introduction

The **Inogun A** projector is an automatic projector designed to project powder paint. An ionizing electrode at the end of the projector is set to a high negative electrical potential. Due to the high electric field at the end of this electrode, it creates negative gas ions. These ions allow the powder paint to be sprayed during its transfer from the end of the projector to the part to be painted, which is itself connected to the ground.

The **Inogun A** projector is connected to an **Inocontroller** or **Inobox** control module that controls both the high voltage and the powder output of the projector connected to it. These two indissociable elements constitute a powder coating equipment.

Pre-programmed voltage and current settings can be adjusted from the **Inocontroller** or **Inobox** control module.

Inogun A projectors are of two types:

- The FCC **Inogun A** projector is used in a powder coating booth with quick colour change.
- The **Inogun A** projector in the standard version is used in all other cases. It can be installed either on a reciprocator robot via its support arm or on a 6-axis robot via a robotic support.

There are 3 versions of robotic support:

- 60° support for a projector.
- Twin convergent 60° support for two projectors
- 60° Twin parallel 60° support for two projectors.

Inogun A FCC



Inogun A



Robotic Single Inogun A



Robotic Twin Convergent Inogun A

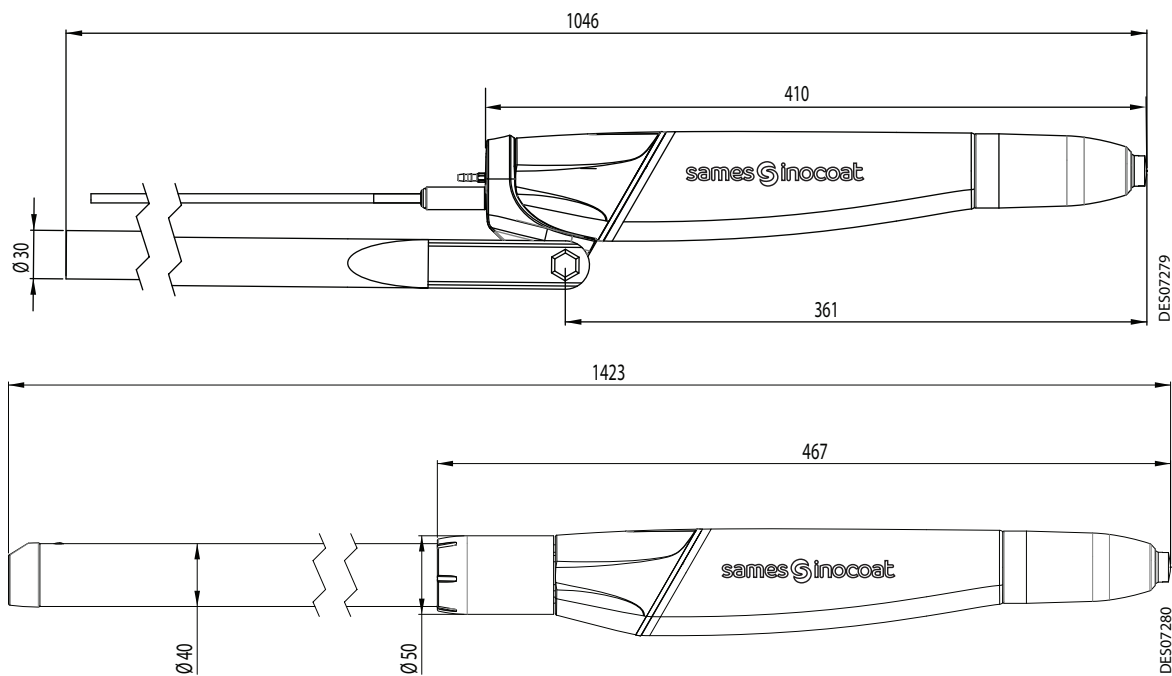


Robotic Twin Parallel Inogun A



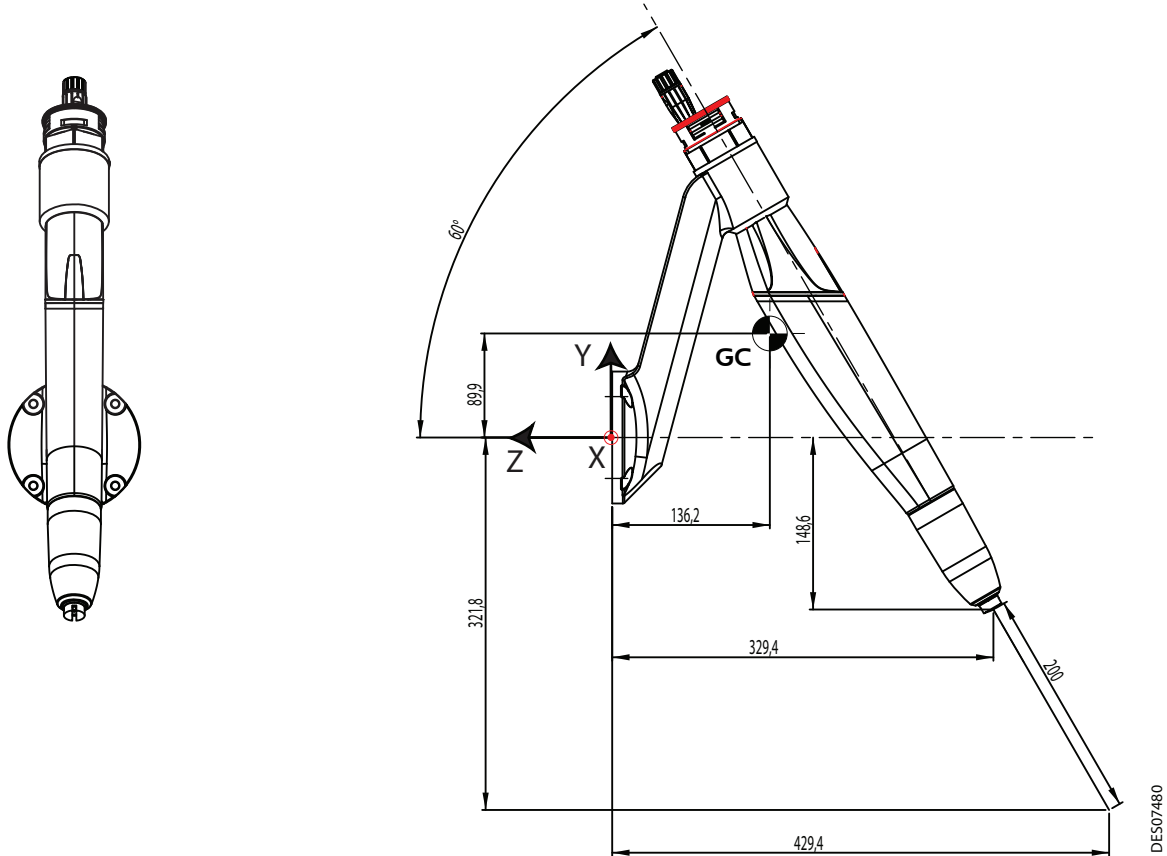
3. Characteristics

3.1. Dimensions (mm), straight version



3.2. Dimensions (mm), gravity center for robotic versions

3.2.1. Robotic Single 60° Inogun A



:Output C.S: Wrist Payload CG location

Weight: 1.19 kg

Gravity center (GC) in millimeters:

X = 0
Y = 89.9
Z = - 136.2

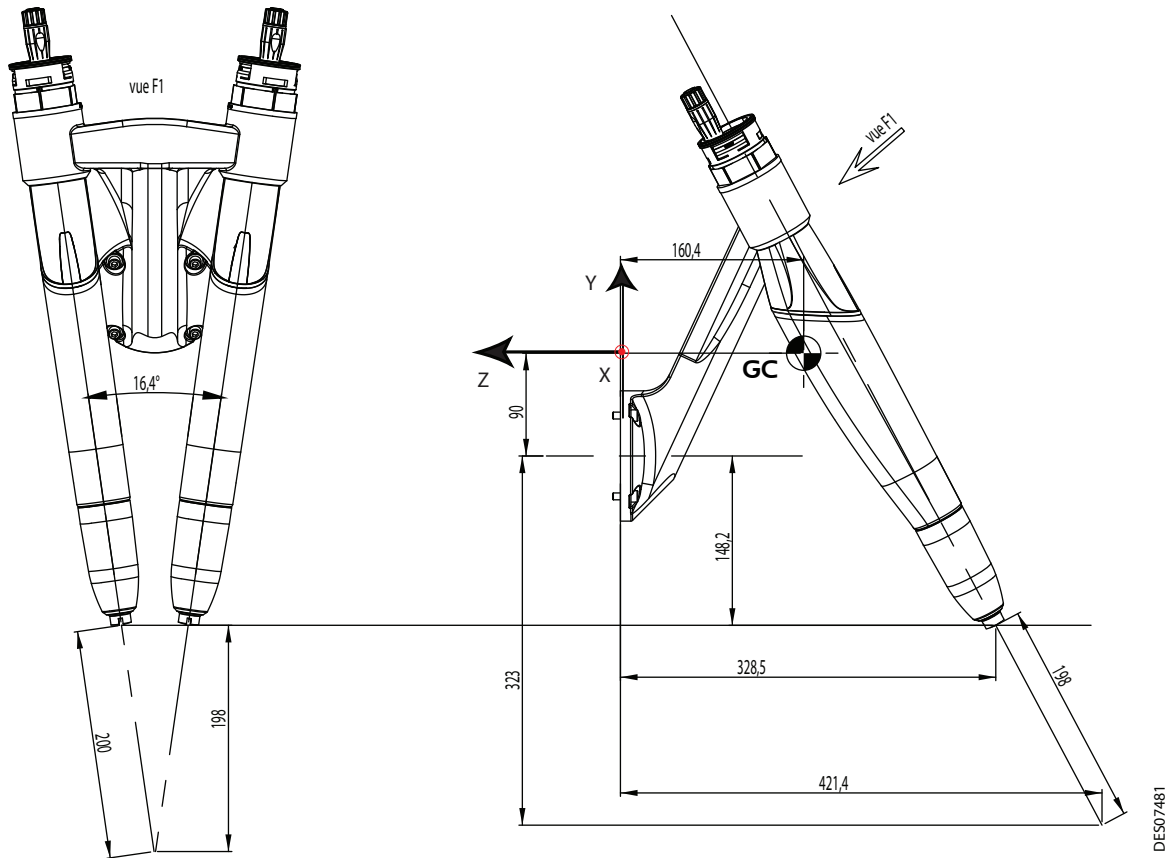
Main inertia axis and moments (kg x mm²) measured to the gravity center:

$I_x = (0.00, -0.75, -0.67)$	$P_x = 6123.60$
$I_y = (0.00, -0.67, -0.75)$	$P_y = 11078.18$
$I_z = (1.00, 0.00, 0.00)$	$P_z = 16650.18$

Inertia moments (kg x mm²), measured to the output C.S:

$I_{xx} = 39039.37$	$I_{xy} = -8.31$	$I_{xz} = -49.82$
$I_{yx} = 8.31$	$I_{yy} = 25686.81$	$I_{yz} = -6875.53$
$I_{zx} = -49.82$	$I_{zy} = -6875.53$	$I_{zz} = 13904.36$

3.2.2. Robotic Twin Convergent 60° Inogun A



Output C.S: Wrist Payload CG location

Weight : 2.2 kg

Gravity center (**GC**) in millimeters:

X = 0

Y = - 90

Z = - 160.4

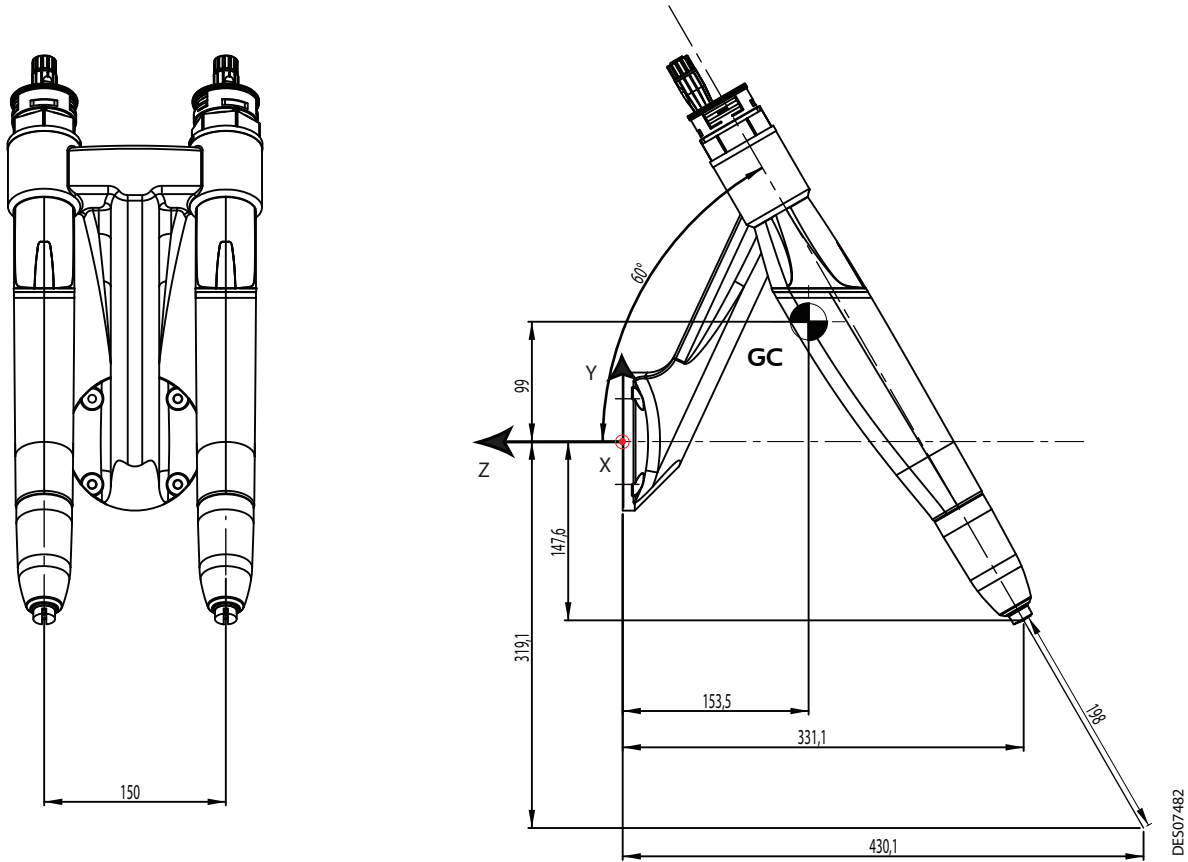
Main inertia axis and moments (kg x mm²) measured to the gravity center:

$I_x = (-0.01, -0.88, 0.48)$	$P_x = 14739.80$
$I_y = (-0.03, 0.48, 0.88)$	$P_y = 29969.01$
$I_z = (-1.00, -0.01, -0.03)$	$P_z = 30163.49$

Inertia moments (kg x mm²), measured to the output C.S:

$I_{xx} = 89717,61$	$I_{xy} = 96,04$	$I_{xz} = -92,70$
$I_{yx} = 96,04$	$I_{yy} = 63587,90$	$I_{yz} = 18975,02$
$I_{zx} = -92,70$	$I_{zy} = 18975,02$	$I_{zz} = 40677,$

3.2.3. Robotic Twin Parallel 60° Inogun A



Output C.S: Wrist Payload CG location

Weight: 2.16 kg
Gravity center (**GC**) in millimeters:
X = 0
Y = 99
Z = - 153.5

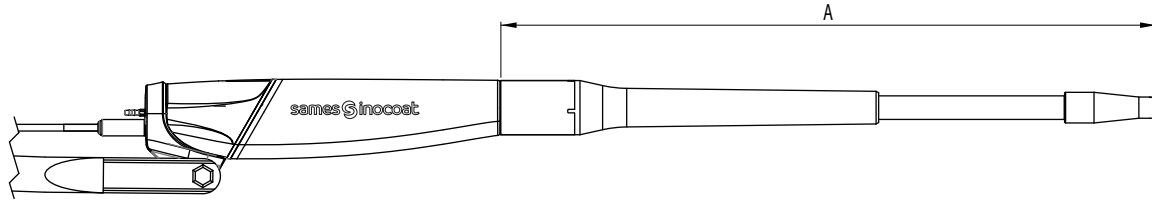
Main inertia axis and moments (kg x mm²) measured to the gravity center:

$I_x = (0.00, -0.86, -0.50)$	$P_x = 16093.73$
$I_y = (-1.00, -0.02, 0.03)$	$P_y = 32002.20$
$I_z = (-0.04, 0.50, -0.86)$	$P_z = 32387.88$

Inertia moments (kg x mm²), measured to the output C.S:

$I_{xx} = 89532.18$	$I_{xy} = -5.02$	$I_{xz} = -91.02$
$I_{yx} = -5.02$	$I_{yy} = 62591.53$	$I_{yz} = -18416.00$
$I_{zx} = -91.02$	$I_{zy} = -18416.00$	$I_{zz} = 43719.47$

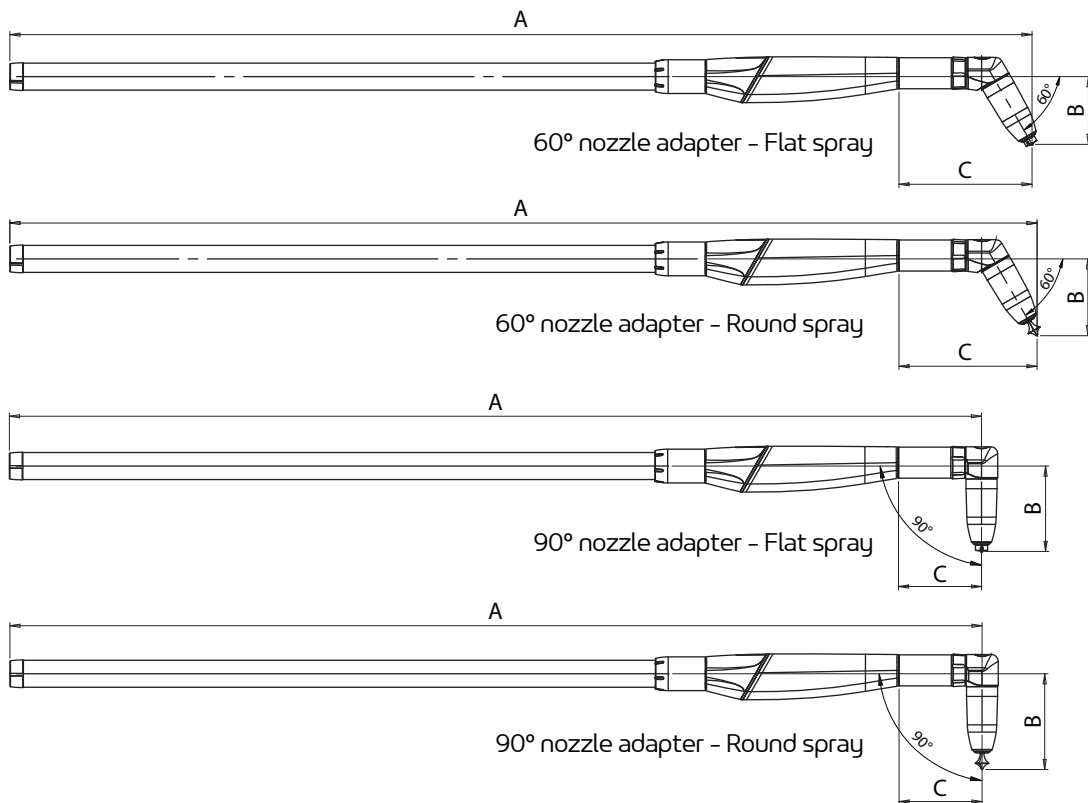
3.3. Dimensions (mm), optional extended nozzles



DES08420

Length of nozzles (mm)	150	300	450	600	1050
A (mm) - Flat spray	256	406	556	706	
A (mm) - Round spray	273	423	573	723	873

3.4. Dimensions (mm), 60° and 90° nozzle adapters option



DES08421

Dimensions (mm)	A	B	C
60° nozzle adapter - Flat spray	1515	100	197
90° nozzle adapter - Flat spray	1441	127	123
60° nozzle adapter - Round spray	1522	114	205
90° nozzle adapter - Round spray	1441	142	123

3.5. General characteristics

Inogun A projector	
Ambient temperature during operations	0° to 40°C
Maximum output voltage	100 kV (0 kV, -10 kV)
Max. output current	110 µA (+ ou - 10 µA)
High voltage unit capacity	60 pF
Air pressure (electrode blowing)	< 1 bar
Projector weight (cable and plug included)	0.85 kg
Robotic version projector weight with a single support	1.19 kg
Robotic version projector weight with double convergent support	2.2 kg
Robotic version projector weight with double parallel support	2.16 kg
Maximum operating altitude	2000 m
Maximum relative humidity of 80% for temperatures up to 31°C, and linear decrease to 50% relative humidity at 40°C.	maximum 80% non-condensing
Storage / Transport	
Storage duration	Max. 2 years
Minimum/maximum storage temperature	-10°C + 45°C
Humidity	95% non-condensing
Min. pressure	750 mBar
Exposure to UV radiation	Stored away from light
Exposure to ionizing radiation	Not admitted

3.6. Air compressed quality

Maximum dew point at 6 bar (87 psi)	Class 4 i.e + 3°C (37°F)
Maximum particle-size of solid pollutants	Class 3 i.e 5 µm
Maximum oil concentration	Class 1 i.e 0,01 mg/m03 *
Maximum concentration of solid pollutants	Class 3 i.e 5 mg/m03 *

*: Values are given for a temperature of 20 °C (68 °F) at an atmospheric pressure of 1 013 mbar



Non-compliance with these characteristics may result in incorrect operation of the Inocontroller or Inobox control modules.



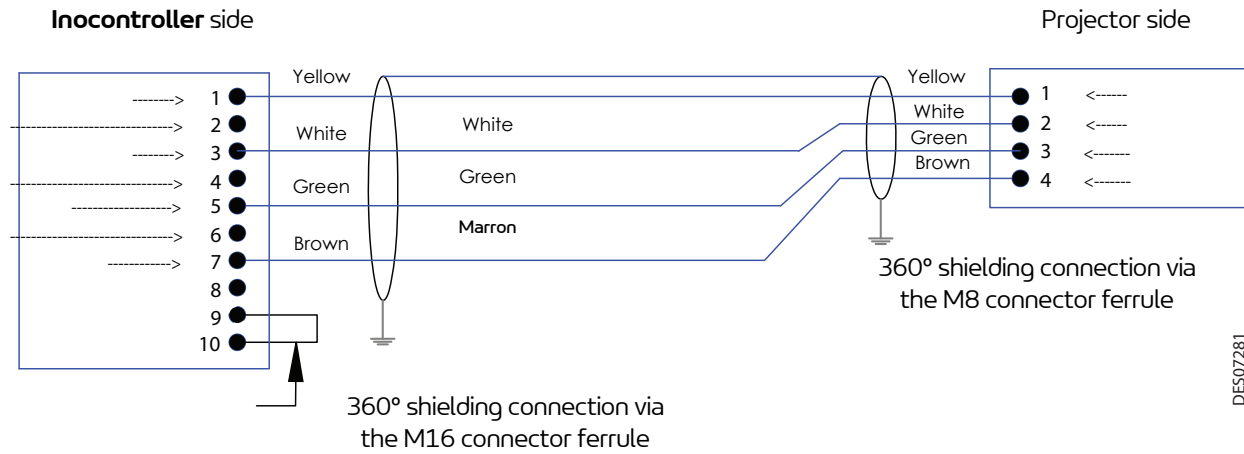
A 5 µm filter must be installed upstream of the compressed air supply of the Inocontroller or Inobox control modules. This filter is sized according to the size of the installation. Sames recommends using a filter of the type indicated in the section ([see § 8.13 page 75](#)). In the event of damage to the equipment due to the use of polluted air, the warranty may not be applied.

3.7. Operation

The **Inogun A** projector is connected to an **Inocontroller** ([see DRT7134](#)) or **Inobox** ([see DRT7145](#)) control module. This module provides the low voltage and high frequency power supply necessary for the operation of the high voltage unit integrated in the **Inogun A** projector and allows the powder supply to the projector.

4. Diagrams

4.1. Electrical connections



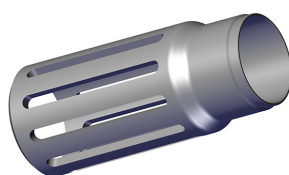
Pin	10-pin connector Inocontroller or Inobox side	Pin	4-pin connector Inogun A side
1	Primary 1 HVU	1	HVU 1-Primary
2	Not connected		
3	HVU 2-Primary	2	HVU 2-Primary
4	Not connected		
5	Ground	3	Ground
6	Not connected		
7	I HVU return	4	I HVU return
8			
9	Inogun A recognition bridge		
10	automatic		

5. Startup

5.1. Tools



P/N	Description	Qty	Unit of sale
H1GSYN037	Dielectric grease for high voltage unit (100 ml)	1	1



P/N	Description	Qty	Unit of sale
900019908	Split ring removal tool for 60° and 90° nozzle adapter	1	1



P/N	Description	Qty	Unit of sale
900018752	Inogun HV contact o-ring installation tool	1	1



P/N	Description	Qty	Unit of sale
900018753	Inogun air nipple seal assembly tool	1	1

Additional tools and accessories required:

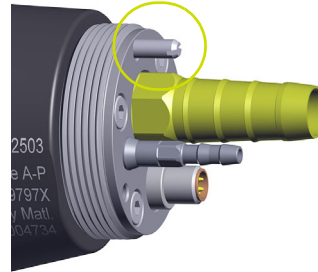
The tools listed below should be available for product installation and maintenance operations.

- Screwdriver(0,6x3,5).
- Phillips screwdriver (0x75).
- 5 mm hexagonal screwdriver.
- Allen wrench (3mm).
- Torque wrench.
- Open-end wrench (13 mm).
- Tube wrench (14 mm).
- Multigrip pliers.

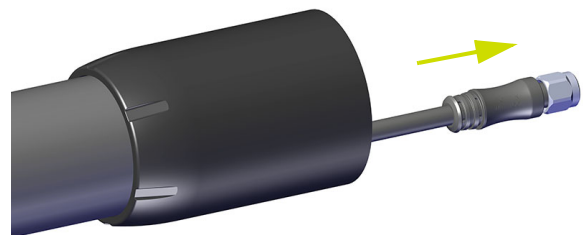
5.2. Installation

5.2.1. Inogun A FCC FCC version

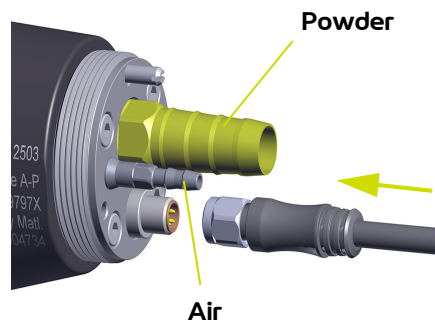
- Place the index pin on the holding flange.



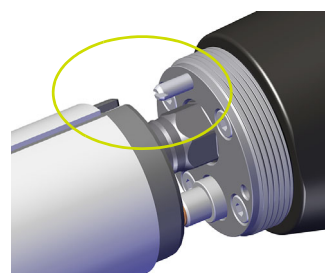
- Pass the LV cable through the support tube.



- Manually connect the LV cable and the air and powder hoses to the projector.



- Align the tube with the index pin.



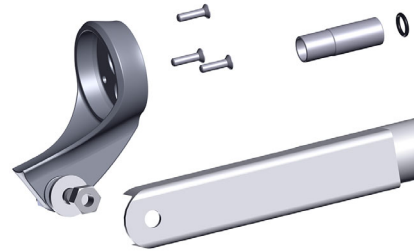
then tighten the nut.



5.2.2. Standard Inogun A version

Assembling

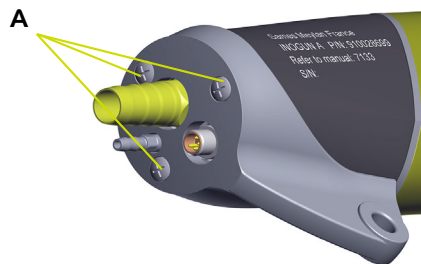
- Place the rear support on the holding flange.



- Secure with the 3 screws M4 x16 (A).



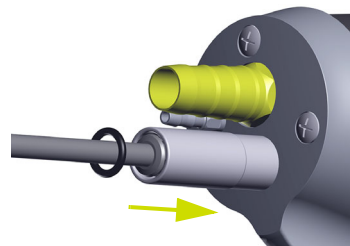
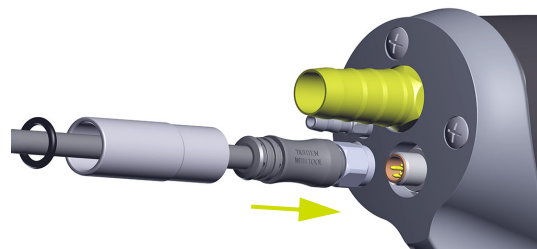
- Place the O-ring and sleeve on the LV cable.



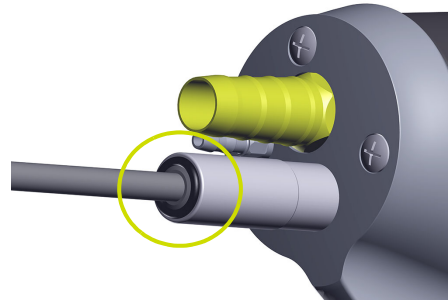
- Manually connect the cable to the projector.



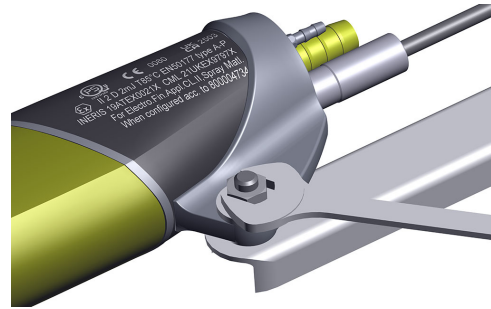
- Insert the sleeve into the rear support.



- Push the seal back into the groove of the connector to hold it in position.



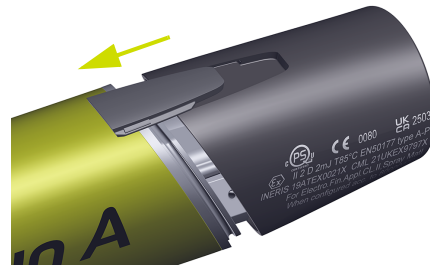
- Screw the rear support onto the support tube using a 13 mm open-end wrench.



- Connect the air and powder hoses to the projector.

5.2.3. Installation of the counter electrode for the **standard Inogun A** version

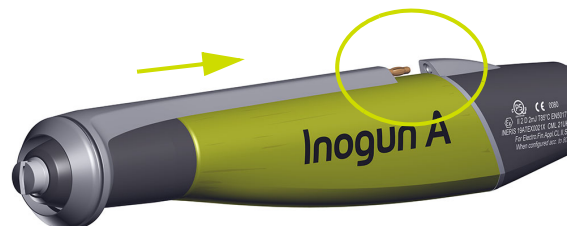
- Remove the holding flange ([see § 6.4.2 page 35](#)).
- Separate the rear body from the projector to release the cap.



- Install the counter electrode connection instead. Push back the rear body thus equipped and replace the holding flange.



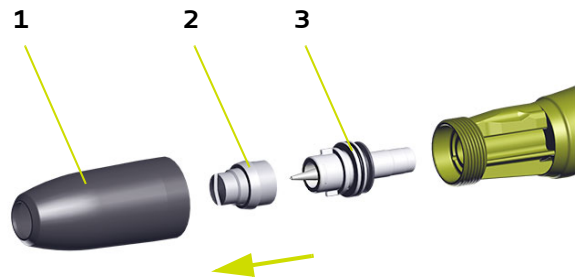
- Place the counter electrode on the projector equipped with the deflector and nozzle nut and connect it.



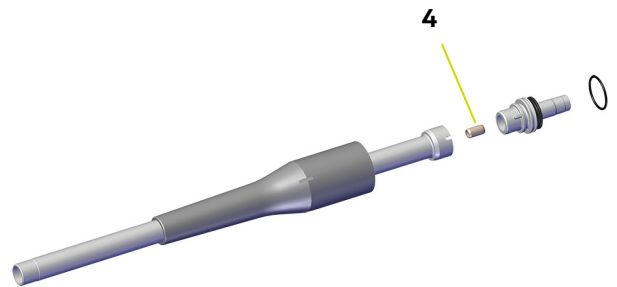
5.2.4. Installation of an extended nozzle (optional)

The **Inogun A** gun can be equipped with optional extended nozzles for flat spray and round spray ([see § 8.10.2 page 57](#) and [see § 8.10.4 page 67](#)).

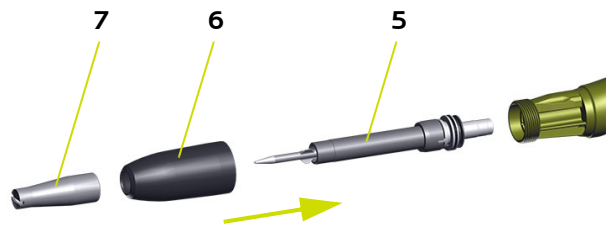
- Switch off high voltage,
- **Step 1:** Manually unscrew the nozzle nut (1).
- **Step 2:** Remove the electrode support assembly (3) and its deflector (2) flat spray or round spray.



When installing an extended nozzle from length 450 mm, it is imperative to check the installation of the reinforcing sleeve (4) (ref.: 900020899) on the reinforced electrode support ([see § 8.10.3 page 66](#)).



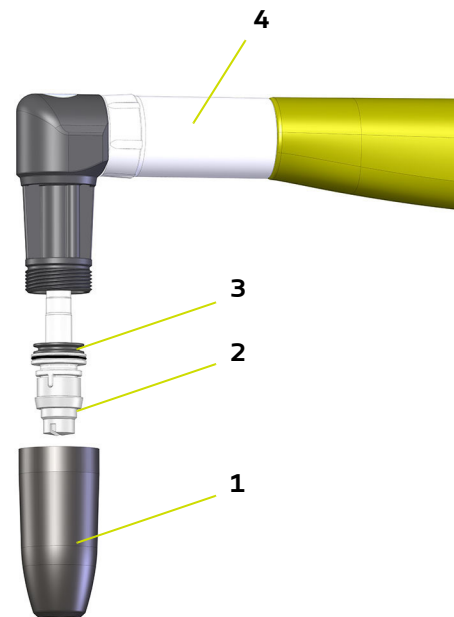
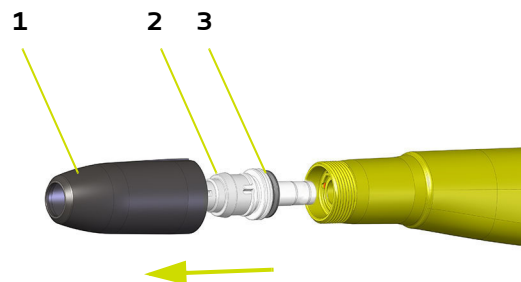
- **Step 3:** Install the extended nozzle assembly (5) into the projector barrel.
- **Step 4:** Screw on the new extended nozzle nut (6) by hand.
- **Step 5:** Install the deflector (7).
- Restart the high voltage supply.



5.2.5. Installation of a 60° or 90° nozzle adapter

The **Inogun A** gun can be equipped with optional 60° and 90° nozzle adapters for flat spray and round spray ([see § 8.12 page 73](#)).

- Switch off high voltage,
- **Step 1:** Manually unscrew the nozzle nut (1).
- **Step 2:** Remove the electrode support assembly (3) and its deflector (2) flat spray or round spray.
- **Step 3:** Screw the nut(4) of the 60° or 90° nozzle adapter onto the barrel of the **Inogun A**.
- **Step 4:** Install the electrode support assembly (3) and its deflector (2) flat spray or round spray on the 60° or 90° nozzle adapter.
- **Step 5:** Screw the nozzle nut (1) onto the adapter by hand.
- Restart the high voltage supply.



5.2.6. Robotic versions

- Pass the low-voltage cable as well as the air and powder hoses through the sheath, then the coupling and the robotic support.
- Place the O-ring and sleeve on the LV cable. Manually connect the LV cable and then the air and powder hoses to the projector.
- Place the robotic support on the projector and secure with the 3 screws (F/90 HC M4 x 20).
- Screw the coupling onto the robotic support.
- Push the sheath into the fitting.



6. Maintenance

Preventive maintenance is an essential part of production and ensures the reliability of the installation. As a reminder, the performance of equipment can only be guaranteed if a minimum of control and cleaning operations are performed on this equipment.



Soiling and wear of the Inogun A projectors caused by the passage of powder depend on the operating and application conditions and the production rates



Switch off the power supply to the control module before connecting the spray gun. Before disconnecting the spray gun, switch off, disconnect the power supply to the Inocontroller or Inobox (otherwise, a malfunction may occur).

6.1. Summary table of maintenance operations

The maintenance intervals indicated in the procedures below are only indicative. The user will have to create his own maintenance schedule as he use **Sames** equipment.

Procedure		Detail	Duration	Frequency
Cleaning				
A	A1	Cleaning of projector exterior	2 min	8 hours
	A2	Cleaning of electrode support and deflector	2 min	8 hours
Replacement				
B	Holding flange maintenance			
	B1	Replacement of air nipple	2 min	-
	B2	Replacement of o-ring	2 min	-
C	Rear body maintenance			
	C1	Replacement	5 min	-
D	Gun assembly maintenance			
	D1	Powder tube and penetrant testing version powder tube	2 min	-
	D2	Protective cover assembly	2 min	-
	D3	Replacement of HVU	5 min	-
E	Maintenance of 60° and 90° nozzle adapters			
	E1	Replacement of o-rings and 60° and 90° elbows	5 min	-

6.2. Preventive maintenance plan – PMP 7133

[see § 10.1 page 78](#)

The objective of the proposed preventive maintenance plan is to define in an exhaustive way, the verification, replacement and cleaning actions of the installed **Sames** equipment.

In order to anticipate breakdowns and malfunctions that may be due to technical deviations of the installation, the preventive maintenance plan attached to the user manual lists the routine maintenance operations necessary for better comfort in the use of the production tool.

Depending on the skills, area of responsibility and accreditation of each person involved, the preventive maintenance plan can be divided into two distinct levels: level 1 and level 2:

- **Level 1:** first level maintenance is essentially composed of visual control and cleaning operations of some elements of the equipment. To limit this level, only the specific tools supplied with the equipment will be used. This first level of maintenance is generally taken care of by paint operators or installation managers.
- **Level 2:** second level maintenance completes the first level by more complex dismantling operations requiring electrical engineering tools. This second level is generally handled by the factory maintenance department.

6.3. Cleaning

These maintenance operations can be performed online. Before any intervention, refer to the health and safety instructions ([see § 1.4 page 10](#)).

6.3.1. Procedure A1: Projector cleaning



Always wear safety glasses.



When handling powder, wear gloves of a suitable resistant material



Work in a well ventilated area.

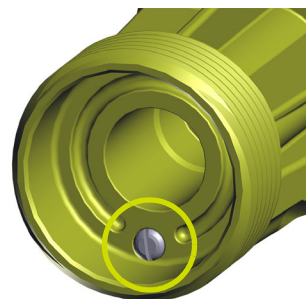
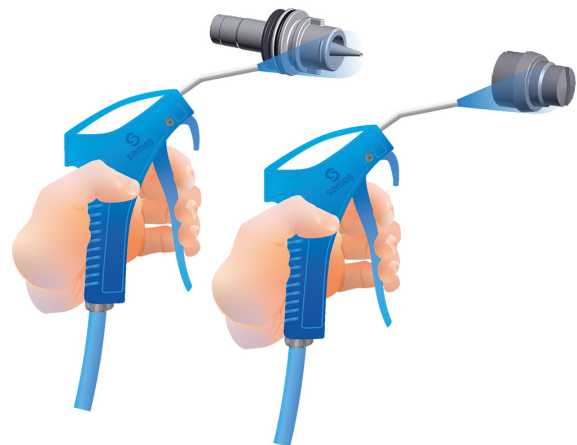
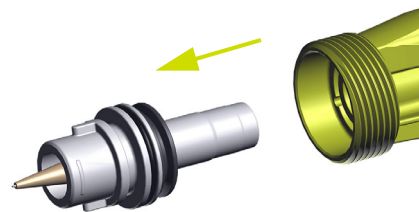


**All cleaning operations should only be carried out with compressed air expanded to a maximum pressure of 2.5 bar, a cloth or possibly a brush.
Never use water or solvents to clean the equipment.**

- Clean the projector with compressed air every 8 hours..

6.3.2. Procedure A2: Electrode support.

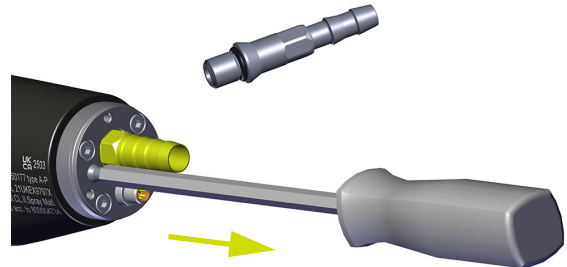
- Switch off high voltage,
- **Step 1:** Manually unscrew the nozzle nut then remove the deflector.
- **Step 2:** Remove the electrode support.
- **Step 3:** Clean the electrode support with compressed air and also the deflector. Make sure that there is no accumulation of powder.
- **Step 4:** Clean the powder passage duct by blowing with compressed air.
- **Step 5:** Before reassembling the electrode support, clean the electrical contact with compressed air located in the gun.



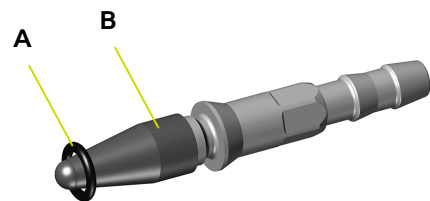
6.4. Replacement

6.4.1. Procedure B1: Replacement of air nipple

- **Step 1:** If the projector falls, check the condition of the air nipple:
- **Step 2:** Unscrew the air nipple with a 5 mm hexagon wrench. Replace if necessary.

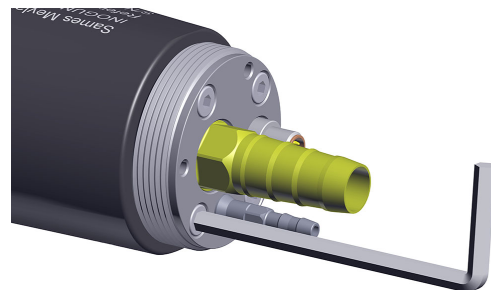


When replacing the O-ring (A), for reassembly, use the seal assembly tool (B) (P/N: 900018753).



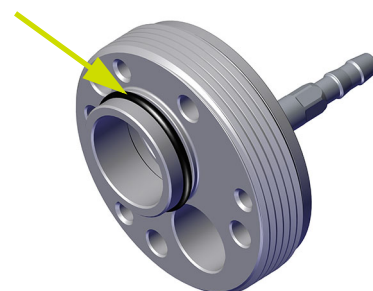
6.4.2. Procedure B2: Holding flange

- Unscrew the 4 M4x 20 screws with a 3 mm allen wrench and remove the holding flange from the rear body.



Check the condition of the O-Ring, replace it if necessary.

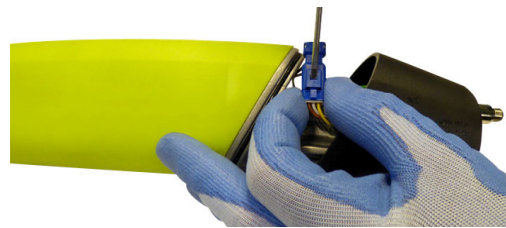
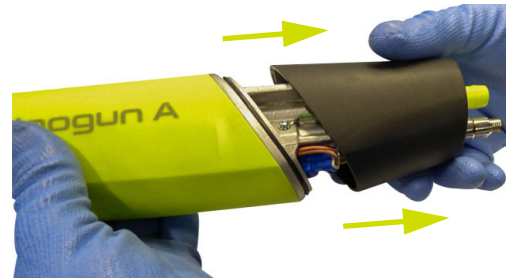
- For reassembly, tighten the screws crosswise and then tighten to 2,5 N.m.



6.4.3. Procedure C1: Rear body

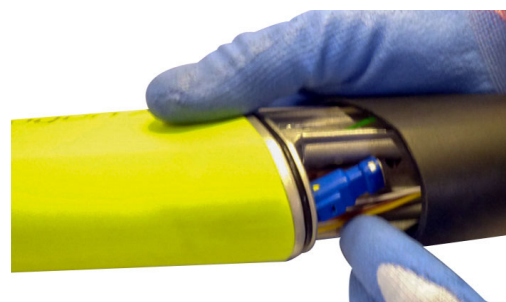
Removal:

- Gently fire to separate the rear body from the gun.
- Disengage the connector using a small screwdriver of 3 to press the tab.
- Loosen the ground screw.
- Check the general condition, wires, terminal and connector, replace the rear body if necessary.



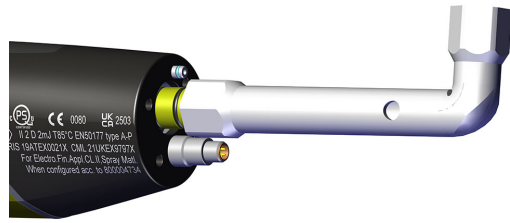
Installation:

- Replace the rear body, taking care not to pinch the wires.
Connect the ground wire, press the wire against the protective cover assembly..
- Connect the blue connector.
- Twist the blue connector 1/4 turn to position it longitudinally in the protective cover.
The wiring makes a "S".
- Then push the rear body against the gun.
- Using an ohmmeter, test the continuity between the HV contact and the protective cover.

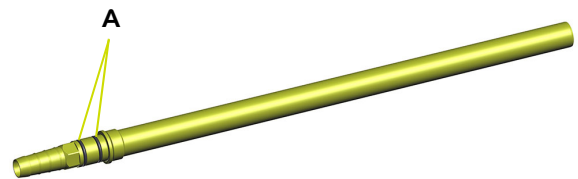


6.4.4. Procedure D1: Powder tube and penetrant testing version powder tube

- Start unscrewing the powder tube with a 14 mm pipe wrench, then continue manually.
- Extract the powder tube from the projector.
- Clean the inside of the powder tube with compressed air, possibly the outside.



- Check the condition of the O-rings (A) and powder tube, replace if necessary.

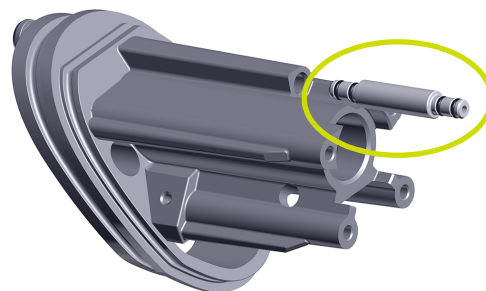
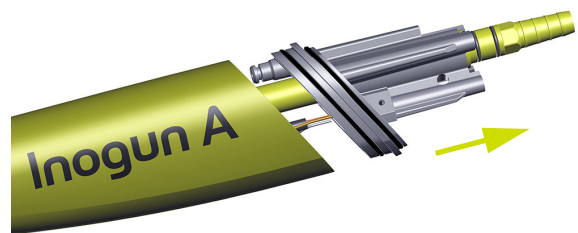


- Before reassembling the powder tube, blow its housing in the direction of rear body towards the outside of the projector.
- Insert the tube into the projector, it automatically positions itself and pushes it to the stop.
- Tighten manually and then continue tightening with the 14 mm pipe wrench.

6.4.5. Procedure D2: Protective cover assembly

Disassembly:

- Using a long cross-head screwdriver, loosen the 2 PT 40x 30 screws.
- Pull to remove the protective cover assembly.
- Check the condition of the O-rings, replace if necessary.
- Remove the electrode blowing duct, check its condition, replace if necessary.



Reassembly:

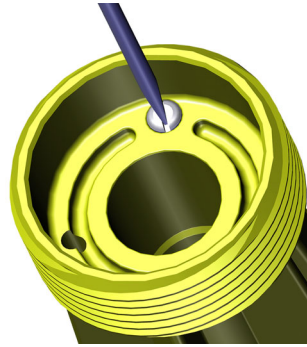


For the reassembly of the protective cover, it is imperative that the powder tube has been removed beforehand.

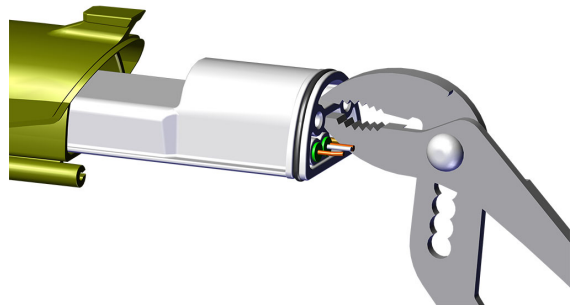
- Proceed in the reverse order: position the protective cover on the gun,
- Put the 2 PT 40x 30 screws in place and tighten to 75 cN.m.

6.4.6. Procedure D3: Replacement of HVU

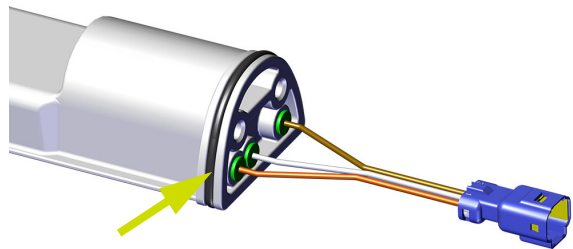
- Unscrew the HV contact.



- Using a multigrip pliers, extract the HVU from the gun.

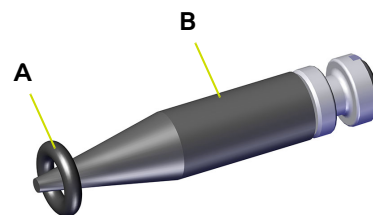


- Replace the HVU, apply a light coat of dielectric grease (P/N H1GSYN037) to the seal of the new HVU.
- Position the HVU in the barrel and push it to the stop.

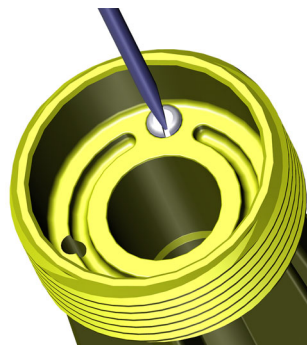


- Check the condition of the contact o-ring. Replace it if necessary.

If replacing the O-ring (A), when reassembling, use the seal assembly tool (B) (P/N: 900018752).

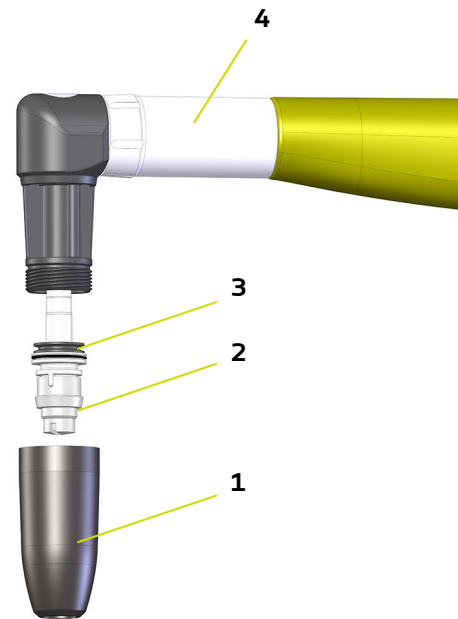


- Place a plug with a layer of dielectric grease on the HV contact seal. Screw it to the contact + 1/4 turn. Make sure to leave a slight protrusion of the screw head in relation to the surface of the barrel.

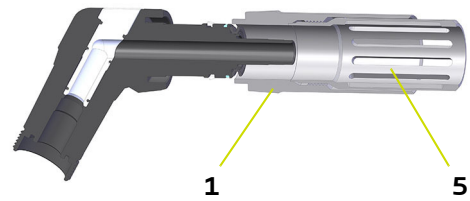


6.4.7. Procedure E1: Replacement of o-rings and 60° and 90° elbows

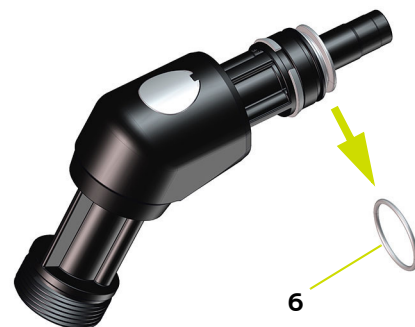
- Unscrew the nozzle nut (4) on the 60° or 90° nozzle adapter by hand.
- Remove the electrode support assembly (2) and its deflector (3) flat spray or round spray from the 60° or 90° nozzle adapter.
- Unscrew the swivel nozzle nut (1) and remove the nozzle adapter from the barrel.



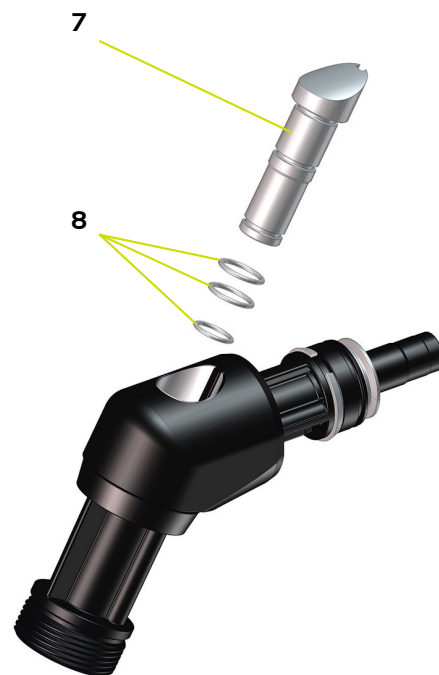
- Insert the split ring removal tool (5) (P/N: 900019908) into the swivel nozzle nut (1) and push down to compress the split ring. Release the swivel nozzle nut.



- It is essential to replace the o-ring (6) with a new one.



- Remove the 60° or 90° elbow (7) by pushing it out from under it using a non-cutting tool so as not to damage the elbow.
Replace it if necessary.
- It is essential to replace the 3 o-rings (8) with new ones.
- Proceed in reverse order for reassembly.



7. Troubleshooting

Symptoms	Probable causes	Remedies
The powder does not come out	Incorrect installation	Check that the spray gun installation and connections comply with the instructions (see § 1.4 page 10).
	The projector is incorrectly set	Follow the instructions for making adjustments.
	Insufficient air flow rate supplied by the compressed air circuit.	Check the circuit.
	The powder-carrying hose is obstructed	Clean the powder-carrying hose using compressed air.
Powder does not adhere to the part to be painted	The 60° or 90° powder elbow is plugged	Clean the swivel powder elbow with compressed air.
	The part is not correctly grounded.	Ensure that the electrical resistance of the parts in relation to the ground system is less than 1MΩ..
	The electrode is covered in hardened paint or soiling.	Switch off the high-voltage power supply, then clean the electrode and ensure that the current delivered is less than 30 µA for flat spray nozzles.
Abnormally high current consumption	The voltage is not sufficiently high.	Increase the voltage, but ensure that the current does not exceed 30 µA for flat spray nozzles.
	Ground wire too close to the projector electrode.	Move the ground wire further away.

8. Spare parts list

The spare parts are classified in 2 different types:

- **1st emergency parts:**

The 1st emergency parts are strategic components which are not necessarily consumables but which in case of failure prohibit the operation of the equipment.

Depending on the production line's commitment and the production rates imposed, the first emergency parts are not necessarily kept available in the customer's stock.

Indeed, if an interruption of the production flow is possible, storage is not necessary.

On the other hand, if the stop is not possible, the 1st emergency parts will be kept in stock.

- **Wearing parts:**

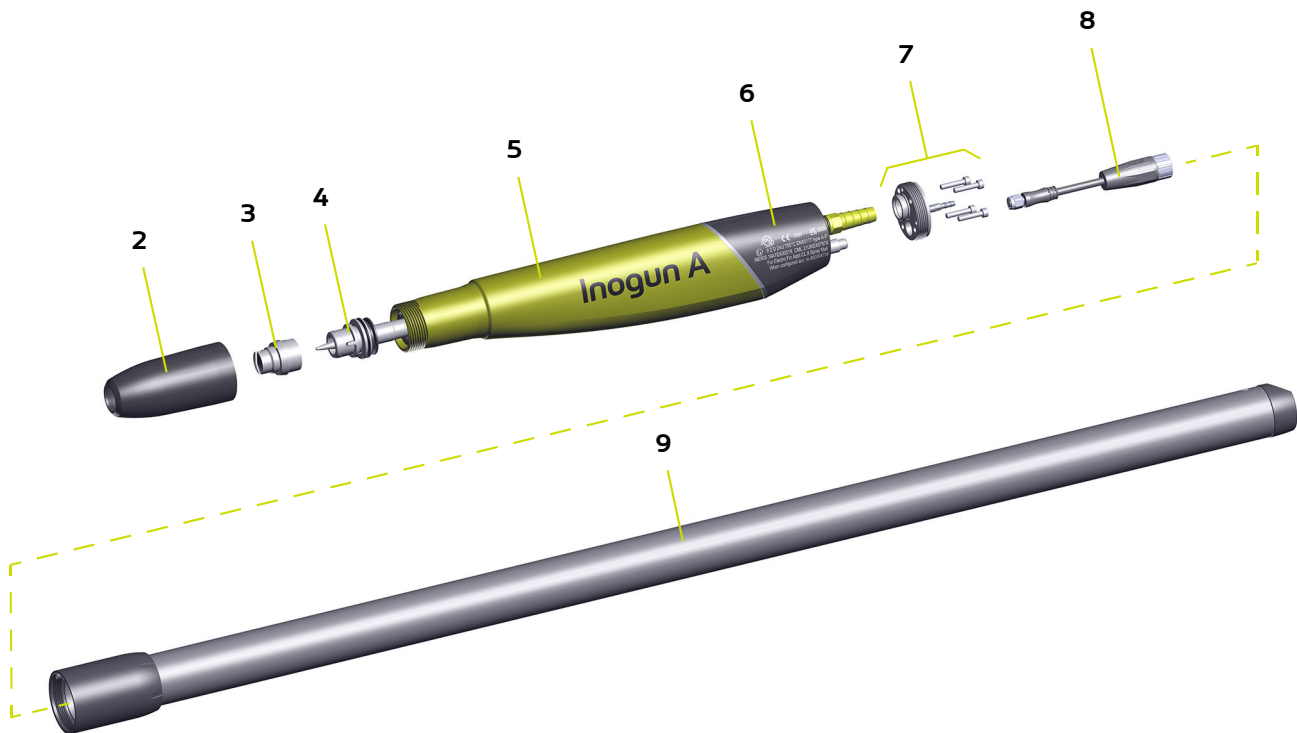
Wearing parts are consumable components such as O-rings that undergo regular degradation over time during normal operation of the installation. It is therefore advisable to replace them according to a defined frequency and adapted to the operating time of the installation.

The wearing parts must therefore be kept in the customer's stock.



To guarantee an optimal assembly, spare parts must be stored in a temperature close to their temperature of use. Should the opposite occur, a sufficient waiting time must be observed before the installation, so that all the elements are assembled in the same temperature.

8.1. Inogun A FCC

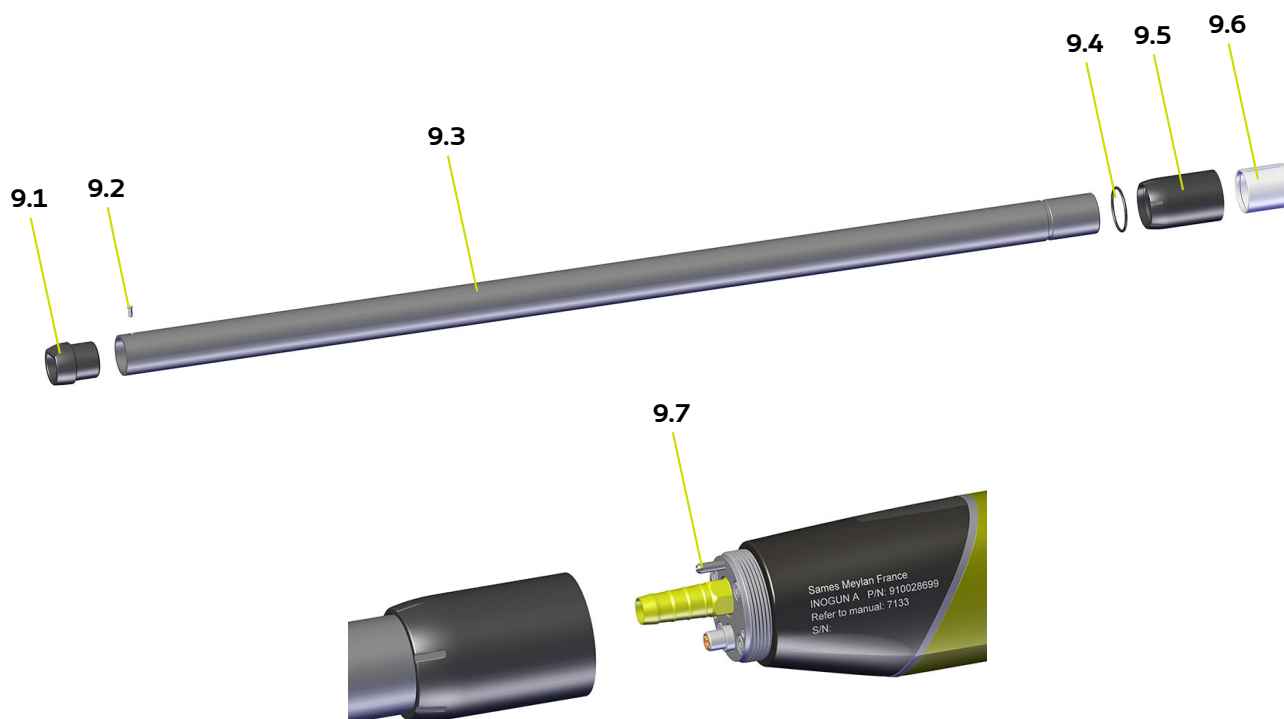


Item	Part Number	Description	Qty	Unit of sale	Maintenance level for spare part (*)
	910028715	Inogun A FCC projector - cable 30 m	1	1	-
	910028699	Common part of the Inogun A FCC/ Inogun A (*)	1	1	-
2	900018342	Nozzle nut	1	1	-
3	900016321	Medium flat spray deflector (see § 8.10.1 page 61)	1	1	1-2
4	910027640	Flat spray electrode support (see § 8.10.1 page 61)	1	1	1-2
5	910028708	Barrel assembly (see § 8.6 page 54)	1	1	-
6	910027298	Equipped rear body	1	1	-
7	910028159	Holding flange assembly (see § 8.8 page 59)	1	1	-
8	900018168	Low voltage cable Inogun A, Length: 30 m	1	1	-
9	910026238	Support tube assembly for Inogun FCC (see § 8.1.1 page 45)	1	1	-
Not shown					
3	1409259	Round spray deflector, Ø16 mm (white) (see § 8.10.3 page 66)	option	1	1-2
4	910027641	Round spray electrode support (see § 8.10.3 page 66)	option	1	1-2
	900017737#	Hose (PEO) Ø12, green, antistatic	option 15	50 m	2
	Q6VRUB001	Black velcro strip	1	m	-

(*)
Level 1: 1st emergency parts
Level 2: Wearing parts

(**): the common part (P/N # 910028699) is made up of items 1 to 6.

8.1.1. Support tube assembly for Inogun FCC



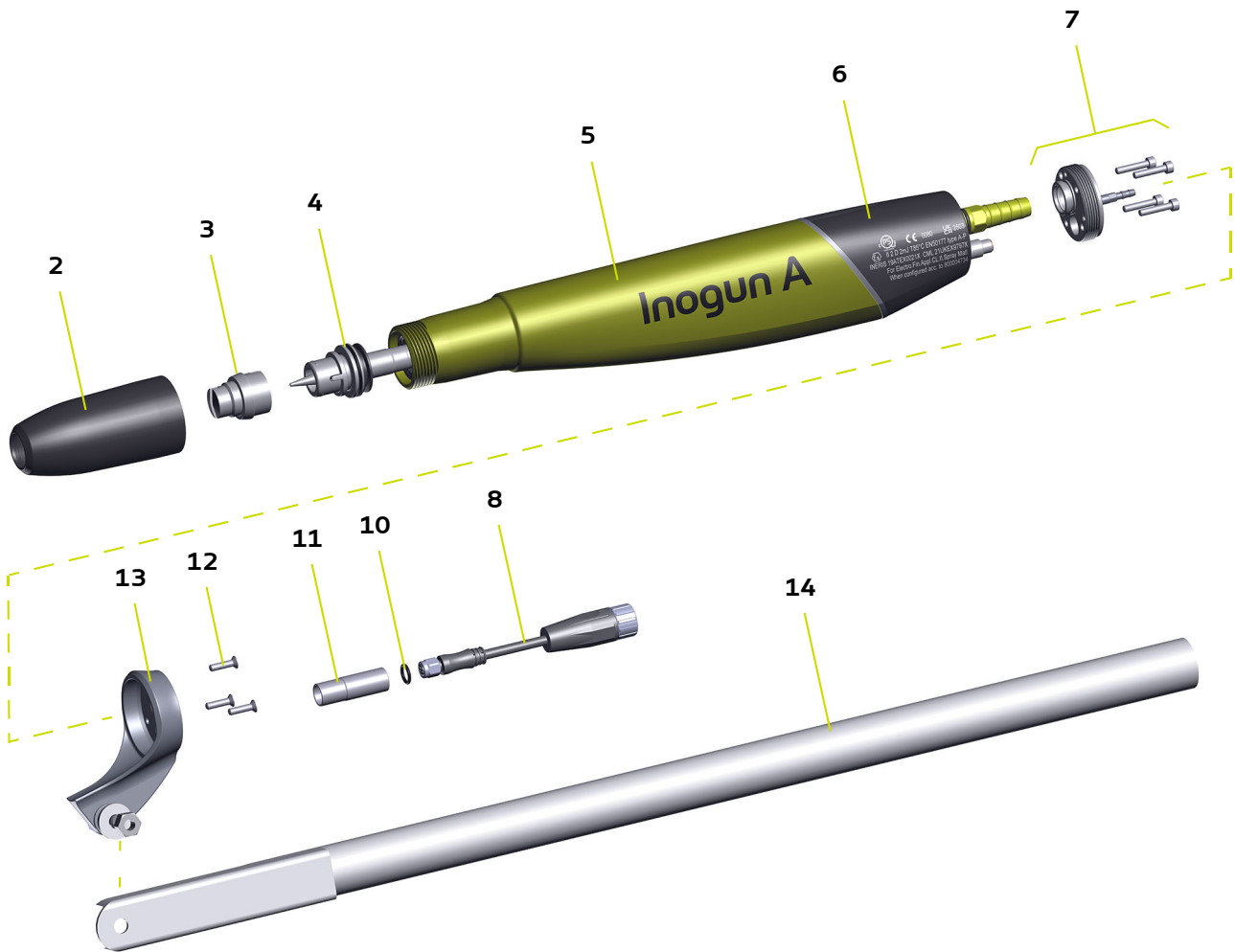
Item	Part Number	Description	Qty	Unit of sale	Maintenance level for spare part (*)
9	910026238	Support tube assembly for Inogun FCC	1	1	-
9.1	900017448	End piece	1	1	-
9.2	250000214	Stainless steel FB/90 M 4 / 10 screw	1	1	-
9.3	900016077	Inogun support tube	1	1	-
9.4	J2FTDF410	O-ring	1	1	2
9.5	900016075	Inogun nut	1	1	-
9.6	900016089	Split ring	1	1	-
9.7	900011889	Index pin	1	1	-

(*)

Level 1: 1st emergency parts

Level 2: Wearing parts

8.2. Inogun A standard version



Item	Part Number	Description	Qty	Unit of sale	Maintenance level for spare part (*)
	910028713	Inogun A projector, cable length: 20 m	1	1	-
	910028699	Common part of the Inogun A FCC/ Inogun A (*)	1	1	-
2	900018342	Nozzle nut	1	1	-
3	900016321	Medium flat spray deflector (see § 8.10.1 page 61)	1	1	1-2
4	910027640	Flat spray electrode support (see § 8.10.1 page 61)	1	1	1-2
5	910028708	Barrel assembly (see § 8.6 page 54)	1	1	-
6	910027298	Equipped rear body	1	1	-
7	910028159	Holding flange assembly (see § 8.8 page 59)	1	1	-
8	900017990	Low voltage cable Inogun A, Length: 20 m	1	1	-
10	160000146	O-ring	1	1	-
11	900019285	Sleeve	1	1	-
12	X2BVKB121	Zinc plated FB/90 M4x16 screw	3	5	-
13	900016312	Rear support	1	1	-
14	910029712	Equipped support arm Dia.: 30 mm	1	1	-
Not shown					
1	910028711	Counter electrode assembly (see § 8.9 page 60)	option	1	-
3	1409259	Round spray deflector, Dia.: 16 mm (white) (see § 8.10.3 page 66)	option	1	1-2
4	910027641	Round spray electrode support (see § 8.10.3 page 66)	option	1	1-2
	130001649#	Hose (PEO) Ø11, green, antistatic	option 12	50 m	2

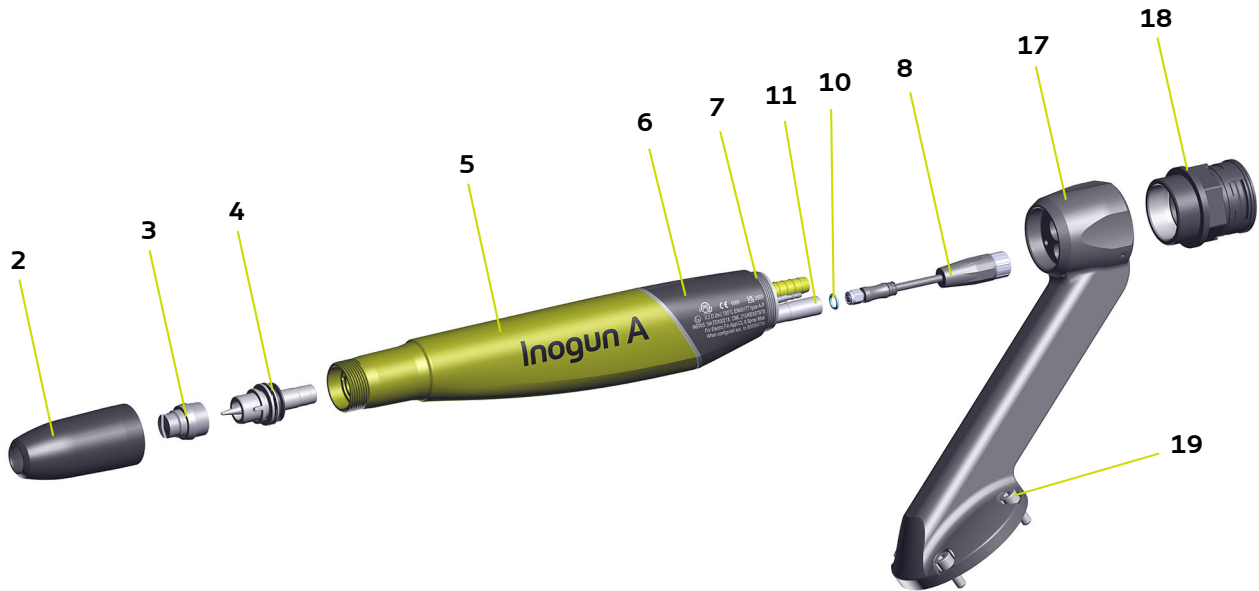
(*)

Level 1: 1st emergency parts

Level 2: Wearing parts

(**): the common part (P/N # 910028699) is made up of items 1 to 6.

8.3. Robotic Single 60° Inogun A projector



Item	Part Number	Description	Qty	Unit of sale	Maintenance level for spare part (*)
	910030100	Robotic Single Inogun A assembly + support + cable 30 m	1	1	-
	910028699	Common part of the Inogun A FCC/ Inogun A (*)	1	1	-
2	900018342	Nozzle nut	1	1	-
3	900016321	Medium flat spray deflector (see § 8.10.1 page 61)	1	1	1-2
4	910027640	Flat spray electrode support (see § 8.10.1 page 61)	1	1	1-2
5	910028708	Barrel assembly (see § 8.6 page 54)	1	1	-
6	910027298	Equipped rear body	1	1	-
7	910028159	Holding flange assembly (see § 8.8 page 59)	1	1	-
8	900018168	Low voltage cable Inogun A, Length: 30 m	1	1	-
10	J2FTDF106	O-ring	1	1	-
11	900019285	Sleeve	1	-	-
17	900018640	Robotic support	1	1	-
18	110000922	Straight connector	1	1	-
19	250000372	CHC screw M8x20 nylon + fibre	4	1	1
Not shown					
	110000915	Robotic sheath	6	m	-
1	910028711	Counter electrode assembly (see § 8.9 page 60)	option	1	-
3	1409259	Round spray deflector, Dia.: 16 mm (white) (see § 8.10.3 page 66)	option	1	1-2
4	910027641	Round spray electrode support (see § 8.10.3 page 66)	option	1	1-2
	900017737#	Hose (PEO) Ø12, green antistatic	option 15	50 m	-

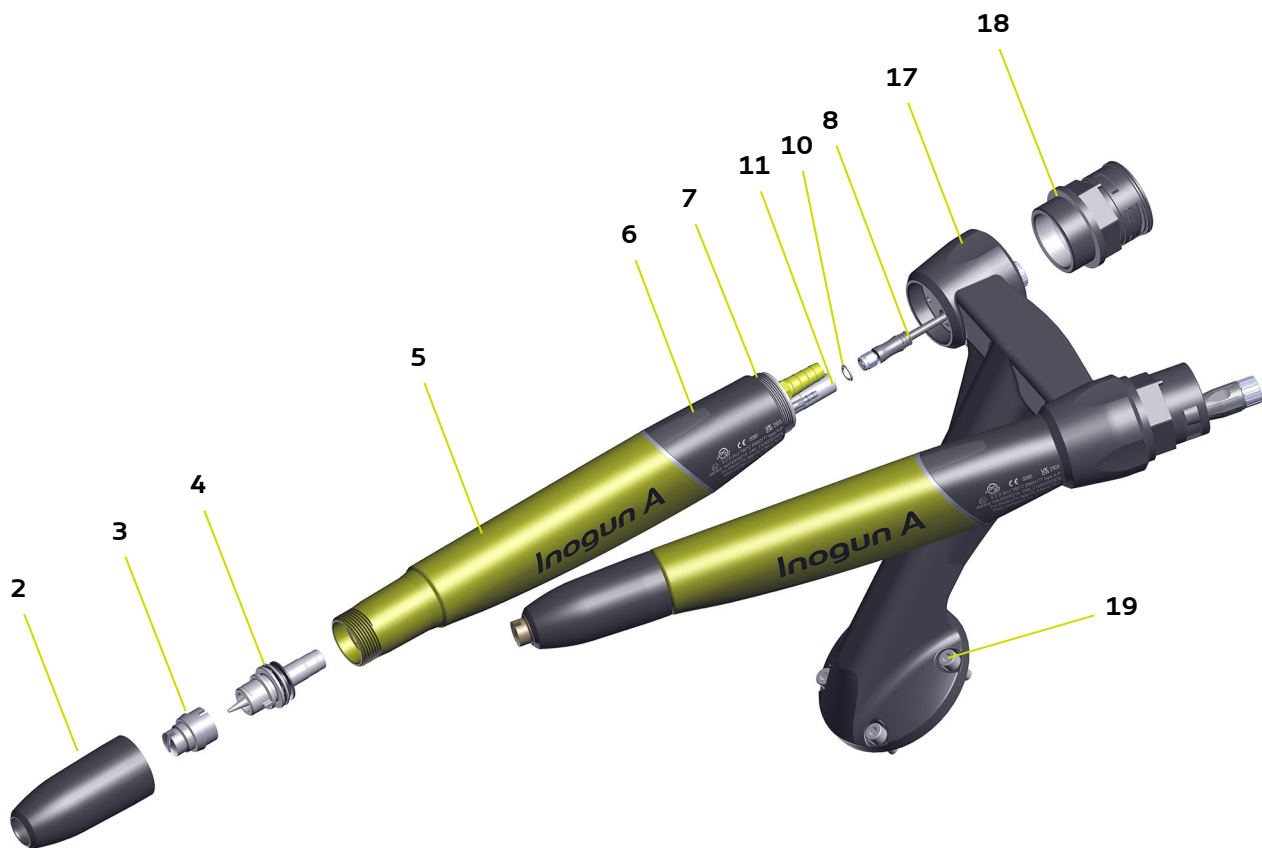
(*)

Level 1: 1st emergency parts

Level 2: Wearing parts

(**): the common part (P/N # 910028699) is made up of items 2 to 6.

8.4. Robotic Twin Convergent Inogun A projector



Item	Part Number	Description	Qty	Unit of sale	Maintenance level for spare part (*)
	910030101	Robotic Twin Convergent Inogun A assembly + support + cable 30 m	1	1	-
	910028699	Common part of the Inogun A FCC/ Inogun A (*)	1	1	-
2	900018342	Nozzle nut	2	1	-
3	900016321	Medium flat spray deflector (see § 8.10.1 page 61)	2	1	1-2
4	910027640	Flat spray electrode support (see § 8.10.1 page 61)	2	1	1-2
5	910028708	Barrel assembly (see § 8.6 page 54)	2	1	-
6	910027298	Equipped rear body	2	1	-
7	910028159	Holding flange assembly (see § 8.8 page 59)	2	1	-
8	900018168	Low voltage cable Inogun A, Length: 30 m	2	1	-
10	J2FTDF106	O-ring	2	1	-
11	900019285	Sleeve	2	-	-
17	900018581	Robotic support	1	1	-
18	110000922	Straight connector	2	1	-
19	250000372	CHC screw M8x20 nylon + fibre	4	1	1
Not shown					
	110000915	Robotic sheath	2 x 6	m	-
1	910028711	Counter electrode assembly (see § 8.9 page 60)	option	1	-
3	1409259	Round spray deflector, Dia.: 16 mm (white) (see § 8.10.3 page 66)	option	1	1-2
4	910027641	Round spray electrode support (see § 8.10.3 page 66)	option	1	1-2
	900017737#	Hose (PEO) Ø12, green antistatic	option 2 x 15	50 m	-

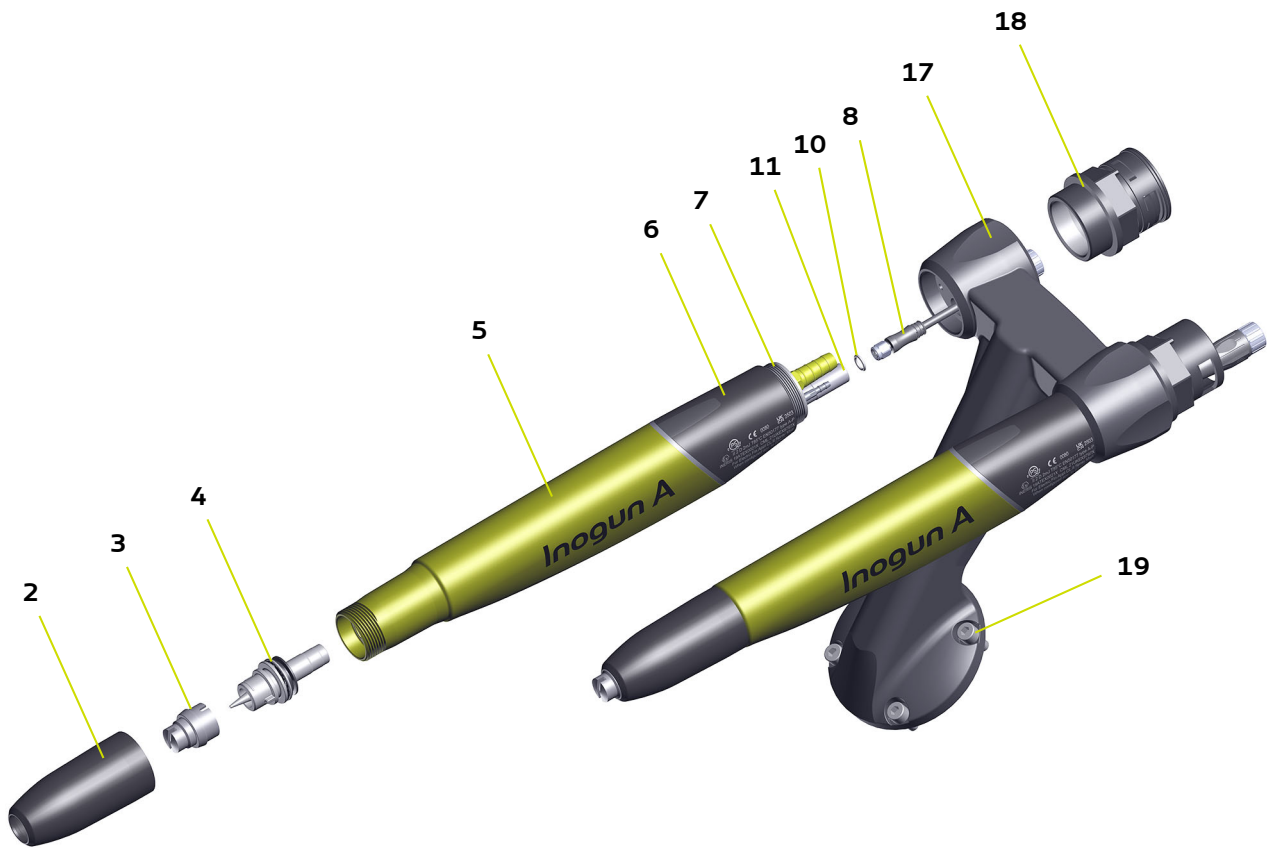
(*)

Level 1: 1st emergency parts

Level 2: Wearing parts

(**): the common part (P/N # 910028699) is made up of items 2 to 6.

8.5. Robotic Twin Parallel Inogun A projector



Item	Part Number	Description	Qty	Unit of sale	Maintenance level for spare part (*)
	910030102	Robotic Twin Parallel Inogun A assembly + support + cable 30 m	1	1	-
	910028699	Common part of the Inogun A FCC/ Inogun A (*)	1	1	-
2	900018342	Nozzle nut	2	1	-
3	900016321	Medium flat spray deflector (see § 8.10.1 page 61)	2	1	1-2
4	910027640	Flat spray electrode support (see § 8.10.1 page 61)	2	1	1-2
5	910028708	Barrel assembly (see § 8.6 page 54)	2	1	-
6	910027298	Equipped rear body	2	1	-
7	910028159	Holding flange assembly (see § 8.8 page 59)	2	1	-
8	900018168	Low voltage cable Inogun A, Length: 30 m	2	1	-
10	J2FTDF106	O-ring	2	1	-
11	900019285	Sleeve	2	-	-
17	900018639	Robotic support	1	1	-
18	110000922	Straight connector	2	1	-
19	250000372	CHC screw M8x20 nylon + fibre	4	1	1
Not shown					
	110000915	Robotic sheath	2 x 6	m	-
1	910028711	Counter electrode assembly (see § 8.9 page 60)	option	1	-
3	1409259	Round spray deflector, Dia.: 16 mm (white) (see § 8.10.3 page 66)	option	1	1-2
4	910027641	Round spray electrode support (see § 8.10.3 page 66)	option	1	1-2
	900017737#	Hose (PEO) Ø12, green antistatic	option 2 x 15	50 m	-

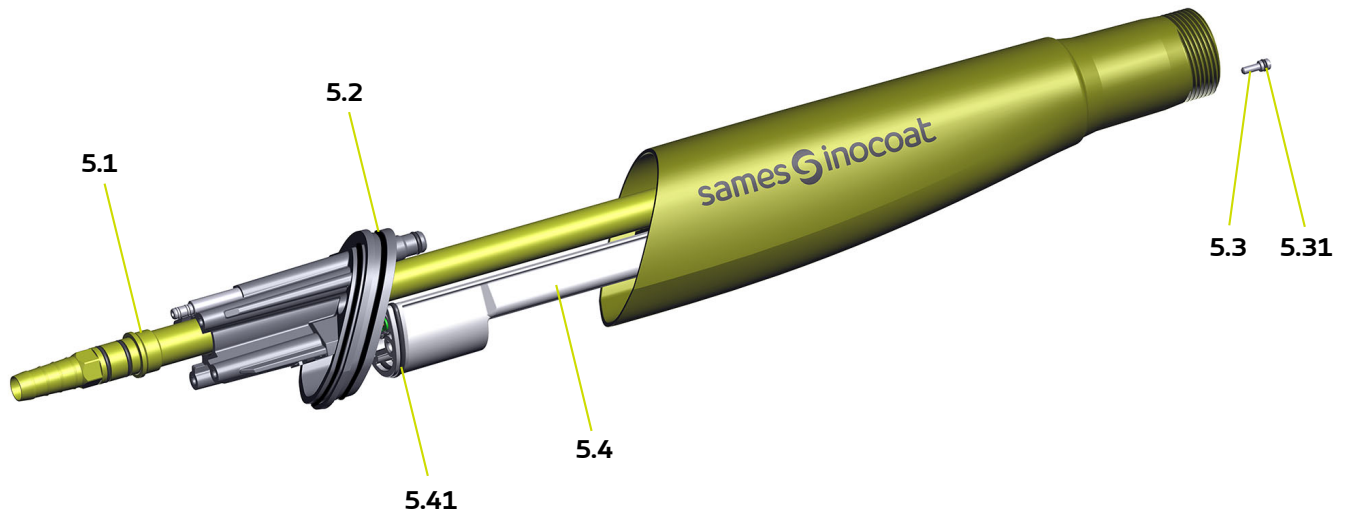
(*)

Level 1: 1st emergency parts

Level 2: Wearing parts

(**): the common part (P/N # 910028699) is made up of items 2 to 6.

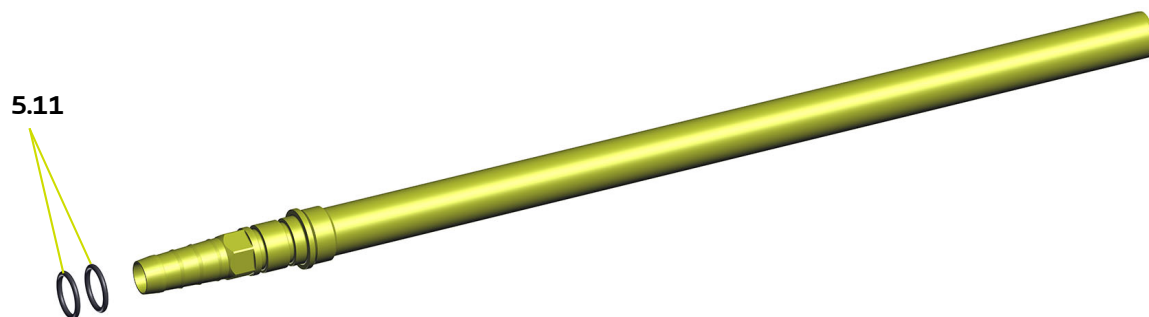
8.6. Barrel assembly



Item	Part Number	Description	Qty	Unit of sale	Maintenance level for spare part (*)
5	910028708	Barrel assembly	1	1	-
5.1	910028155	Powder tube assembly (see § 8.6.1 page 55)	1	1	2
5.2	910028158	Protective cover assembly (see § 8.6.2 page 56)	1	1	-
5.3	910028157	HV contact with o-ring	1	1	-
5.31	J2FTDF027	O-ring (included in item.5.3)	1	1	2
5.4	910024679	High voltage unit 100kV	1	1	-
5.41	J2FTCF051	O-ring (included in item 5.4)	1	1	-

(*)
Level 1: 1st emergency parts
Level 2: Wearing parts

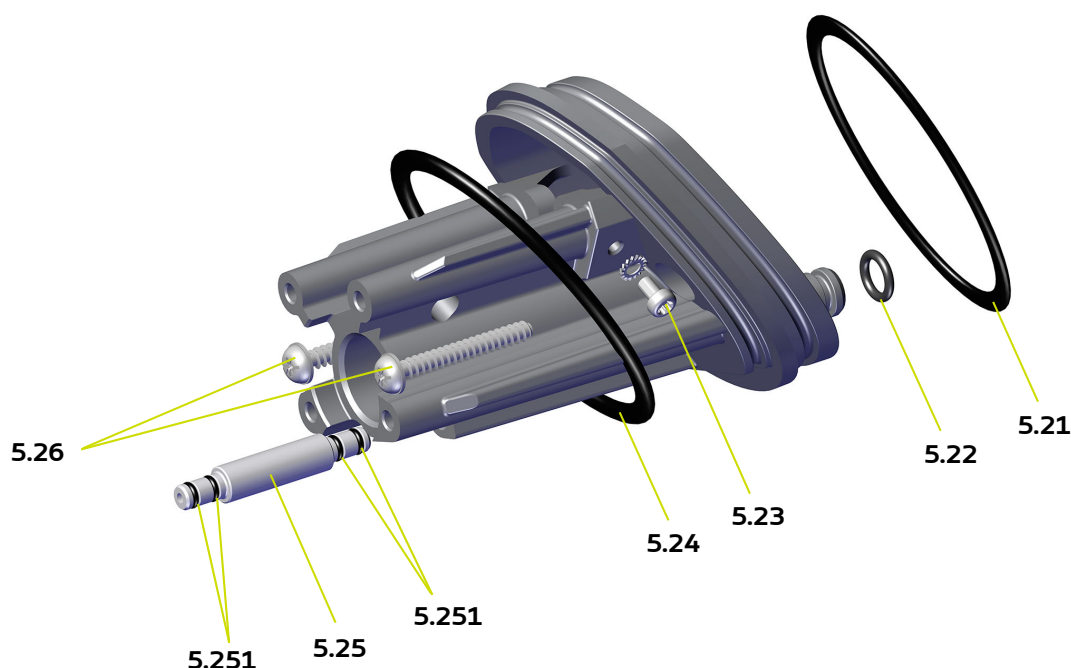
8.6.1. Powder tube assembly



Item	Part Number	Description	Qty	Unit of sale	Maintenance level for spare part (*)
5	910028155	Powder tube assembly	1	1	2
5.1	J2FTDF160	O-ring	2	1	2

(*)
Level 1: 1st emergency parts
Level 2: Wearing parts

8.6.2. Protective cover assembly



Item	Part Number	Description	Qty	Unit of sale	Maintenance level for spare part (*)
5.2	910028158	Protective cover assembly	1	1	-
5.21	J2CTPB510	O-ring	1	1	-
5.22	J2FTDF078	O-ring	1	1	-
5.23	250000370	Torx screw M3 x 5 zinc-plated steel	1	1	-
	X2BDVX003	AZ 3 fan washer	1	1	-
5.24	J2CTPC496	O-ring	1	1	-
5.25	910028154	Electrode blowing duct	1	1	-
5.251	J2CTPC020	O-ring (included in item 5.45)	4	1	-
5.26	250000324	Zinc plated PT CB 40X30 screw	2	1	-

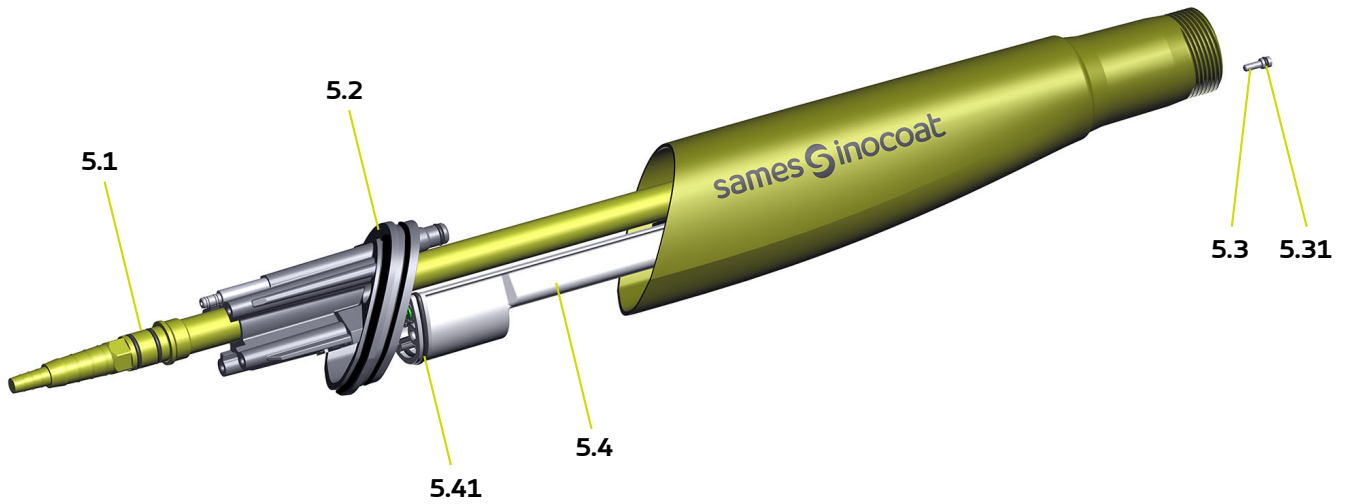
(*)

Level 1: 1st emergency parts

Level 2: Wearing parts

The protective screen equipped is common with the penetrant testing version.

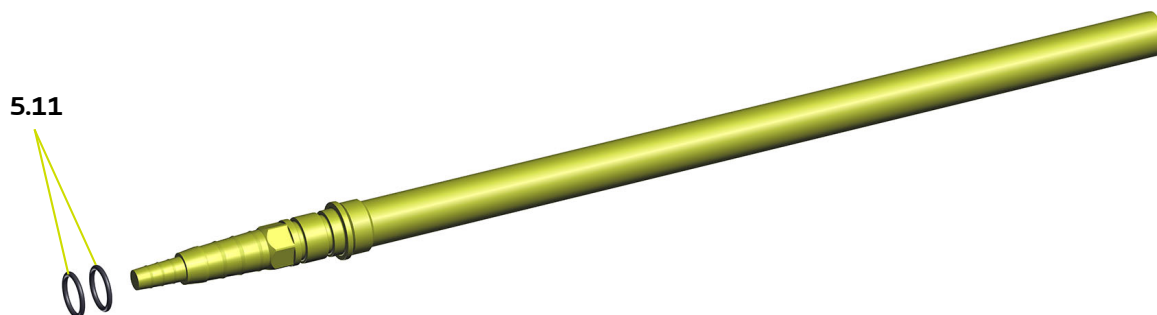
8.7. Barrel assembly, penetrant testing version



Item	Part Number	Description	Qty	Unit of sale	Maintenance level for spare part (*)
5	910033692	Barrel assembly, penetrant testing version	1	1	-
5.1	910030173	Powder tube assembly, Penetrant testing version (see § 8.6.1 page 55)	1	1	2
5.2	910028158	Protective cover assembly (see § 8.6.2 page 56)	1	1	-
5.3	910028157	HV contact with o-ring	1	1	-
5.31	J2FTDF027	O-ring (included in item.5.3)	1	1	2
5.4	910024679	High voltage unit 100kV	1	1	-
5.41	J2FTCF051	O-ring (included in item 5.4)	1	1	-

(*)
Level 1: 1st emergency parts
Level 2: Wearing parts

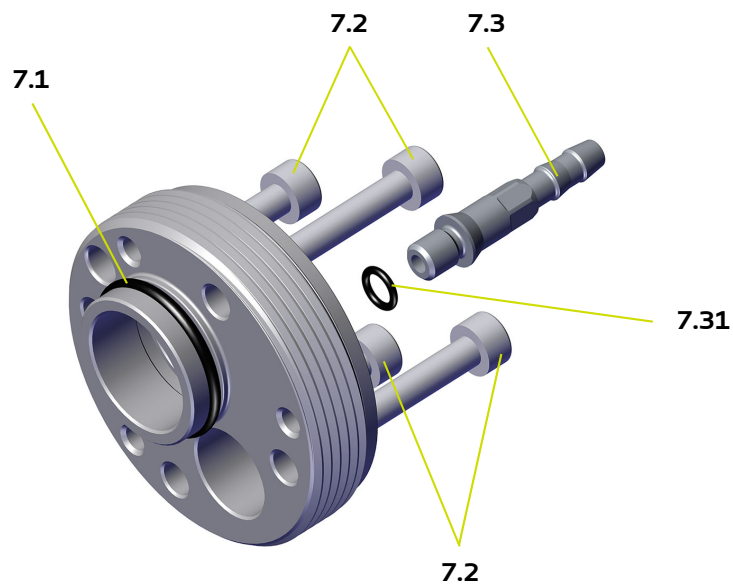
8.7.1. Powder tube set, penetrant testing version



Item	Part Number	Description	Qty	Unit of sale	Maintenance level for spare part (*)
5	910030173	Powder tube set, penetrant testing version	1	1	2
5.1	J2FTDF160	O-ring	2	1	2

(*)
Level 1: 1st emergency parts
Level 2: Wearing parts

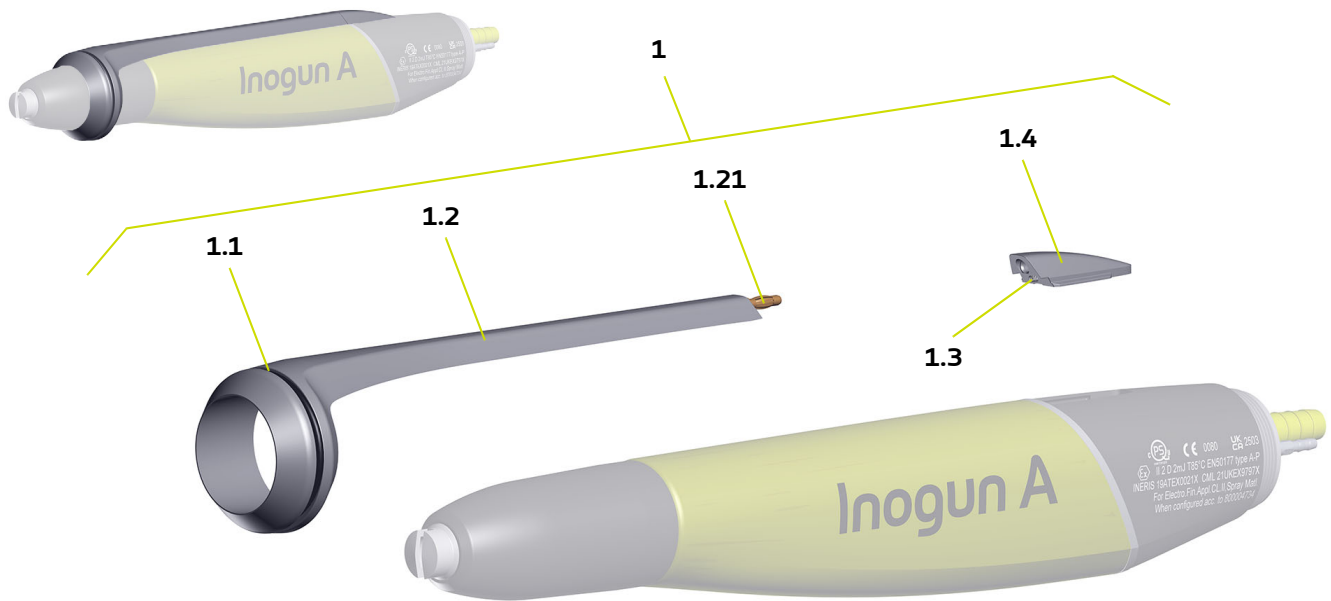
8.8. Holding flange assembly



Item	Part Number	Description	Qty	Unit of sale	Maintenance level for spare part (*)
7	910028159	Holding flange assembly	1	1	-
7.1	J2CTPC185	O-ring	1	1	2
7.2	X3AVSY123	Zinc plated C M 4 / 20 screw	4	1	-
7.3	910029641	Air nipple	1	1	-
7.31	J3ETOR038	O-ring EPDM (included in item.7.3)	1	1	2

(*)
Level 1: 1st emergency parts
Level 2: Wearing parts

8.9. Equipped counter electrode

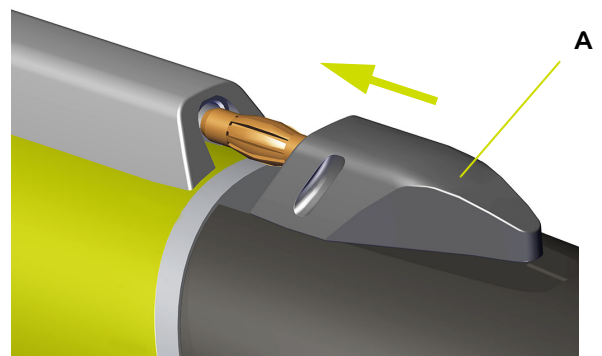


Item	Part Number	Description	Qty	Unit of sale	Maintenance level for spare part (*)
1	910028711	Equipped counter electrode	1	1	-
1.1	J3ETOR097	Counter electrode conductor seal (included in item 1.2)	1	1	1-2
1.2	910024920	Inogun equipped counter electrode	1	1	-
1.21	110001096	Banana plug Dia.: 4 (included in item 1.2)	1	1	-
1.3	Q2HRDC052	Spring (included in item 1.4)	1	1	1-2
1.4	910028547	Counter electrode connection	1	1	-

(*)
Level 1: 1st emergency parts
Level 2: Wearing parts

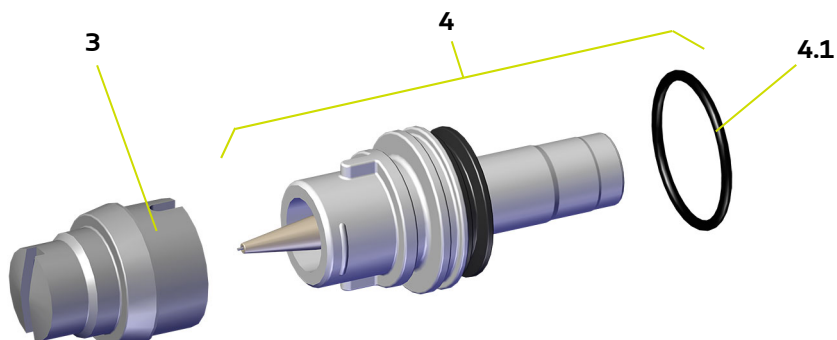


If the counter electrode is not used, it is imperative to install the plug (A) (P/N: 910031375) on the counter electrode connection.



8.10. Electrode supports

8.10.1. Flat spray



Item	Part Number	Description	Qty	Unit of sale	Maintenance level for spare parts (*)
4	910027640	Flat spray electrode support	1	1	1-2
4.1	J2CTCN054	O-ring (included in item 4)	1	1	1-2
3	900016321	Medium flat spray deflector (grey)	1	1	1-2
	900019952	Narrow flat spray deflector (green)	option	1	1-2
	900020796	Large flat spray deflector (black)	option	1	1-2

(*)

Level 1: 1st emergency parts

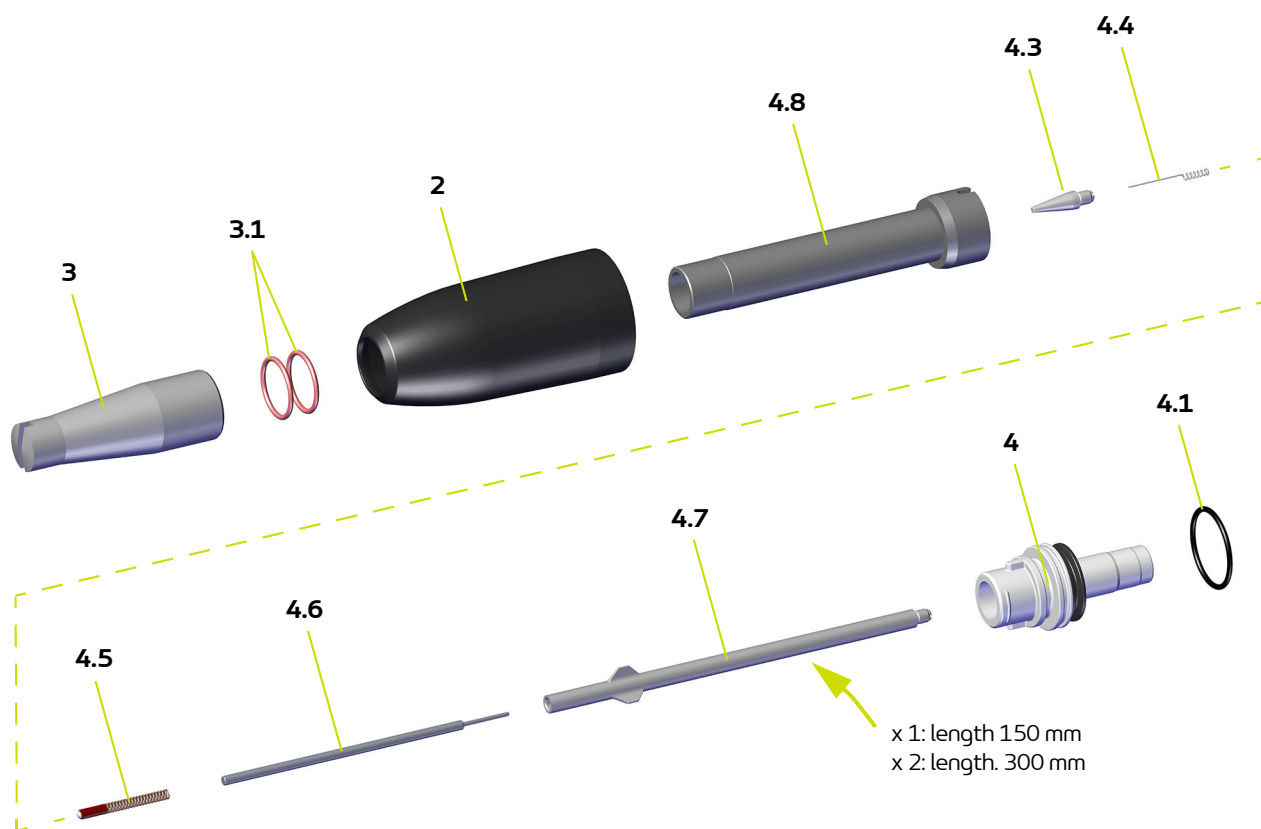
Level 2: Wearing parts

8.10.2. Optional: Extended flat spray nozzle

Part Number	Nozzle length (mm)	Body	Number of electrode extensions (*)	Nut	Spray deflector	Spring ionizer	Electrode extension	Electrode Support	Reinforcement sleeve
910028485	150	900021080	1						-
910028486	300	900021081	2	900018342	900020896			910027640	-
910032772	450	900021083	3		900021863	900017811	900017797		
910032773	600	900021085	4	900020473	900021864			910032276	900020899

(*) Electrode extension including long electrode extension (900018739), 10 MΩ resistance with spring (910032309) and HV contact extended nozzle (900018741).

8.10.2.1. Lengths 150 and 300 mm



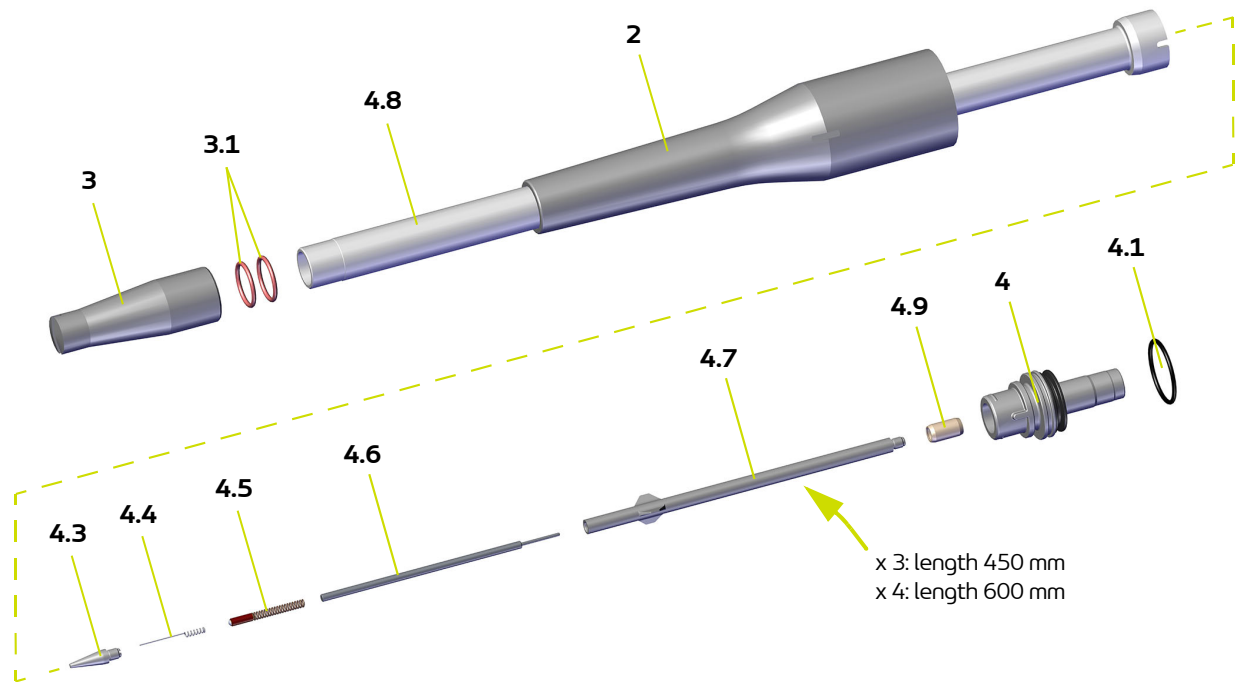
Item	Part Number	Description	Qty	Unit of sale	Maintenance level for spare parts (*)
	910028485	Extended flat spray nozzle length: 150 mm	1	1	-
	910028486	Extended flat spray nozzle length: 300 mm	1	1	-
2	900018342	Extended nozzle nut length: 150 to 300	1	1	-
	900020896	Flat spray narrow deflector for Extended nozzle	1	1	1
3	900021863	Flat spray medium deflector for Extended nozzle	option	1	1-2
	900021864	Flat spray large deflector for Extended nozzle	option	1	1-2
3.1	EU9001917	O-ring	2	1	1-2
4	910027640	Flat spray electrode support length: 150 to 300 mm (see § 8.10.1 page 61)	1	1	1
4.1	J2CTCN054	O-ring (included in item 4)	1	1	1
4.3	900017797	Extension élektrode	1	1	-
4.4	900017811	Ionizer spring	1	1	1
4.5	910032309	Resistance 10 MΩ with spring	1 or 2	1	2
4.6	900018741	HV Contact extended nozzle	1 or 2	1	1-2
4.7	900018739	Long electrode extension	1 or 2	1	-
4.8	900021080	Body length: 150 mm	1	1	-
	900021081	Body length: 300 mm	1	1	-

(*)

Level 1: 1st emergency parts

Level 2: Wearing parts

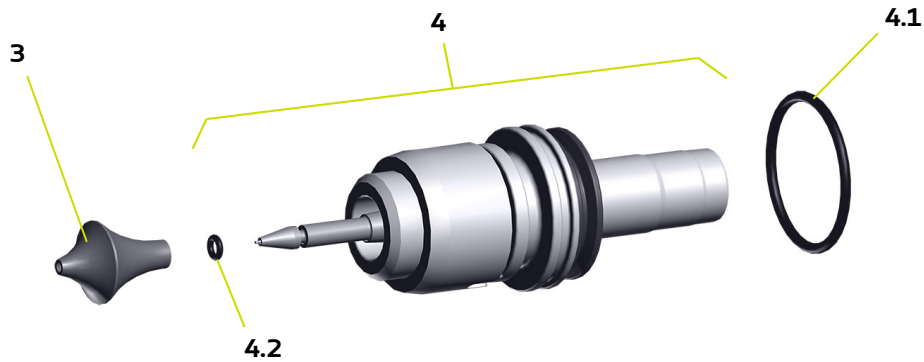
8.10.2.2. Lengths 450 and 600 mm



Item	Part Number	Description	Qty	Unit of sale	Maintenance level for spare parts (*)
	910032772	Extended flat spray nozzle length: 450 mm	1	1	-
	910032773	Extended flat spray nozzle length: 600 mm	1	1	-
2	900020473	Extended nozzle nut length: 450 to 600 mm	1	1	-
3	900020896	Flat spray narrow deflector for Extended nozzle	1	1	1
	900021863	Flat spray medium deflector for Extended nozzle	option	1	1-2
	900021864	Flat spray large deflector for Extended nozzle	option	1	1-2
3.1	EU9001917	O-ring	2	1	1-2
4	910032276	Reinforced electrode support length: 450 to 600 mm	1	1	1
4.1	J2CTCN054	O-ring (included in item 4)	1	1	1
4.3	900017797	Extension élektrode	1	1	-
4.4	900017811	Ionizer spring	1	1	1
4.5	910032309	Resistance 10 MΩ with spring	X	1	2
4.6	900018741	HV Contact extended nozzle	X	1	1-2
4.7	900018739	Long electrode extension	X	1	-
4.8	900021083	Body length: 450 mm	1	1	-
	900021085	Body length: 600 mm	1	1	-
4.9	900020899	Reinforcement sleeve (from length: 450) (included in Item 4)	1	1	1

(*)
Level 1: 1st emergency parts
Level 2: Wearing parts

8.10.3. Round spray



Item	Part Number	Description	Qty	Unit of sale	Maintenance level for spare parts (*)
4	910027641	Round spray electrode support	1	1	1-2
4.1	J2CTCN054	O-ring (included in item 4)	1	1	1-2
4.2	J2CTPC020	O-ring (included in item 4)	1	1	1-2
3	1409259	Round spray deflector, Dia.: 16 mm (white)	1	1	1-2
	900008026	HD Round spray deflector, Dia.: 16 mm (grey)	option	1	1-2
	1411500	Round spray deflector, Dia.: 12 mm (white)	option	1	1-2
	1409260	Round spray deflector, Dia.: 20 mm (white)	option	1	1-2
	900008027	HD Round spray deflector, Dia.: 20 mm (blue)	option	1	1-2
	1411993	Round spray deflector, Dia.: 25 mm (white)	option	1	1-2

(*)
Level 1: 1st emergency parts
Level 2: Wearing parts



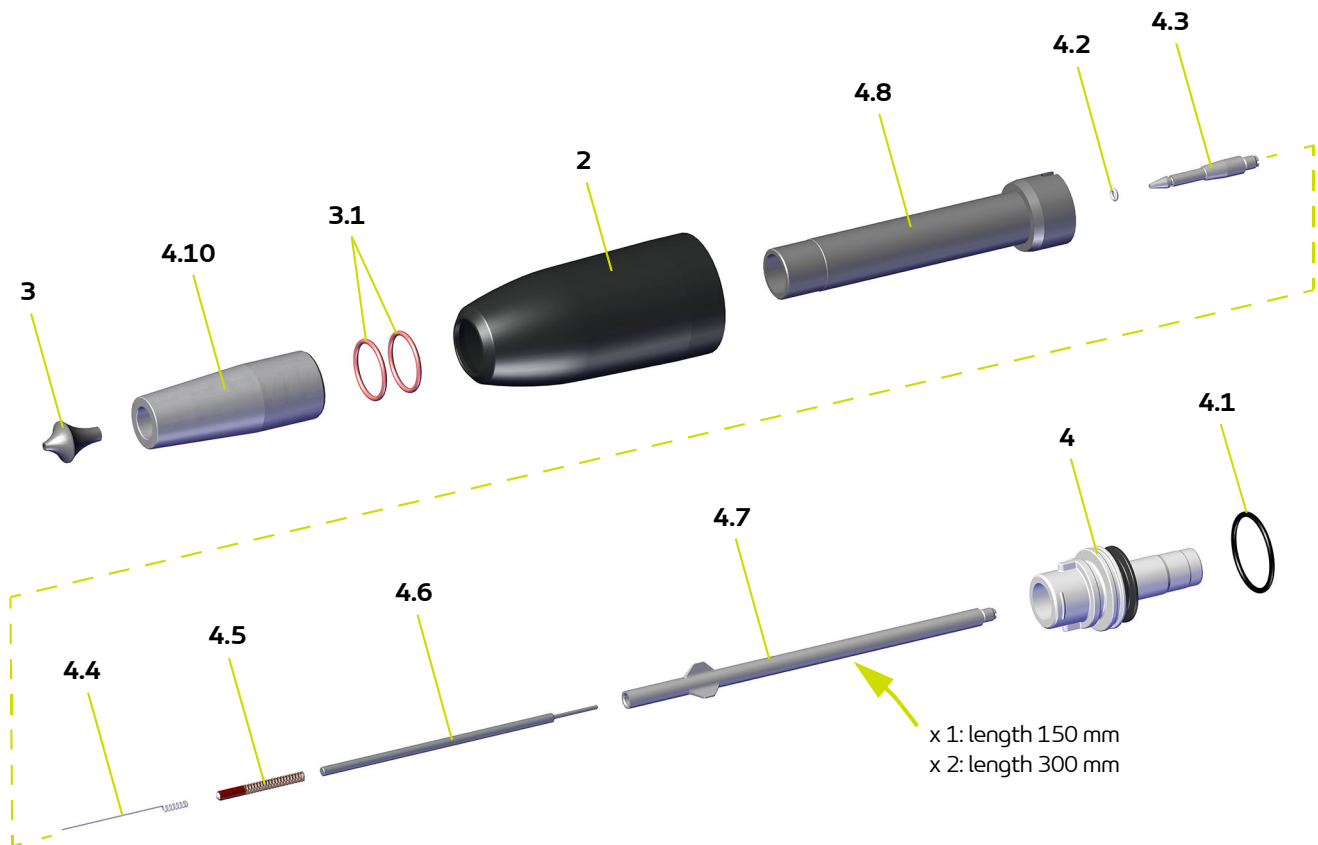
The deflectors high durability (HD) are recommended when powder more abrasive is used.

8.10.4. Option, Extended round spray nozzles

Part Number	Nozzle length (mm)	Body	Number of electrode extensions (*)	Nut	Spray déflector	Spring ionizer	Electrode extension	Electrode Support	Reinforcement sleeve
910028576	150	900021080	1	900018342				910027641	-
910028575	300	900021081	2						-
910030942	450	900021083	3	900020473	900020904	900018523	900017552	910032276	900020899
910029099	600	900021085	4						
910031754	1050	900020467	7						
910032347	1500	900021066	10						

(*) Electrode extension including long electrode extension (900018739), 10 MΩ resistance with spring (910032309) and HV contact extended nozzle (900018741).

8.10.4.1. Lengths 150 and 300 mm



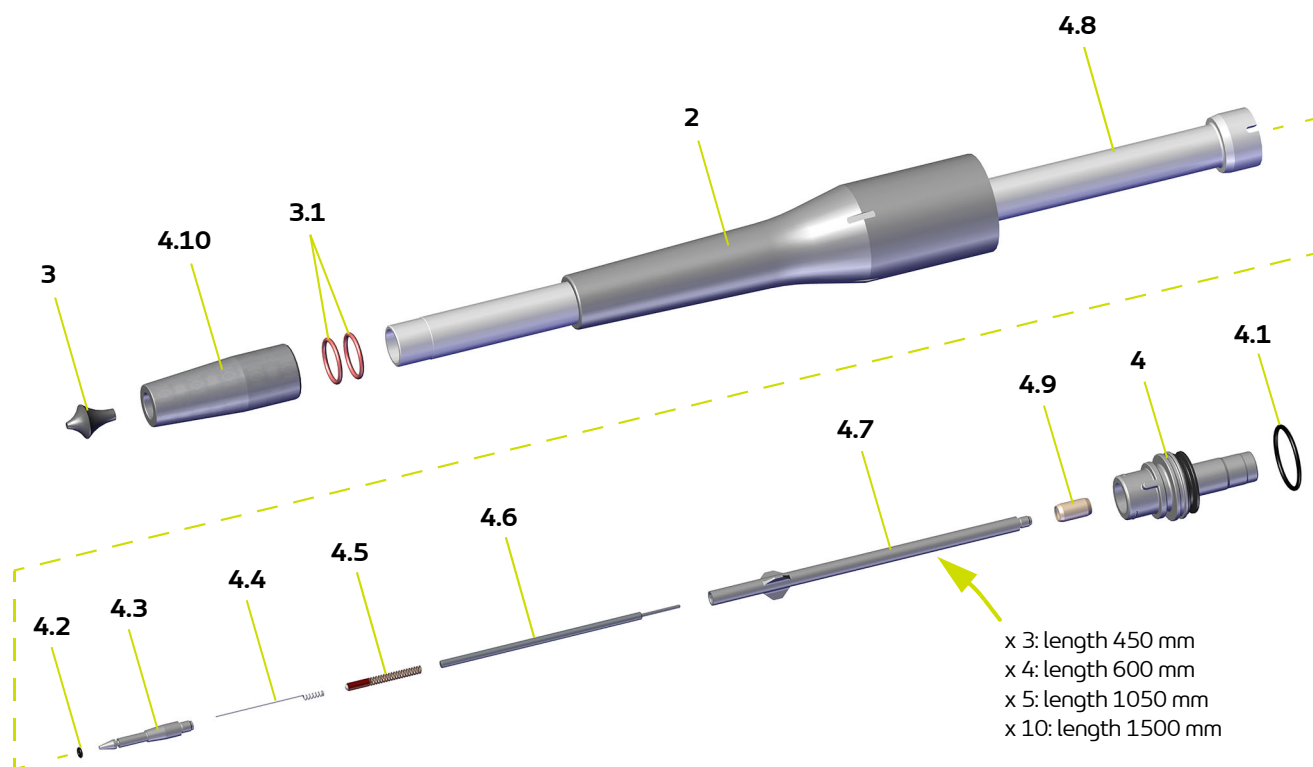
Item	Part Number	Description	Qty	Unit of sale	Maintenance level for spare parts (*)
	910028576	Extended round spray nozzle length: 150 mm	1	1	-
	910028575	Extended round spray nozzle length: 300 mm	1	1	-
2	900018342	Extended nozzle nut length: 150 to 300	1	1	-
3	1409259	Round spray deflector, Dia.: 16 mm (white)	1	1	1-2
	900008026	HD Round spray deflector, Dia.: 16 mm (grey)	option	1	1-2
	1411500	Round spray deflector, Dia.: 12 mm (white)	option	1	1-2
	1409260	Round spray deflector, Dia.: 20 mm (white)	option	1	1-2
	900008027	HD Round spray deflector, Dia.: 20 mm (blue)	option	1	1-2
	1411993	Round spray deflector, Dia.: 25 mm (white)	option	1	1-2
3.1	EU9001917	O-ring	2	1	1-2
4	910027641	Round spray electrode support (see § 8.10.3 page 66)	1	1	1
4.1	J2CTCN054	O-ring (included in item 4)	1	1	1-2
4.2	J2CTPC020	O-ring (included in item 4)	1	1	1-2
4.3	900017552	Electrode extension	1	1	-
4.4	900018523	Ionizer spring	1	1	1
4.5	910032309	Resistance 10 MΩ with spring	1 or 2	1	1
4.6	900018741	HV Contact extended nozzle	1 or 2	1	1-2
4.7	900018739	Long electrode extension	1 or 2	1	-
4.8	900021080	Body length: 150 mm	1	1	-
	900021081	Body length: 300 mm	1	1	-
4.10	900020904	Extended nozzle round spray deflector	1	1	1-2

(*)

Level 1: 1st emergency parts

Level 2: Wearing parts

8.10.4.2. Lengths from 450 to 1500 mm



Item	Part Number	Description	Qty	Unit of sale	Maintenance level for spare parts (*)
	910030942	Extended round spray nozzle length: 450 mm	1	1	-
	910029099	Extended round spray nozzle length: 600 mm	1	1	-
	910031754	Extended round spray nozzle length: 1050 mm	1	1	-
	910032347	Extended round spray nozzle length: 1500 mm	1	1	-
2	900020473	Extended nozzle nut length: 450 to 600	1	1	-
3	1409259	Round spray deflector, Dia.: 16 mm (white)	1	1	1-2
	900008026	HD Round spray deflector, Dia.: 16 mm (grey)	option	1	1-2
	1411500	Round spray deflector, Dia.: 12 mm (white)	option	1	1-2
	1409260	Round spray deflector, Dia.: 20 mm (white)	option	1	1-2
	900008027	HD Round spray deflector, Dia.: 20 mm (blue)	option	1	1-2
	1411993	Round spray deflector, Dia.: 25 mm (white)	option	1	1-2
3.1	EU9001917	O-ring	2	1	1-2
4	910032276	Reinforced electrode support length: 450 to 600 mm	1	1	1
4.1	J2CTCN054	O-ring (included in item.4)	1	1	1
4.2	J2CTPC020	O-ring (included in item.4)	1	1	1-2
4.3	900017552	Electrode extension	1	1	-
4.4	900018523	Ressort ioniseur	1	1	1
4.5	910032309	Resistance 10 MΩ with spring	X	1	1
4.6	900018741	HV Contact extended nozzle	X	1	1-2
4.7	900018739	Long electrode extension	X	1	-
4.8	900021083	Body length: 450 mm	1	1	-
	900021085	Body length: 600 mm	1	1	-
	900020467	Body length: 1050 mm	1	1	-
	900021066	Body length: 1500 mm	1	1	-
4.9	900020899	Reinforcement sleeve (from length: 450) (included in item. 4)	1	1	1
4.10	900020904	Extended nozzle round spray deflector	1	1	1-2

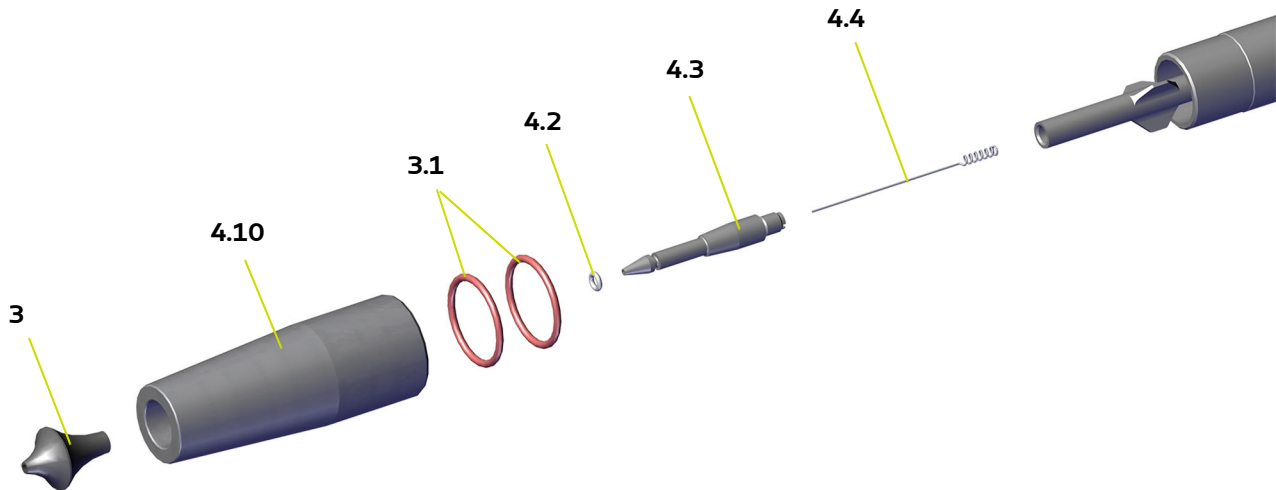
(*)

Level 1: 1st emergency parts

Level 2: Wearing parts

8.11. Spray type conversion kits for extended nozzles

8.11.1. Kit for converting a flat spray into a round spray for extended nozzles



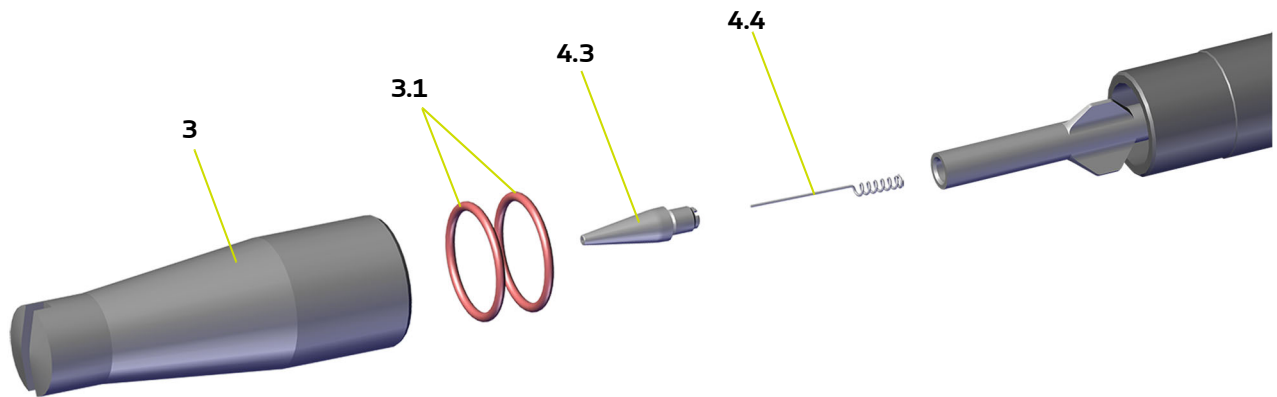
Item	Part Number	Description	Qty	Unit of sale	Maintenance level for spare parts (*)
20	910032710	Kit for converting a flat spray into a round spray for extended nozzles	1	1	-
3	1409259	Round spray deflector Dia: 16 mm (white)	1	1	1-2
3.1	EU9001917	O-ring	2	1	1-2
4.2	J2CTPC020	O-ring	1	1	1-2
4.3	900017552	Round spray electrode extension	1	1	-
4.4	900018523	Round spray ionizer spring	1	1	1
4.10	900020904	Extended nozzle round spray deflector	1	1	-

(*)

Level 1: 1st emergency parts

Level 2: Wearing parts

8.11.2. Kit for converting a round spray into a flat spray for extended nozzles

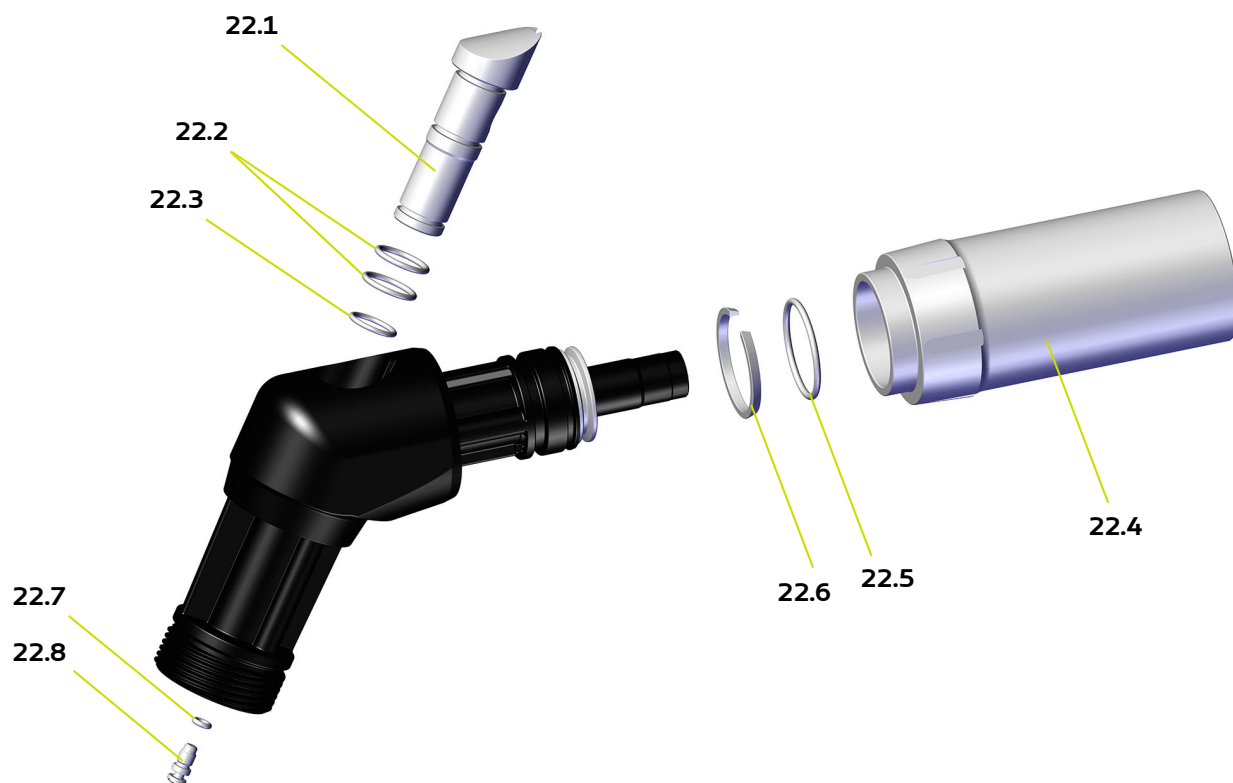


Item	Part Number	Description	Qty	Unit of sale	Maintenance level for spare parts (*)
21	910032709	Kit for converting a round jet into a flat spray for extended nozzles	1	1	-
3	900020896	Flat spray narrow deflector for Extended nozzle	1	1	1-2
3.1	EU9001917	O-ring	2	1	1-2
4.3	900017797	Flat spray electrode extension	1	1	-
4.4	900017811	Flat spray ionizer spring	1	1	1
Option					
3	900021863	Flat spray medium deflector for Extended nozzle	option	1	1-2
	900021864	Flat spray large deflector for Extended nozzle	option	1	1-2

(*)
Level 1: 1st emergency parts
Level 2: Wearing parts

8.12. 60° and 90° nozzle adapters

8.12.1. 60° nozzle adapter



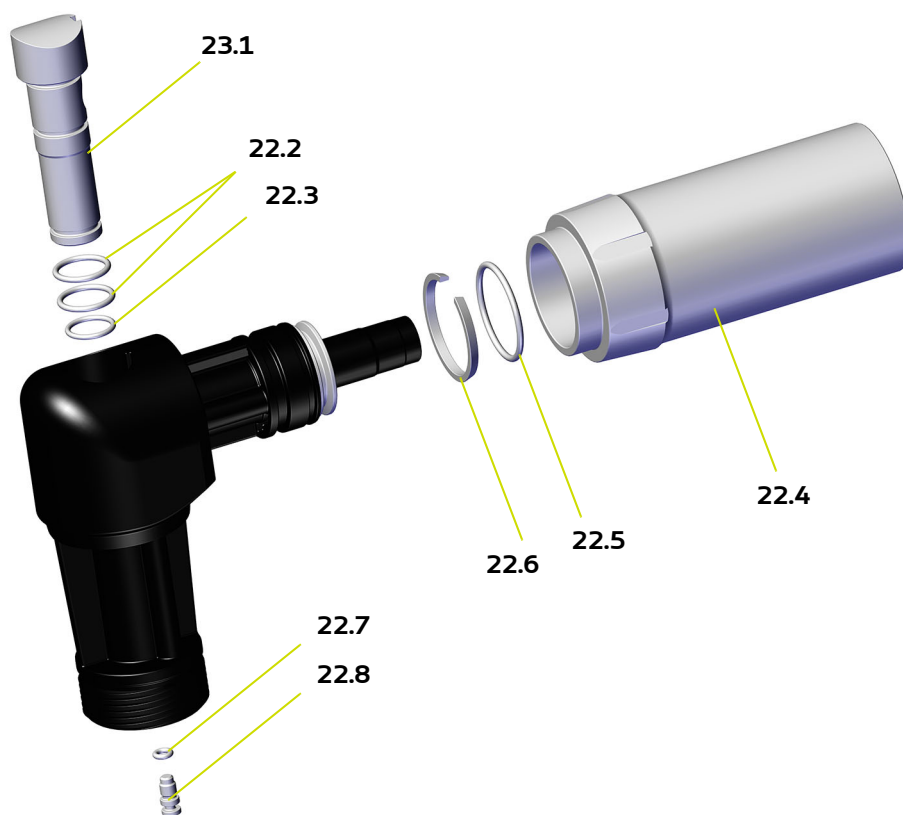
Item	Part Number	Description	Qty	Unit of sale	Maintenance level for spare parts (*)
22	910029247	60° nozzle adapter	1	1	-
22.1	900019144	60° powder elbow	1	1	2
22.2	J2FTDF177	O-ring	2	1	1-2
22.3	J2FTDF155	O-ring	1	1	1-2
22.4	900018709	Swivel nozzle nut	1	1	-
22.5	J2CTCN054	O-ring	1	1	2
22.6	900015975	Conducting ring	1	1	1-2
22.7	J2FTDF029	O-ring	1	1	2
22.8	900018710	HV contact	1	1	-

(*)

Level 1: 1st emergency parts

Level 2: Wearing parts

8.12.2. 90° nozzle adapter

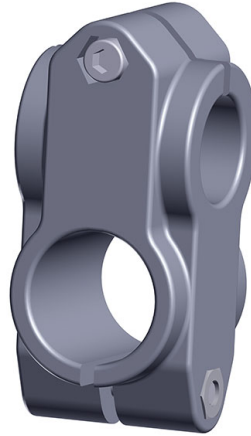


Item	Part Number	Description	Qty	Unit of sale	Maintenance level for spare parts (*)
23	910029270	90° nozzle adapter	1	1	-
22.2	J2FTDF177	O-ring	2	1	1-2
22.3	J2FTDF155	O-ring	1	1	1-2
22.4	900018709	Swivel nozzle nut	1	1	-
22.5	J2CTCN054	O-ring	1	1	2
22.6	900015975	Conducting ring	1	1	1-2
22.7	J2FTDF029	O-ring	1	1	2
22.8	900018710	HV contact	1	1	-
23.1	900020365	90° powder elbow	1	1	2

(*)
Level 1: 1st emergency parts
Level 2: Wearing parts

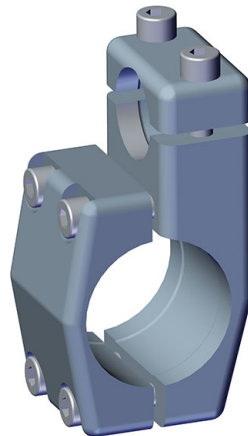
8.13. Additional equipment

8.13.1. Fixing nut used with Inogun A FCC



Item	Part Number	Description	Qty	Unit of sale	Maintenance level for spare parts (*)
16	20000412	Fixing nut 50/40	1	1	-
	130002080	Fixing nut 40/40	1	1	-

8.13.2. Fixing nut used with Inogun A



Item	Part Number	Description	Qty	Unit of sale	Maintenance level for spare parts (*)
15	749805	Orthogonal fixing nut 50/30	1	1	-
	130002081	Orthogonal fixing nut 40/30	1	1	-

(*)
Level 1: 1st emergency parts
Level 2: Wearing parts

8.13.3. Common parts

Manual flush filter

Part Number	Description	Qty	Unit of sale	Maintenance level for spare parts (*)
160000148	5µm air filter	1	1	1 - 2
F6RLCS204	Male union	2	1	-
X3AVSY119	Screw Chc M4 x12 steel 8/8 zinc plated	2	1	-
X2BDMU004	Washer M4 U zinc plated steel	2	1	-

(*)

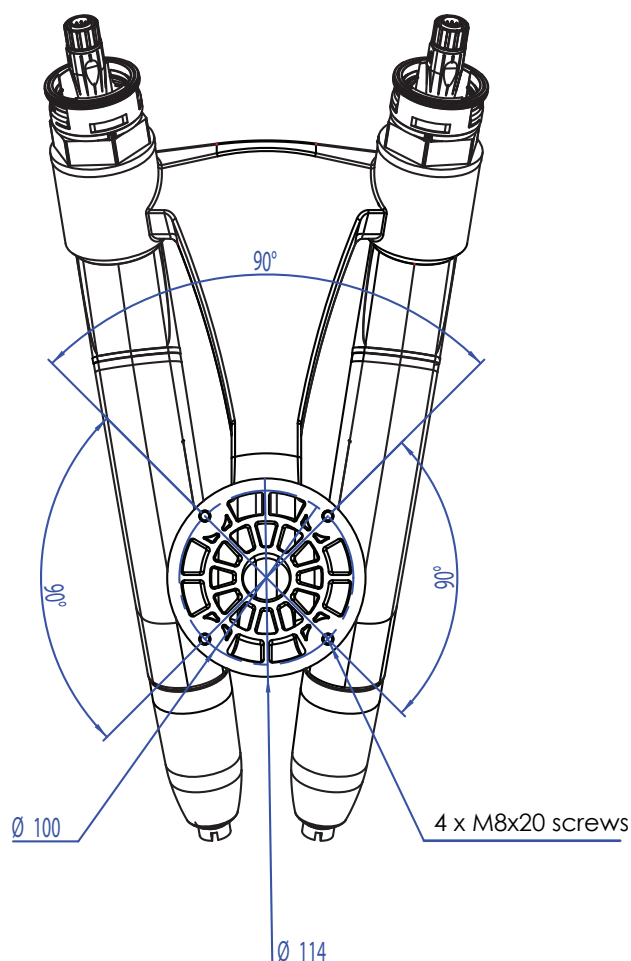
Level 1: 1st emergency parts

Level 2: Wearing parts

8.14. Robotic adapters

A robotic adapter is necessary in order to fix the Inogun A robotic projector, whatever its version, on the robot to be equipped.

Interface diagram:



9. Revision index History

Created by		Checked by: E. Ghio		Approved by S. Court	
Date	By:	Index	Purpose of the modification and location		
03/2020	S. Court	A	First issue		
09/2020	S. Court	B	Addition of CSA marking + applicable standards, modification of LV cable length for Inogun A FCC, addition of sleeve for robotic versions, addition of spare parts rings, modification of illustrations and modification of filter reference.	§ 1, 5 and 8	
10/2021	O. Aubin	C	Addition of extended nozzles and 60° and 90° adapters	§ 3, 5, 6, and 8	
01/2023	O. Aubin	D	UKCA and QPS Marking Transfer of CSA certification to QPS Change of identity and logo Update of the graphic charter Addition of sleeve part number and modification of fixing screw part number	§ 8.2 to 8.5	

10. Appendices

10.1. Preventive maintenance plan

PLAN DE MAINTENANCE PREVENTIVE / PREVENTIVE MAINTENANCE PLAN

Numéro d'ordre Serial	Ensemble - Assembly	Sous ensemble Sub assembly	Désignation de l'élément Designation of the assembly	Pour 1 ensemble - For 1 assembly			Acteurs Métiers Operators - skill (3)				Niveau Level (4)		Manuel d'utilisation Instruction manual	Outil Tool	Commentaires Notes	
				Action à effectuer Action to carry out	Temps prévu Estimated Time (1)		Périodicité Periodicity (H / hour) (2)	M	F	E	A	1				2
					100eme H	mn										

(1) Temps moyen d'intervention à titre indicatif, et à ajuster par les équipes d'intervention du site / This average intervention time is given for information and should be adjusted by the operating teams on site.
 (2) Les périodicités mentionnées sont des moyennes basées sur l'expérience de Sames. A charge des utilisateurs de les adapter aux conditions de leur installation notamment en fonction de la nature des produits utilisés, des vitesses de travail, etc. Sames se réserve le droit de modifier les informations mentionnées dans ce document, sans préavis / The given periodicities are averages based on Sames experience. It is the responsibility of the operators to adapt them to the conditions of their installation, in particular with respect to the nature of the products being used, the work speeds, etc. Sames reserves the right to change the information in this document without notice.
 (3) M : Mécanicien - F : Spécialiste fluide - E : Electricien - A : Automaticien / M : Mechanic - F : Fluid specialist - E : Electrician - A : Automation specialist
 (4) 1 = Niveau de Base, 2 = Niveau Avancé / 1 = Basic level, 2 = Advanced level

Avant toute intervention, se référer au chapitre sécurité du manuel de l'équipement / Before any intervention, see chapter safety equipment manual

1	Projeteur poudre Inogun A Spray powder projector Inogun A	Équipement Equipment	Tuyaux et raccords poudre Hoses and unions powder	Contrôle usure / fuite Wear / Leakage check	1,66	1	8	X				1			A chaque début de production Every start production
2		Équipement Equipment	Tuyaux et raccords pneumatique Hoses and unions pneumatic	Contrôle usure / fuite Wear / Leakage check	1,66	1	8	X				1			A chaque début de production Every start production
3		Équipement Equipment	Projecteur, buse, électrode et conduit poudre Projector, nozzle, electrode and powder pipe	Nettoyage avec air comprimé Cleaning with compressed air	8,33	5	8	X				1			A chaque arrêt de production - Pression maxi 2,5 bars Every break time - Air pressure max 2,5Bars
4		Buse rallongée Extended nozzle	Extension contact HT HV contact extension	Nettoyage avec air comprimé Cleaning with compressed air	1,66	1	8	X				1			A chaque fin de production - Pression maxi 2,5 bars At each end of production - Air pressure max 2,5Bars
5		Extension électrode Electrode extension	Ressort ioniseur Ionizer spring	Nettoyage avec air comprimé Cleaning with compressed air	1,66	1	8	X				1			A chaque fin de production - Pression maxi 2,5 bars At each end of production - Air pressure max 2,5Bars
6		Équipement Equipment	Buse et déflecteur Spray-gun nozzle and deflector	Nettoyage Cleaning	8,33	5	40	X				1			Solvant MIBK (Méthyle Isobutyl Cétone) Solvent MIBK (Methyl Isobutyl Ketone)
7		Équipement Equipment	Support électrode Electrode support	Vérification encrassement électrode Checking for electrode contamination	1,66	1	40	X				1			
8		Équipement Equipment	Support électrode Electrode support	Vérification joint conducteur Checking conductive O-ring	1,66	1	40	X				1			

PLAN DE MAINTENANCE PREVENTIVE / PREVENTIVE MAINTENANCE PLAN

Numéro d'ordre Serial	Ensemble - Assembly	Sous ensemble Sub assembly	Désignation de l'élément Designation of the assembly	Pour 1 ensemble - For 1 assembly			Acteurs Métiers Operators - skill (3)				Niveau Level (4)		Manuel d'utilisation Instruction manual	Outil Tool	Commentaires Notes	
				Action à effectuer Action to carry out	Temps prévu Estimated Time (1)		Périodicité Periodicity (H / hour) (2)	M	F	E	A	1				2
					100eme H	mn										
9		Équipement Equipment	Contact HT canon HV contact barrel	Vérification propreté contact Checking contact cleanliness	1,66	1	40	X				1				
10		Équipement Equipment	Canon Barrel	Vérification orifice sortie air de soufflage électrode Checking the cleanliness of the blowing air outlet electrode	1,66	1	40	X				1				
11		Buse rallongée Extended nozzle	Extension contact HT HV contact extension	Nettoyage avec air comprimé Cleaning with compressed air	1,66	1	40	X				1			A chaque arrêt de production - Pression maxi 2,5 bars Every break time - Air pressure max 2,5Bars	
12		Équipement Equipment	Canal poudre Powder tube	Vérification état d'usure et encrassement Checking the state of wear and soiling	1,66	1	500 (4 fois/an)	X				2	(DRT7132)	Tournevis empreinte Philips PH1 Philips screwdriver PH1	Remplacement si nécessaire Replace if it is required	
13		Équipement Equipment	Câblage Wiring	Vérification hygiène connectique Checking wiring	1,66	1	1000 (2 fois/an)			X		2				
14		Paramètre process Process parameter	Unité haute tension High voltage unit	Essais Haute tension High voltage test	3,33	2	1000 (2 fois/an)			X		2				
15		Projecteur Spray gun	Fixations Fixations	Vérification fixation appareil Checking fixing projector	3,33	2	1000 (2 fois/an)	X				2				
16		Équipement Equipment	Canal poudre Powder tube	Remplacement Replacement	16,66	10		X				2	(DRT7132)	Tournevis empreinte Philips PH1 Philips screwdriver PH1		
17	(DRT7132)	Projecteur Spray gun	Buse Spray gun nozzle	Vérification pulvérisation poudre Checking spray	1,66	1		X				1 2			Durant la production During production	

PLAN DE MAINTENANCE PREVENTIVE / PREVENTIVE MAINTENANCE PLAN

Numéro d'ordre Serial	Ensemble - Assembly	Sous ensemble Sub assembly	Désignation de l'élément Designation of the assembly	Pour 1 ensemble - For 1 assembly			Acteurs Métiers Operators - skill (3)				Niveau Level (4)		Manuel d'utilisation Instruction manual	Outil Tool	Commentaires Notes	
				Action à effectuer Action to carry out	Temps prévu Estimated Time (1)		Périodicité Periodicity (H / hour) (2)	M	F	E	A	1				2
					100eme H	mn										
18	Pièces de rechange Spare parts	Stock Stock	Pièces Spare parts	Vérification disponibilité des pièces de première urgence Checking availability of spare parts	8,33	5	2 fois/an	X	X			1	2			

10.2. EU and UK declarations of conformity



UE DECLARATION OF CONFORMITY

(1) The manufacturer herewith declares that the equipment is in conformity with the relevant Union harmonization legislation.

(2) Equipment type	PULVERISATEUR ELECTROSTATIQUE DE PEINTURE POWDRE / ELECTROSTATIC POWDER PAINT SPRAY SYSTEM				
	Inogun A avec/with Inocontroller ou/or Inobox				
(3) Applicable Directives	2014/34/UE ATEX Directive	(4) Markings	Sprayer Inogun A : II 2 D 2 mJ		
			Control module Inocontroller : II (2) D [2 mJ] Matériel associé Inocontroller doit être installé en zone sûre (zone non dangereuse) Associated equipment Inocontroller must be installed in safe zone (non explosive area)		
			Control module Inobox : II 3 (2) D [2 mJ] Matériel associé Inobox peut être installé en zone 22 Associated equipment Inobox can be installed in zone 22		
		(5) Harmonised standards	EN 50177 : 2009 / A1 : 2013 EN 50050-2 : 2013	EN 60079-0 : 2018 EN 60079-31 : 2014	
		(6) Conformity assessment procedures	UE type examination certificate : INERIS 19ATEX0021X	Notified Body : INERIS 0080 60550 Verneuil-en-Halatte France	
			Production Quality Assurance Notification : INERIS 07ATEXQ401		
Le signe X placé derrière le numéro d'attestation d'examen UE de type indique que cet appareil est soumis à des conditions spéciales d'utilisation: cet appareil est prévu pour une gamme de températures ambiantes de 0°C à 40°C. Lors de l'installation, l'utilisateur devra tenir compte du fait que le clavier du module de commande Inobox n'a subi qu'un choc mécanique faible (groupe II suivant EN 60079-0). Le module de commande Inobox doit être protégé de la lumière. The X sign placed after the EU type examination certificate number indicates that this equipment is intended for an ambient temperature range of 0°C to 40°C. During the installation, the user will take into consideration that the keypad underwent only a shock corresponding to an energy of a low risk (Group II according to EN 60079-0), and must be protected against the high mechanical hazard risk. The Inobox has to be protected from light.					
2014/30/UE Electromagnetic Compatibility Directive	(5) Harmonised standards	Inocontroller + Inogun A : EN 61000-6-4 : 2007 /A1 : 2011 EN 61000-6-2 : 2005	Inobox + Inogun M : EN 61326-1 : 2013 EN 50663 : 2017 EN 62479 : 2010		
2014/35/UE Low Voltage Directive	(5) Harmonised standards	EN 61010-1 : 2011			
(7) This declaration of conformity is issued under the sole responsibility of the manufacturer.					

Director of the MEYLAN site - Executive Management (EM)

Richard WLODARCZYK

DocuSigned by:

Richard Wlodarczyk

9900D9C0034B4A2...

Established in Meylan, on 16-Janv.-23 | 09:25 CET

SAMES

Siège Social / Headquarter: 13, chemin de Malacher - CS70086 - 38243 Meylan Cedex - France - Tél / Phone: +33 (0)4 76 41 60 60
SAS au capital de 12.720.000 euros | RCS Grenoble: 572 051 688 | Code APE: 2829B | TVA intracom: FR36 572051688
info@sames.com - www.sames.com | Société d'EXEL Industries / EXEL Industries company



UE DECLARATION OF CONFORMITY

(1)	<p>Le Fabricant déclare que le matériel désigné ci-après est conforme à la législation d'harmonisation de l'Union applicable suivante/ Der Hersteller erklärt, dass das nachfolgend bezeichnete Material den folgenden anwendbaren Harmonisierungsrechtsvorschriften der Union entspricht / El fabricante declara que el equipo designado a continuación es conforme con la siguiente legislación de armonización de la UE aplicable / Il fabbricante dichiara che l'attrezzatura designata di seguito è conforme alla seguente legislazione di armonizzazione UE applicabile / O Fabricante declara que o equipamento designado abaixo está em conformidade com a seguinte legislação de harmonização aplicável da UE / Producent deklaruje, że urządzenie wskazane poniżej jest zgodne z następującymi obowiązującymi przepisami harmonizacyjnymi UE/ De fabrikant verklaart dat de hieronder beschreven apparatuur in overeenstemming is met de volgende toepasselijke EU-harmonisatiewetgeving/ Výrobce prohlašuje, že níže uvedené zařízení je ve shodě s těmito platnými harmonizačními právními předpisy EU/ Výrobce prohlašuje, že níže uvedené zařízení je ve shodě s těmito platnými harmonizačními právními předpisy EU/ Producenten erklærer, at det nedenfor angivne udstyr er i overensstemmelse med følgende gældende EU-harmoniseringslovgivning/ Valmistaja vakuuttaa, että jäljempänä mainitut laitteet ovat seuraavien sovellettävien EU:n yhdenmukaistamislainsäädännön mukaisia./ Tootja kinnitab, et allpool nimetatud seadmed vastavad järgmistele kohaldatavatele ELi ühtlustamise õigusaktidele./ Ražotājs apliecina, ka turpmāk norādītās iekārtas atbilst šādiem piemērojamiem ES saskaņošanas tiesību aktiem./ Gamintojas pareiškia, kad toliau nurodyta įranga atitinka šiuos taikytinus ES derinamuosius teisės aktus/ Производителят декларира, че посоченото по-долу оборудване е в съответствие със следното приложимо законодателство на ЕС за хармонизация/ A gyártó kijelenti, hogy az alább megjelölt berendezés megfelel a következő alkalmazandó uniós harmonizációs jogszabályoknak / Producătorul declară că echipamentul desemnat mai jos este în conformitate cu următoarea legislație de armonizare a UE aplicabilă/ Ο κατασκευαστής δηλώνει ότι ο εξοπλισμός που αναφέρεται κατωτέρω συμμορφώνεται με την ακόλουθη ισχύουσα νομοθεσία ενωρίμωσης της ΕΕ/ Προϊζνοδαč ovime izjavljuje da je oprema u skladu sa zakonskim zahtjevima Uje dinjene Kraljevine./ Výrobca vyhlasuje, že nižšie uvedené zariadenie je v súlade s týmito platnými harmonizačnými právnymi predpismi EÚ/ Произвојалец изјавља, да је сподат наведена опрема складна з насљедно јавно усклађивално законодајо ЕУ/ Производител заявяет, что указанное ниже оборудование соответствует следующим применимым законодательным актам ЕС по гармонизации/ 製造者は、以下に指定された装置が、適用される以下のEU調和法に適合していることを宣言する。/ 製造商声明, 下面指定的设备符合以下适用的欧盟协调立法。</p>
(2)	<p>Type d'équipement/ Art der Ausrüstung/ Tipo de equipo/ Tipo di attrezzatura/ Tipo de equipamento/ Rodzaj sprzętu/ Type uitrusting/ Typ zařízení/ Typ av anordning/ Type af anordning/ Laitteen tyyppi/ Seadme tüüp/ Iekārtas tips/ Įrangos tipas/ Вид оборудване/ A berendezés típusa/ Tipul de echipament/ Τύπος εξοπλισμού/ Vrsta opreme/ Typ zariadenia/ Vrsta naprave/ Тип оборудования/ 機器の種類/ 设备类型</p>
(3)	<p>Directives applicables/Anwendbare Richtlinien/Directivas aplicables/Direttive applicabili/Directivas aplicáveis/Obowiązujące dyrektywy/Toepasselijke richtlijnen/Platné smernice/ Tillämpiga direktiv/ Gældende direktiver/ Sovellettavat direktiivit/ Kohaldatavad direktiivid/ Piemērojams direktīvas/ Taikomas direktyvos/ Приложими директиви/ Alkalmazandó irányelvek/ Directive aplicabile/ Ισχύουσες οδηγίες/ Primjenjive smjernice/ Uplatnitelné smernice/ Veļjavne directive/ Применимые директивы/ 適用される指令/ 适用的指令</p>
(4)	<p>Marquage/Markierung/Marcado/Marcatura/Marcação/Znakowanie/Markering/Označení/Märkning/Mærkning/Merkintä/Märgistus/Markėjums/Ženklinimas/Маркировка/Jelðis/Marcare/Σήμανση/Obilježava/Označovanie /Označevanje/Маркировка/マーキング/ 标识</p>
(5)	<p>Normes harmonisées/Harmonisierte Normen / Normas armonizadas/ Norme armonizate/Normas harmonizadas /Normy zharmonizowane /Geharmoniseerde normen /Harmonizované normy /Harmoniserade standarder /Harmoniserede standarder /Yhdenmukaistetut standardit /Harmoniseeritud standardid /Saskaņotie standarti /Suderinti standartai /Хармонизирани стандарти /Harmonizált szabványok / Standarde armonizate/ Евармонизирана прототипа /Harmonizirani standardi /Harmonizované normy /Usklajeni standardi /Гармонизированные стандарты /整合規格 /协调标准</p>
(6)	<p>Procédure d'évaluation de la conformité/Verfahren der Konformitätsbewertung/Procedimiento de evaluación de la conformidad/Procedura di valutazione della conformità/Procedimento de avaliação da conformidade/Procedura oceny zgodności/Conformiteitsbeoordelingsprocedure/Postup posuzování shody / Förfarande för bedömning av överensstämmelse/Procedure for overensstemmelsesvurdering /Vaatimustenmukaisuuden arviointimenettely /Vastavushindamismenetlus/Atbilstības novērtēšanas procedūra /Atitikties vertinimo procedūra /Процедура за оценка на съответствието /Megfelelőségértékelési eljárás / Procedura de evaluare a conformității/ Διαδικασία αξιολόγησης της συμμόρφωσης /Postupak ocjene uskladnosti /Postup posuzovanja shody /Postopek ugotavljanja skladnosti /Процедура оценки соответствия / 適合性評價手順 / 符合性評估程序</p>
(7)	<p>Cette déclaration de conformité est délivrée sous la seule responsabilité du fabricant. / Diese Konformitätserklärung wird unter der alleinigen Verantwortung des Herstellers ausgestellt./ Esta declaración de conformidad se emite bajo la única responsabilidad del fabricante./ Questa dichiarazione di conformità è rilasciata sotto la sola responsabilità del produttore./ Esta declaração de conformidade é emitida sob a exclusiva responsabilidade do fabricante./ Niniejsza deklaracja zgodności została wydana na wyłączną odpowiedzialność producenta./ Deze verklaring van overeenstemming wordt afgegeven onder de uitsluitende verantwoordelijkheid van de fabrikant./ Toto prohlášení o shodě je vydáno na výhradní odpovědnost výrobce./ Denna försäkran om överensstämmelse utfärdas på tillverkarens eget ansvar. / Denne overensstemmelseserklæring er udstedt på producentens eget ansvar./ Tämä vaatimustenmukaisuusvakuutus annetaan valmistajan yksinomaisella vastuulla./ Käesolev vastavusdeklaratsioon on välja antud tootja ainuvastutusel./ Šī atbilstības deklarācija ir izdota uz ražotāja atbildību./ Už šią atitikties deklaraciją atsako tik gamintojas./ Настоящата декларация за съответствие се издава на пълната отговорност на производителя./ Ezt a megfeleléségi nyilatkozatot a gyártó kizárólagos felelőssége mellett adjuk ki./ Prezenta declarație de conformitate este emisă pe răspunderea exclusivă a producătorului./ Η παρούσα δήλωση συμμόρφωσης εκδίδεται με αποκλειστική ευθύνη του κατασκευαστή./ Ova izjava o skladnosti izdaje se isključivo pod odgovornošću proizvođača./ Toto vyhlásenie o zhode sa vydáva na výhradnú zodpovednosť výrobcu./ Za to izjavo o skladnosti je odgovoren izključno proizvajalec./ Din izdelkarazjoni ta' konformità għandha tinfareg taħt ir-responsabbiltà unika tal-manifattur./ Данная декларация соответствия выдана под исключительную ответственность производителя./ この適合宣言は、製造者の単独責任のもとで発行されています。/本符合性声明由制造商全权负责发布。</p>

SAMES

Siège Social / Headquarter: 13, chemin de Malcher - CS70086 - 38243 Meylan Cedex - France - Tél / Phone: +33 (0)4 76 41 60 60
 SAS au capital de 12.720.000 euros | RCS Grenoble: 572 051 688 | Code APE: 2829B | TVA intracom: FR36 572051688
info@sames.com - www.sames.com | Société d'EXEL Industries / EXEL Industries company



UK DECLARATION OF CONFORMITY

(1) The manufacturer herewith declares that the equipment is in conformity with the relevant Union harmonization legislation.

(2) Equipment type	PULVERISATEUR ELECTROSTATIQUE DE PEINTURE POUDRE / ELECTROSTATIC POWDER PAINT SPRAY SYSTEM			
	Inogun A avec/with Inocontroller ou/or Inobox			
(3) Applicable Directives	2016 No. 1107	(4) Markings	Sprayer Inogun A : II 2 D 2 mJ	
			Control module Inocontroller : II (2) D [2 mJ] Matériel associé Inocontroller doit être installé en zone sûre (zone non dangereuse) Associated equipment Inocontroller must be installed in safe zone (non explosive area)	
			Control module Inobox : II 3 (2) D [2 mJ] Matériel associé Inobox peut être installé en zone 22 Associated equipment Inobox can be installed in zone 22	
		(5) Designated standards	EN 50177 : 2009 / A1 : 2013 EN 50050-2 : 2013	EN 60079-0 : 2018 EN 60079-31 : 2014
		(6) Conformity assessment procedures	UK type examination certificate : CML 21UKEX9797X Production Quality Assurance Notification : CML 21UKQAN14372	Approved Body 2503 : Eurofins E&E CML Limited Newport Business Park, New Port Road Ellesmere Port CH65 4LZ UK
Le signe X placé derrière le numéro d'attestation d'examen UK de type indique que cet appareil est soumis à des conditions spéciales d'utilisation: cet appareil est prévu pour une gamme de températures ambiantes de 0°C à 40°C. Lors de l'installation, l'utilisateur devra tenir compte du fait que le clavier du module de commande Inobox n'a subi qu'un choc mécanique faible (groupe II suivant EN 60079-0). Le module de commande Inobox doit être protégé de la lumière. The X sign placed after the UK type examination certificate number indicates that this equipment is intended for an ambient temperature range of 0°C to 40°C. During the installation, the user will take into consideration that the keypad underwent only a shock corresponding to an energy of a low risk (Group II according to EN 60079-0), and must be protected against the high mechanical hazard risk. The Inobox has to be protected from light.				
2016 No. 1091	(5) Designated standards	Inocontroller + Inogun A : EN 61000-6-4 : 2007 /A1 : 2011 EN 61000-6-2 : 2005	Inobox + Inogun M : EN 61326-1 : 2013 EN 50663 : 2017 EN 62479 : 2010	
2016 No. 1101	(5) Designated standards	EN 61010-1 : 2011		
(7) This declaration of conformity is issued under the sole responsibility of the manufacturer.				

Director of the MEYLAN site - Executive Management (EM)

Richard WLODARCZYK

DocuSigned by:

Richard Wlodarczyk

9900D9C0034B4A2...

Established in Meylan, on 27-mars-23 | 18:27 CEST

SAMES

Siège Social / Headquarter: 13, chemin de Malacher - CS70086 - 38243 Meylan Cedex - France - Tél / Phone: +33 (0)4 76 41 60 60
SAS au capital de 12.720.000 euros | RCS Grenoble: 572 051 688 | Code APE: 2829B | TVA intracom: FR36 572051688
info@sames.com - www.sames.com | Société d'EXEL Industries / EXEL Industries company



UK DECLARATION OF CONFORMITY

(1)	<p>Le Fabricant déclare que le matériel désigné ci-après est conforme à la législation d'harmonisation de l'Union applicable suivante/ Der Hersteller erklärt, dass das nachfolgend bezeichnete Material den folgenden anwendbaren Harmonisierungsrechtsvorschriften der Union entspricht / El fabricante declara que el equipo designado a continuación es conforme con la siguiente legislación de armonización de la UE aplicable / Il fabbricante dichiara che l'attrezzatura designata di seguito è conforme alla seguente legislazione di armonizzazione UE applicabile / O Fabricante declara que o equipamento designado abaixo está em conformidade com a seguinte legislação de harmonização aplicável da UE / Producent deklaruje, że urządzenie wskazane poniżej jest zgodne z następującymi obowiązującymi przepisami harmonizacyjnymi UE/ De fabrikant verklaart dat de hieronder beschreven apparatuur in overeenstemming is met de volgende toepasselijke EU-harmonisatiewetgeving/ Výrobce prohlašuje, že níže uvedené zařízení je ve shodě s těmito platnými harmonizačními právními předpisy EU/ Výrobce prohlašuje, že níže uvedené zařízení je ve shodě s těmito platnými harmonizačními právními předpisy EU/ Producenten erklærer, at det nedenfor angivne udstyr er i overensstemmelse med følgende gældende EU-harmoniseringslovgivning/ Valmistaja vakuuttaa, että jäljempänä mainitut laitteet ovat seuraavien sovellettävien EU:n yhdenmukaistamislainsäädäntöjen mukaisia./ Tootja kinnitab, et allpool nimetatud seadmed vastavad järgmistele kohaldatavatele ELi ühtlustamise õigusaktidele./ Ražotājs apliecina, ka turpmāk norādītās iekārtas atbilst šādiem piemērojamiem ES saskaņošanas tiesību aktiem./ Gamintojas pareiškia, kad toliau nurodyta įranga atitinka šiuos taikytinus ES derinamuosius teisės aktus/ Производителят декларира, че посоченото по-долу оборудване е в съответствие със следното приложимо законодателство на ЕС за хармонизация/ A gyártó kijelenti, hogy az alább megjelölt berendezés megfelel a következő alkalmazandó uniós harmonizációs jogszabályoknak / Producătorul declară că echipamentul desemnat mai jos este în conformitate cu următoarea legislație de armonizare a UE aplicabilă / Ο κατασκευαστής δηλώνει ότι ο εξοπλισμός που αναφέρεται κατωτέρω συμμορφώνεται με την ακόλουθη ισχύουσα νομοθεσία ενωμοποίησης της ΕΕ/ Προϊζοδαč ovlme izjavljuje da je oprema u skladu sa zakonskim zahtjevima Uje dinjene Kraljevine./ Výrobca vyhlasuje, že nižšie uvedené zariadenie je v súlade s týmito platnými harmonizačnými právnymi predpismi EÚ/ Произвојалец изјављује, да је сподј наведена опрема складна з наследњо велјавно усклајевално законоданој ЕУ/ Производител заявяет, что указанное ниже оборудование соответствует следующим применимым законодательным актам ЕС по гармонизации/ 製造者は、以下に指定された装置が、適用される以下のEU調和法に適合していることを宣言する。/ 製造商声明, 下面指定的设备符合以下适用的欧盟协调立法。</p>
(2)	<p>Type d'équipement/ Art der Ausrüstung/ Tipo de equipo/ Tipo di attrezzatura/ Tipo de equipamento/ Rodzaj sprzętu/ Type uitrusting/ Typ zařízení/ Typ av anordning/ Type af anordning/ Laitteen tyyppi/ Seadme tüüp/ Iekārtas tips/ Įrangos tipas/ Вид оборудване/ A berendezés típusa/ Tipul de echipament/ Τύπος εξοπλισμού/ Vrsta opreme/ Typ zariadenia/ Vrsta naprave/ Тип оборудования/ 機器の種類/ 设备类型</p>
(3)	<p>Directives applicables/Anwendbare Richtlinien/Directivas aplicables/Direttive applicabili/Directivas aplicáveis/Obowiązujące dyrektywy/Toepasselijke richtlijnen/Platné smernice/Tillämpliga direktiv/Gældende direktiver/Sovellettavat direktiivit/Kohaldatavad direktiivid/Piemērojams direktīvas/Taikomos direktyvos/Приложими директиви/Alkalmazandó irányelvek/Directive aplicabile/Ισχύουσες οδηγίες/Primjenjive smjernice/Uplatnitelne smernice/Veljavne directive/Применимые директивы/適用される指令/适用的指令</p>
(4)	<p>Marqage/Markierung/Marcação/Marcatura/Marcação/Znakowanie/Marketing/Označení/Märkning/Mærkning/Merkintä/Märkistus/Marķējums/Ženklīnimas/Маркировка/Jelölés/Marcare/Ἰσημάνση/Obilježava/Označovanie /Označevanje/Маркировка/マーキング/标识</p>
(5)	<p>Normes désignées/Bezeichnete Normen /Normas designadas /Norme designate /Normas designadas /Normy wyznaczone / Aangewezen normen/Určené normy /Utpekade standarder /Udpegede standarder /Nimetyl standardit /Määratud standardid /Izraudzītie standarti /Paskirtieji standarta / Определени стандарти /Kijelölt szabványok /Standarde desemnate /Καθορισμένα πρότυπα /Određeni standardi /Určené normy / Določeni standardi /Назначенные стандарты /指定された規格/指定的标准</p>
(6)	<p>Procédure d'évaluation de la conformité/Verfahren der Konformitätsbewertung/Procedimiento de evaluación de la conformidad/Procedura di valutazione della conformità/Procedimento de avaliação da conformidade/Procedura oceny zgodności/Conformiteitsbeoordelingsprocedure/Postup posuzování shody / Förfarande för bedömning av överensstämmelse/Procedure for överensstemmelsesvurdering /Vaatimustenmukaisuuden arviointimenettely /Vastavushindamismenetlus/Atbilstības novērtēšanas procedūra /Atitikties vertinimo procedūra /Процедура за оценка на съответствието /Megfelelőségértékelési eljárás / Procedura de evaluare a conformității/Διαδικασία αξιολόγησης της συμμόρφωσης /Postupak ocjene usklađenosti /Postup posuzovania zhody /Postopek ugotavljanja skladnosti /Процедура оценки соответствия / 適合性評価手順/ 適合性評估程序</p>
(7)	<p>Cette déclaration de conformité est délivrée sous la seule responsabilité du fabricant. / Diese Konformitätserklärung wird unter der alleinigen Verantwortung des Herstellers ausgestellt./ Esta declaración de conformidad se emite bajo la única responsabilidad del fabricante./ Questa dichiarazione di conformità è rilasciata sotto la sola responsabilità del produttore./ Esta declaração de conformidade é emitida sob a exclusiva responsabilidade do fabricante./ Niniejsza deklaracja zgodności została wydana na wyłączonej odpowiedzialności producenta./ Deze verklaring van overeenstemming wordt afgegeven onder de uitsluitende verantwoordelijkheid van de fabrikant./ Toto prohlášení o shodě je vydáno na výhradní odpovědnost výrobce./ Denna försäkran om överensstämmelse utfärdas på tillverkarens eget ansvar. / Denne overensstemmelseserklæring er udstedt på producentens eget ansvar./ Tämä vaatimustenmukaisuusvakuutus annetaan valmistajan yksinomisella vastuulla./ Käesolev vastavusdeklaratsioon on välja antud tootja ainuvastutusel./ Šī atbilstības deklarācija ir izdota uz ražotāja atbildību./ Už šīs atitikties deklarācijai atsako tik gamintojas./ Настоящата декларация за съответствие се издава на пълната отговорност на производителя./ Ezt a megfelelőségi nyilatkozatot a gyártó kizárólagos felelősége mellett adjuk ki./ Prezenta declarație de conformitate este emisă pe răspunderea exclusivă a producătorului./ Η παρούσα δήλωση συμμόρφωσης εκδίδεται με αποκλειστική ευθύνη του κατασκευαστή./ Ova izjava o skladnosti izdaje se isključivo pod odgovornošću proizvođača./ Toho vyhlásenie o zhode sa vydáva na výhradnú zodpovednosť výrobcu./ Za to izjavo o skladnosti je odgovoren izključno proizvajalec./ Din iddikjarazzjoni ta' konformità għandha tinhaieg taht ir-responsabbiltà unika tal-manifattur./ Данная декларация соответствия выдана под исключительную ответственность производителя./ この適合宣言は、製造者の単独責任のもとで発行されています。/本符合性声明由制造商全权负责发布。</p>

SAMES

Siège Social / Headquarter: 13, chemin de Malacher - CS70086 - 38243 Meylan Cedex - France - Tél / Phone: +33 (0)4 76 41 60 60
 SAS au capital de 12.720.000 euros | RCS Grenoble: 572 051 688 | Code APE: 2829B | TVA intracom: FR36 572051688
info@sames.com - www.sames.com | Société d'EXEL Industries / EXEL Industries company



Sames

13, Chemin de Malacher
38240 Meylan - France
☎ 33 (0)4 76 41 60 60