



CART & TRIPOD

User manual 582220110

2022-04-29

Index A

Translation from the original instructions

SAMES KREMLIN SAS



13 Chemin de Malacher
38240 Meylan



www.sames-kremlin.com



33 (0)4 76 41 60 60

Any communication or reproduction of this document, in any form whatsoever, and any exploitation or communication of its contents is prohibited, except with the express written consent of **SAMES KREMLIN**.

The descriptions and features contained in this document are subject to change without notice.

© **SAMES KREMLIN** 2022

Contents

CONTENTS..... 3

1. PRESENTATION OF THE MATERIAL..... 4

2. INSTALLATION 4

3. DIAGNOSTIC HELP / TROUBLESHOOTING GUIDE..... 5

3.1 ASSEMBLY OPERATIONS5

3.1.1 *Mount the tripod or the cart*..... 5

3.1.2 *Mounting the pump on the tripod or the cart*..... 7

4. SPARE PARTS 8

4.1 CART ASSEMBLY8

4.2 WEAR PART NUMBERS9

4.3 CONSUMABLE REFERENCES9

Evolution table of the document

Recording revisions				
Editor	Object	Revision	Date	Modified by
C. HUSSON	Cart – Tripod	A	Week 06/2022	N. PLANTARD



WARNING

Before any intervention, it is imperative to follow the safety instructions. For further information not contained in this instruction manual, please refer to the pump's instruction manual.

Dear customer, you have just purchased your new equipment and we thank you for it.

We have taken the utmost care, from design to manufacture, so that this equipment gives you complete satisfaction.

For good use and optimal availability, we invite you to read this manual carefully before using your equipment.

1. Presentation of the material



Ind	Description	Poids
A	Wheel assembly	-
B	Tripod assembly	Tripod (without wheels) : 4.6 kg / 8.8 Lbs
		Cart (tripod with wheels) : 8.3 kg / 17.6 Lbs

The tripod and wheel assemblies are delivered disassembled with mounting hardware.

You can skip the wheel installation.

Please refer to the [Assembly](#) and [Spare Parts](#) sections for more information.

Non-intended use

The following points describe improper or prohibited use:

- ✓ Modify or alter the cart assembly in any way,
- ✓ Use a damaged cart assembly,
- ✓ Install the pump on a tripod or cart on unsuitable supports or on sloping ground.

2. Installation



WARNING

Personnel are in danger due to improper installation.

- ✓ Ensure that access routes, work areas and aisle widths are consistent with proper use.
- ✓ Install the pump on a flat and horizontal surface to prevent the pump from shifting or tipping over.
- ✓ Make sure the pump is in stable position.
- ✓ Do not install a pump other than the one provided by **SAMES KREMLIN**.

3. Diagnostic help / Troubleshooting guide



WARNING

Before any intervention, it is imperative to follow the decompression procedure and the safety instructions:

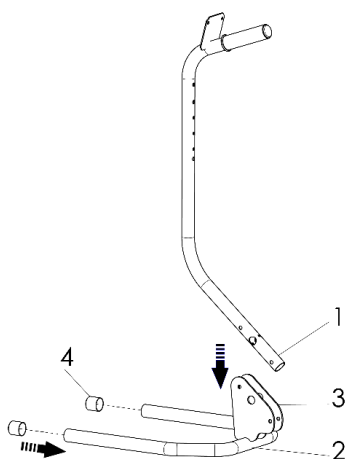
- ✓ Shut off the air inlet then depressurize the fluid network by opening the gun.

Defaults	Possible causes	Remedies
The pump on tripod or cart is not stable	Improper attachment of the pump to the arm	Check the tightness of the screw assembly.
	Installation of a pump other than the one specified in the instruction manual	Install a SAMES KREMLIN pump as described in the instruction manual.
	No or improper mounting of covers	Check the presence of the covers on each side of the wheel shaft. Replace them if necessary.
	Damaged wheels	Check the wheels. Replace the wheel assembly.
The cart pump does not move properly	Poor lubrication of the wheel shaft	Check the wheel shaft. Lubricate it if necessary.
	Damaged wheels	Check the wheels. Replace the wheel assembly.

3.1 Assembly operations

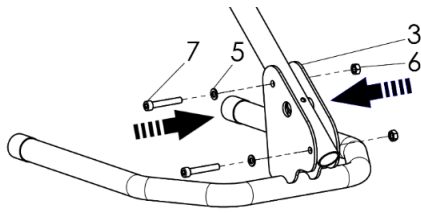
3.1.1 Mount the tripod or the cart

Step 1



- ✓ Mount the 2 hoods (4) on the base (2).
- ✓ Slide the arm (1) into the 2 brackets (3) of the base (2).

Step 2

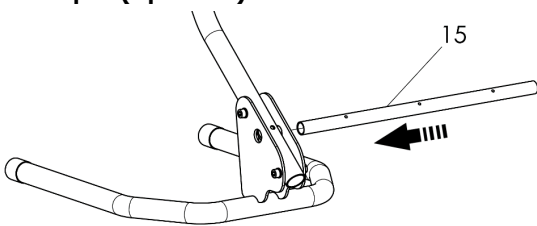


- ✓ Install, onto the 2 brackets (3), the 2 screws (7), the 2 washers (5) and the 2 nuts (6) by means of a 13 mm flat wrench.



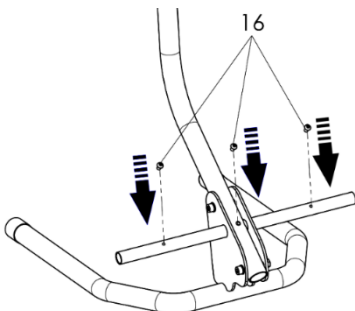
Caution: You do not need to carry out steps 3 to 5 (wheel assembly) if you only want a tripod configuration.

Step 3 (optional)



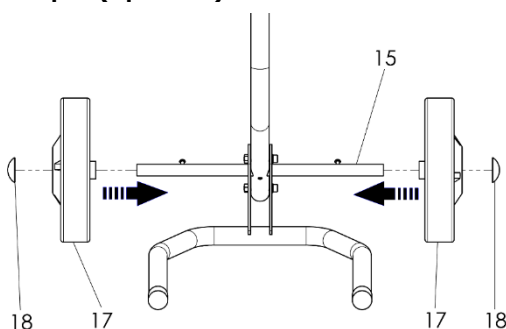
- ✓ Slide the wheels shaft (15) in the location provided.

Step 4 (optional)



- ✓ Install the 3 screws (16) by means of a 4 mm BTR wrench.

Step 5 (optional)

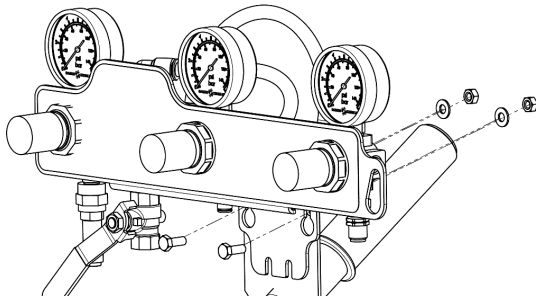


**Kluber petamo
HY 133N**

- ✓ Grease the 2 ends of the wheel shaft (15).
- ✓ Mount the 2 wheels (17) and the 2 covers (18) using a plastic mallet to avoid any risk of sparks.

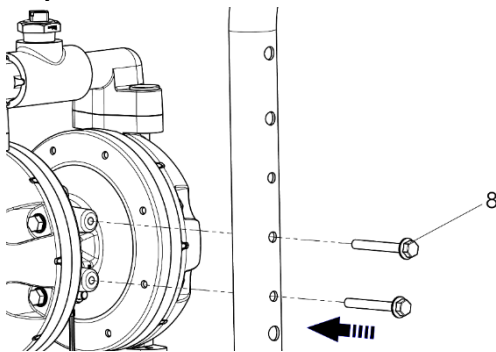
3.1.2 Mounting the pump on the tripod or the cart

Step 1



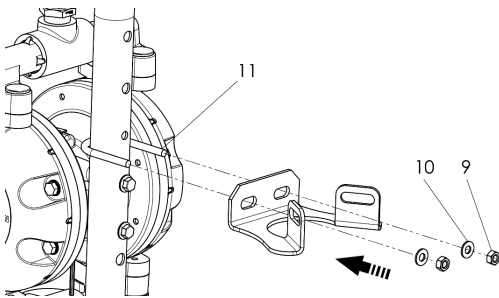
- ✓ Provide yourself with the plate (configuration shown on plate with 3 regulators).
- ✓ Position the plate on the arm of the tripod and use the 2 screws, the 2 washers and the 2 nuts to fix it (screws, nuts and washers supplied with the air plate).

Step 2



- ✓ Provide yourself with a **SAMES KREMLIN** pump (configuration shown on PRIMA™ 01D100 pump).
- ✓ Position and screw the 2 screws (8) on the pump body.

Step 3



- ✓ Mount the filter regulator support bracket (not supplied) on the tripod arm using the bracket (11), the 2 washers (10) and the 2 nuts (9).
- ✓ You can then proceed with the assembly of the accessories.

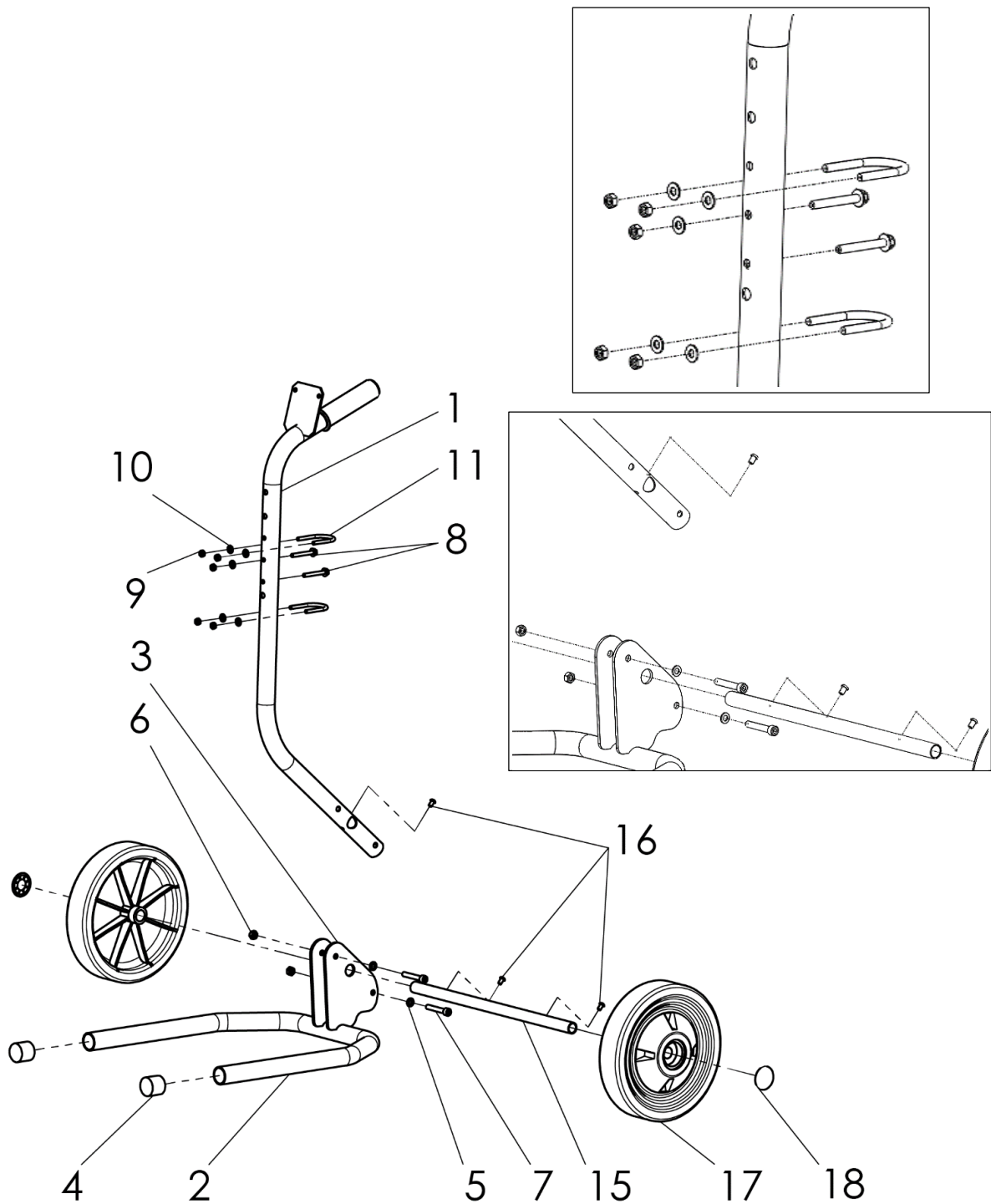


For the assembly of the pump accessories, please refer to the corresponding instruction manuals.

4. Spare parts

Use only genuine **SAMES KREMLIN** accessories and spare parts designed to withstand the operating pressures of the pump.

4.1 Cart assembly



4.2 Wear part numbers

Ind	# Part numbers	Description	Qty	Level**
*-	151 730 130	Tripod	1	1
1	NS	▪ Arm	1	0
2	NS	▪ Base	1	0
3	NS	▪ Bracket	2	0
4	NS	▪ Black hood	2	0
5	963 040 019	▪ Washer, M8 U	2	0
6	953 010 019	▪ Nut, HM 8	2	0
7	NS	▪ Screw, CHc M8 x 50	2	0
8	933 231 548	▪ Screw, H base M6 x 50	2	0
9	NS	▪ Nut, HM6	5	0
10	963 040 016	▪ Washer, M6	5	0
11	151 730 114	▪ U-bolf for tube 1" – M6 (pack of 2)	2	0
*-	151 730 140	Cart assembly (tripod + wheels)	1	1
*-	144 936 561	Cart conversion kit (shaft and wheels)	1	1
15	NS	▪ Wheel shaft	1	0
16	88 130	▪ Screw, BHc M6 x 10 stainless steel	3	0
17	NS	▪ Wheel	2	0
18	NS	▪ Cover	2	0

* Recommended maintenace parts.

N S: Denotes parts are not serviceable.

**Level 0 : Parts are not spare parts.

Level 1 : Preventive maintenance.

4.3 Consumable references

# Part number	Description
560 440 005	Box of grease Kluber petamo HY 133N (1 Kg / 2.2 lbs)