

DOCUMENTATION
PUMP 40C50
AIRLESS

Manual : 582.027.110-UK - 2403

Date: 12/03/24

Supersede : 07/06/22

Modif.: Update

TRANSLATION FROM THE ORIGINAL MANUAL

IMPORTANT : Before assembly and start-up, please read and clearly understand all the documents relating to this equipment (professional use only).


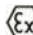
THE PICTURES AND DRAWINGS ARE NON CONTRACTUAL. WE RESERVE THE RIGHT TO MAKE CHANGES WITHOUT PRIOR NOTICE.

SAMES KREMLIN SAS
13, chemin de Malacher
38 240 - MEYLAN - France
 : 33 (0)4 76 41 60 60
www.sames-kremlin.com



DECLARATION OF INCORPORATION
OF PARTLY COMPLETED MACHINERY
EU DECLARATION OF CONFORMITY

(1) The manufacturer herewith declares that the equipment is in conformity with the relevant Union harmonization legislation.

(2) Equipment type	AIRLESS PUMP 40C50		
(3) Applicable Directives	2006/42/CE	(4) The relevant technical documentation was compiled as specified in annex VII, part B.	
		The essential health and safety requirements mentioned in the Directive 2006/42/CE on Machinery have been applied. Articles: 1.1 , 1.1.2 ,1.1.3, 1.1.5 , 1.2 , 1.2.2, 1.2.3, 1.2.4, 1.2.4.1 , 1.2.4.3 , 1.2.6, 1.3 ,1.3.1, 1.3.2, 1.3.3, 1.3.4, 1.3.6, 1.3.7, 1.3.9, 1.4,1.4.1,1.4.2, 1.4.2.1, 1.5, 1.5.2, 1.5.3, 1.5.4, 1.5.5, 1.5.6, 1.5.7, 1.5.8, 1.6, 1.6.1 , 1.6.2, 1.6.3, 1.6.4, 1.7, 1.7.1, 1.7.2	
	(5) That partly completed machinery is also in conformity with the provisions of		
	2014/34/UE	(6) Marking	AIRLESS PUMP 40C50  II 2G Ex h IIB T2 Gb X AIRLESS PUMPS WITH CUP RANGE  II 2G Ex h IIB T1-T6 Gb X Ex h => Protection par sécurité de construction (c) / Protection by constructional safety (c) Conditions spéciales d'utilisation, le signe X indique de se référer aux prescriptions figurant dans le manuel d'instructions qui accompagnent le produit. - Specific conditions of use, X indicates to refer to the prescriptions specified in the instructions manual that accompanies the product.
		(7) Harmonised standards	EN ISO 80079-36 : 2016 EN ISO 80079-37 : 2016 EN 1127-1 : 2019
		(8) Conformity assessment procedure	Module A Technical documentation (Annex VIII)
(9) Notified body	INERIS 0080 – 60550 Verneuil-en-Halatte – France – INERIS-EQEN		
<p>(10) This partly completed machinery must not be put into service until the final machinery in which it is to be incorporated has been declared in conformity with Directive 2006/42/CE on Machinery.</p> <p>Sames is allowed to compile the technical documentation.</p> <p>Sames undertakes to transmit, in response to a reasoned request by the national authorities, relevant information on the partly completed machinery in the most appropriate form. This declaration of incorporation of partly completed machinery and this declaration of conformity are issued under the sole responsibility of the manufacturer.</p>			

Director of the STAINS site - Executive Management (EM)

Hervé WALTER

Established in Stains, on 05th March 2024

DocuSigned by:

Herve Walter

361F833E514C4D1...

SAMES

Siège Social / Headquarter: 13, chemin de Malacher - CS70086 - 38243 Meylan Cedex - France - Tél / Phone: +33 (0)4 76 41 60 60

SAS au capital de 12.720.000 euros | RCS Grenoble: 572 051 688 | Code APE: 2829B | TVA intracom: FR36 572051688



DECLARATION OF INCORPORATION
OF PARTLY COMPLETED MACHINERY
UK DECLARATION OF CONFORMITY

(1) The manufacturer herewith declares that the equipment is in conformity with the UK statutory requirements.

(2) Equipment type	AIRLESS PUMP 40C50			
(3) Applicable Directives	2008 No. 1597	(4) The relevant technical documentation was compiled as specified in annex VII, part B.	The essential health and safety requirements mentioned in Supply of Machinery (Safety) Regulations 2008 have been applied. Articles: 1.1 , 1.1.2 ,1.1.3, 1.1.5 , 1.2 , 1.2.2, 1.2.3, 1.2.4, 1.2.4.1 , 1.2.4.3 , 1.2.6, 1.3 ,1.3.1, 1.3.2, 1.3.3, 1.3.4, 1.3.6, 1.3.7, 1.3.9, 1.4,1.4.1,1.4.2, 1.4.2.1, 1.5, 1.5.2, 1.5.3, 1.5.4, 1.5.5, 1.5.6, 1.5.7, 1.5.8, 1.6, 1.6.1 , 1.6.2, 1.6.3, 1.6.4, 1.7, 1.7.1, 1.7.2	
	(5) That partly completed machinery is also in conformity with the provisions of			
	2016 No. 1107	(6) Marking	AIRLESS PUMP 40C50 ⊕ II 2G Ex h IIB T2 Gb X	AIRLESS PUMPS WITH CUP RANGE ⊕ II 2G Ex h IIB T1-T6 Gb X Ex h => Protection par sécurité de construction (c) / Protection by constructional safety (c) Conditions spéciales d'utilisation, le signe X indique de se référer aux prescriptions figurant dans le manuel d'instructions qui accompagnent le produit. - Specific conditions of use, X indicates to refer to the prescriptions specified in the instructions manual that accompanies the product.
			(7) Designated standards	EN ISO 80079-36 : 2016 EN ISO 80079-37 : 2016 EN 1127-1 : 2019
	(8) Conformity assessment procedure	Module A Technical documentation (Annex VIII)		
(9) Approved body		CML 2503 - Ellesmere Port - United Kingdom		
(10) This partly completed machinery must not be put into service until the final machinery in which it is to be incorporated has been declared in conformity with Supply of Machinery (Safety) Regulations 2008. Sames is allowed to compile the technical documentation. Sames undertakes to transmit, in response to a reasoned request by the national authorities, relevant information on the partly completed machinery in the most appropriate form. This declaration of incorporation of partly completed machinery and this declaration of conformity are issued under the sole responsibility of the manufacturer.				

Director of the STAINS site - Executive Management (EM)

Hervé WALTER

Established in Stains, on 05th March 2024

DocuSigned by:

Herve Walter

361F833E514C4D1...

Sames

Siège Social / Headquarter: 13, chemin de Malacher - CS70086 - 38243 Meylan Cedex - France - Tél / Phone: +33 (0)4 76 41 60 60

SAS au capital de 12.720.000 euros | RCS Grenoble: 572 051 688 | Code APE: 2829B | TVA intracom: FR36 572051688



INSTALLATION AND SAFETY INSTRUCTIONS

TRANSLATION FROM THE ORIGINAL MANUAL

IMPORTANT : Before assembly and start-up, please read and clearly understand all the documents relating to this equipment (professional use only).

THE PICTURES AND DRAWINGS ARE NON CONTRACTUAL. WE RESERVE THE RIGHT TO MAKE CHANGES WITHOUT PRIOR NOTICE.

SAMES KREMLIN SAS
13, chemin de Malacher
38 240 - MEYLAN - France
☎ : 33 (0)4 76 41 60 60

www.sames-kremlin.com

1. SAFETY INSTRUCTIONS

GENERAL SAFETY INSTRUCTIONS



CAUTION : The equipment can be dangerous if you do not follow our instructions concerning installation and servicing described in this manual and in accordance with applicable European standards and local national safety regulations.

Please carefully read all the instruction literature before operating your equipment.

Only trained operators can use the equipment.

The foreman must ensure that the operator has understood the safety instructions for this equipment as well as the instructions in the manuals for the different parts and accessories.

Read carefully all instruction manuals, label markings before operating the equipment.

Incorrect use may result in injury. This equipment is for professional use only. It must be used only for what it has been designed for. Never modify the equipment. The parts and accessories supplied must be regularly inspected. Defective or worn parts must be replaced.

Guards (motor cover, coupling shields, connectors,...) have been designed for a safe use of the equipment.
The manufacturer will not be held responsible for bodily injury or failure and / or property damage due to destruction, the overshadowing or the partial or total removal of the guards.

Never exceed the equipment components' maximum working pressure.

Comply with regulations concerning safety, fire risks, electrical regulations in force in the country of final destination of the material. Use only products or solvent compatible with the parts in contact with the material (refer to data sheet of the material manufacturer).

PICTOGRAMS

A	D	F	E	C	G
NIP HAZARD	WARNING MOVING ELEVATOR	WARNING MOVING PARTS	WARNING MOVING SHOVEL	DO NOT EXCEED THIS PRESSURE	HIGH PRESSURE HAZARD
H	J	L	K	M	Q
RELIEF OR DRAIN VALVE	WARNING HOSE UNDER PRESSURE	WEAR GLASSES OBLIGATORY	WEAR OF GLOVES IS OBLIGATORY	PRODUCT VAPOR HAZARDS	WARNING HOT PARTS OR AREAS
N	P	R	S	T	U
ELECTRICAL HAZARD	WARNING FIRE HAZARDS	EXPLOSION HAZARDS	GROUNDING	WARNING (USER)	WARNING SERIOUS INJURIES

PRESSURE HAZARDS



Current legislation requires that an **air relief** valve be fitted in the air supply circuit to the air motor to prevent over pressurisation. This safety feature, ensures that it is not possible to supply the air motor with excessive air pressure that may cause injury.

Please ensure that a **material drain valve** is fitted in the fluid circuit to drain and depressurise the circuit. Once depressurised and drained, work /servicing may then commence on the equipment. Please remember to close these valves when restarting the system.

HIGH PRESSURE INJECTION HAZARDS



When working with high pressure equipment, special care is required. Fluid leaks can occur. There is a risk of material being injected to any exposed parts of body, this could cause severe injury :

- medical care must be sought immediately if paint is injected under the skin or in other parts of the body (eyes, fingers).
- never point the spray gun at any one. Never try to stop the spray with your hands or fingers nor with rags or similars.
- **follow the shut down procedure and always depressurize air and fluid circuits** before carrying out any servicing on the gun (cleaning, checking, maintenance of the material or cleaning of the gun nozzles).
- for the guns equipped with a safety device, always lock the trigger when not in use.

FIRE - EXPLOSION - SPARKS - STATIC ELECTRICITY HAZARDS

A poor earth connection, inadequate ventilation, sparks or static electricity can cause an explosion or fire. to avoid these risks when using or servicing SAMES KREMLIN equipment, the following safety procedures must be followed :



- ensure a good earth connection and ground the parts to be handled i.e. solvents, materials, components and equipment,
- ensure adequate ventilation,
- keep working area clean and free from waste solvents, chemicals, or solid waste i.e. rags, paper and empty chemicals drums,
- never use electrical switches / power if in an atmosphere of volatile solvent vapour,
- stop working immediately in case of electrical arcs,
- never store chemicals and solvents in the working area.
- use paint whose flash point is the highest possible to prevent from any formation of gas and inflammable vapours (refer to materials' safety instructions),
- install a cover on the drums to reduce the diffusion of gas and vapours in the spraybooth.

TOXIC PRODUCT HAZARDS



Toxic products or vapours can cause severe injury not only though contact with the body, but also if the products are ingested or inhaled. It is imperative :

- to know the material products and their risks,
- notified or hazardous materials must be stored in accordance with the regulations,
- the material must be stored in an appropriate container, never place materials in a container where there is a risk of spillage or leakage,
- a procedure must be applied for the safe disposal of waste material. It must comply with all prevailing regulations and legislations of the country where the equipment is to be used,
- protective clothing should always be worn in compliance with the material manufacturers' recommendations,
- depending on the application and chemical safety instructions, safety glasses, hearing protective earplug, gloves, foot wear, protective masks and possible breathing equipment should be worn to comply with the regulations (Refer to chapter "Safety equipment of SAMES KREMLIN selection guide).



CAUTION!

It is forbidden to use material containing high concentrations of halogenated hydrocarbon solvents with **aluminium** or **zinc fillers**. Non-compliance with the instructions may cause explosion risk causing serious or fatal injury.



EQUIPMENT REQUIREMENTS

Guards (motor cover, coupling shields, connectors,...) have been designed for a safe use of the equipment.
The manufacturer will not be held responsible for bodily injury or failure and / or property damage due to destruction, the overshadowing or the partial or total removal of the guards.



PUMP

Before carrying out any work, it is imperative to read and clearly understand the disassembly and reassembly instructions before servicing. The operator must understand the equipment and the safety instructions. These instructions are available in the equipment manuals.

The air motor is designed to be mounted with a pump. Never modify any components or couplings. When operating, please keep hands away from moving parts. Before starting up the equipment, please read the PRESSURE RELIEF instructions. Please ensure that any relief or drain valves fitted are in good working order.

HOSES

- Keep hoses out of circulation areas, moving parts or hot surfaces,
- Never expose product hoses to temperature higher than + 60°C / 140° F or lower than 0°C / 32° F,
- Never pull or use the hoses to move the equipment,
- Tighten all fittings as well as the hoses before operating the equipment,
- Check the hoses regularly; change them if they are damaged,
- Never exceed the maximum working pressure (MWP) indicated on the hose.

USED PRODUCTS

Considering the wide variety of products that are available and can be used in our equipment it is impossible to check and make recommendations for all chemical data, regarding the risks of possible chemical attack and their long term chemical reaction


SAMES KREMLIN can not be held liable for :

- compatibility of wetted parts,
- risks to staff and the surroundings,
- for worn or defective parts, for faulty equipment or units, or the quality of final product.

It is the responsibility of the user to know and prevent any possible risks such as toxic vapours, fires or explosions. He shall determine the risks of immediate reactions or pursuant to repeated exposures of the staff,

SAMES KREMLIN shall not be liable for physical injuries, direct or indirect material damages caused by the use of chemicals.

2. HANDLING

 **Check the weight and the dimensions of the equipment**
(☞ refer to 'Technical features' section of the instruction manual)

If weight and dimensions are too important, the unloading must be carried out by means of a forklift or any other appropriate means with a qualified personnel and in a clear horizontal area to prevent from risks of damage injury or an accident.

The centre of gravity is not in the centre of the machine : carry out by hand a stability-test after having lifted the whole at 10 cm / 3.937" maximum.

After the unloading, the handling of the whole (eg: elevator pump) is carried out by means of a pallet truck taking the bottom part of the frame.

Remark : Each pump motor is fitted with a ring. The ring is designed for the hoisting of one pump and can not be used for the handling of the complete assembly.

3. STORING

Storing before installation :

- Storing ambient temperature : 0 / +50 °C / 0 / +122°F
- Protect the whole against dust, water trickling, dampness and shocks.

Storing after installation :

- Operating temperature : +15 / +35 °C / +59 / +138.2° F
- Protect the whole against dust, water tricing, dampness and shocks.

4. INSTALLATION OF THE EQUIPMENT

The machine is installed on a stable horizontal floor (for eg a concrete flag).

The machine shall be made stable by the use of holding down bolts or by the use of other anchoring methods, strong enough to prevent unintended bodily movement of the equipment.



To avoid risks caused by static electricity, the equipment as well as its components must be grounded.

- **For the pumping equipments** (pumps, pneumatic rams, frame...), a section wire of 2.5 mm² is fixed on the material. Use this wire to connect the material to "the general ground". In case of severe environments (mechanical protection of the wire of earthing insufficient, vibrations, mobile material...) where function damages at the ground are probable, the user have to replace the provided wire of 2.5 mm² by a device more adapted to its environment (wire with a more important section, bonding strip, fixing by thimble with eyelet...).

The continuity of the ground must be controlled by a qualified electrician. If the continuity of the ground is not ensured, check the terminal, the wire and the earthing point. **Never** use the material without have solved this problem.

- In the severe cases of environments (mechanical protection of the wire of earthing insufficient, vibrations, mobile material...) where damages of the function put at the ground are probable, the user will have to replace the wire of 2.5 mm² provided, by a device more adapted to its environment (wire of more important section, bonding strip, fixing by thimble with eyelet...),
- **The gun** must be 'grounded' via a material hose or an air hose. In case of spraying by means of a gun with cup, the air hose must be conductive,
- **The materials to be painted** must also be grounded.

All the materials situated in the working area shall be grounded.



- **Never store** more than necessary inflammable materials inside the working area,
- The materials must be stored into **approved drums** and grounded,
- Use only grounded **metals containers** for the use of cleaning solvents,
- **Cardboard and paper are prohibited.**

5. MARKING OF THE EQUIPMENT



Each equipment has a label plate with the name of the manufacturer, the equipment part number, the interesting informations to use correctly the equipment (pressure, voltage,...) and sometimes the above pictogram.

The equipment is designed with and consists of high quality materials and components which can be re-used.

The 2012/19/UE European Directive covers all equipments with a crossed-out bin pictogram. Please inform yourself about the collection systems for electric and electronic equipments.

Please act in accordance with local rules and **do not dispose of old equipment with household wastes**. A correct disposal of old equipment will help prevent negative consequences for the environment and health.



AIRLESS PUMP

40C50

Disassembly / Reassembly

TRANSLATION FROM THE ORIGINAL MANUAL

IMPORTANT : Before assembly and start-up, please read and clearly understand all the documents relating to the equipment (professional use only).

THE PICTURES AND DRAWINGS ARE NOT CONTRACTUAL. WE RESERVE THE RIGHT TO MAKE CHANGES WITHOUT PRIOR NOTICE.

SAMES KREMLIN SAS
13, chemin de Malacher
38 240 - MEYLAN - France
☎ : 33 (0)4 76 41 60 60
www.sames-kremlin.com



CAUTION :

Before any action on the pump, shut off the compressed air supply and depressurize the system.

The pump is manufactured under the ATEX agreement and can not be modified. SAMES KREMLIN will not be held responsible for any failure to comply with that instruction.

Guards (air motor cover, coupling shields, housings ...) have been designed for safe use of the equipment.

The manufacturer will not be held responsible for bodily injury or failure and / or damage to property due to removal or partial removal of the guards

▪ **SUCTION VALVE (REFER TO DOC. 573.032.050)**

Unscrew suction valve (5) by holding cylinder (2).

The ball (10) is secured on the valve (5) by means of a circlips (9).

Clean the parts.

Reinstall suction valve (5) and seal (25). Replace them if necessary.

▪ **EXHAUST VALVE**

Unscrew cylinder (2) and pull it downwards.

Unscrew exhaust valve (6) by holding piston (3).

Remove ball (15).

Clean the parts and reinstall them. Be certain seal (8) is installed. Replace the parts if necessary.

▪ **LOWER MOBILE PACKING**

Unscrew cylinder (2) and pull it downwards.

Unscrew stuffing-box (7) to release GT seal (13) from exhaust valve (6).

Remount the parts in reverse order.

When reassembling :

- Install the GT seal onto exhaust valve (6).
 - Screw stuffing-box (7).
 - The seal must be blocked by screwing mobile stuffing-box (7) onto exhaust valve (6) strongly.
- If necessary replace seal (8) when reinstalling cylinder (2).

▪ **UPPER PACKING**

Separate the piston rod from the motor and the piston from the fluid section.

Unscrew wetting-cup (4) by means of the wrench supplied with the pump.

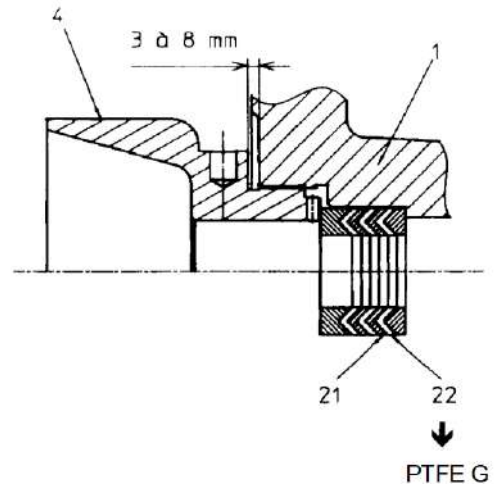
Pull piston (3) upwards to remove seals (21 and 22) from upper packing (18).

Reinstall parts in reverse order. Be certain seals (21 and 22) are installed properly (direction, order and assembly dimension).

Tighten wetting-cup (4).

After reassembly, fill up the pump with solvent and increase pressure to maximum in the fluid section. Then stop the pump and open exhaust valve to depressurize.

Retighten wetting-cup (4) by means of the wrench, in order to be in accordance with the opposite drawing.



▪ **REVERSING BLOCK (REFER TO DOC. 573.087.040)**

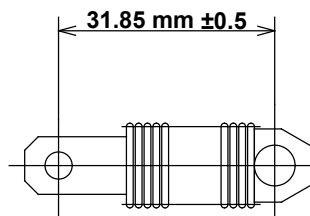
**Guards (air motor cover, coupling shields, housings ...) have been designed for safe use of the equipment.
The manufacturer will not be held responsible for bodily injury or failure and / or damage to property due to removal or partial removal of the guards**

Disassemble cover (32) by removing the 3 CHc screws (33).

Dissociate female yoke (12) from reversing block lever (9).

Dismount reversing block by removing screws (10 and 8).

Reinstall the new reversing block in the reverse order of the disassembly sequence.

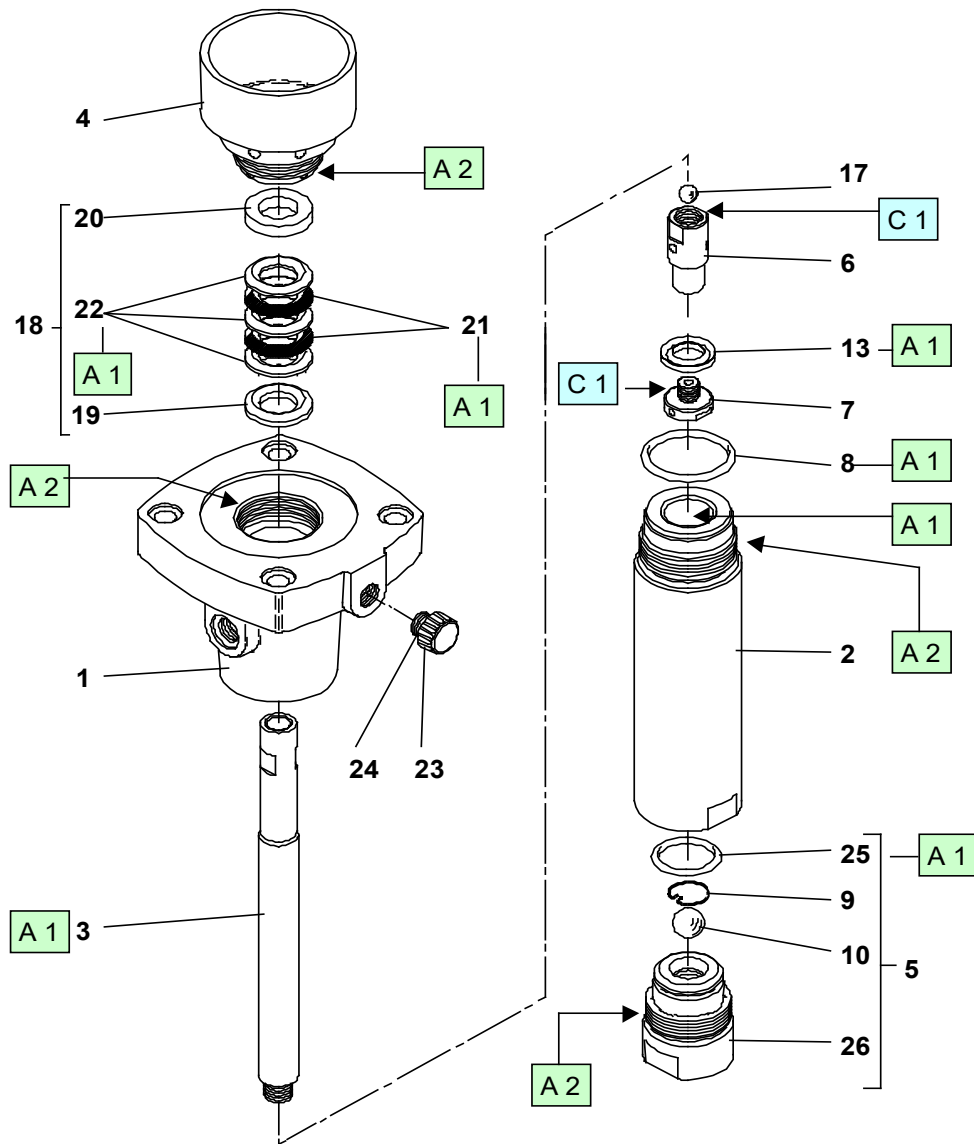


⇒ **CAUTION :** The number of spirals must equally be distributed on each fastening parts in order to get the above dimension.

Before reassembling :

- Clean the parts with the appropriate cleaning solvent.
- Install new seals if it is necessary after having lubricated them with PTFE grease.
- Install new parts if it is necessary.

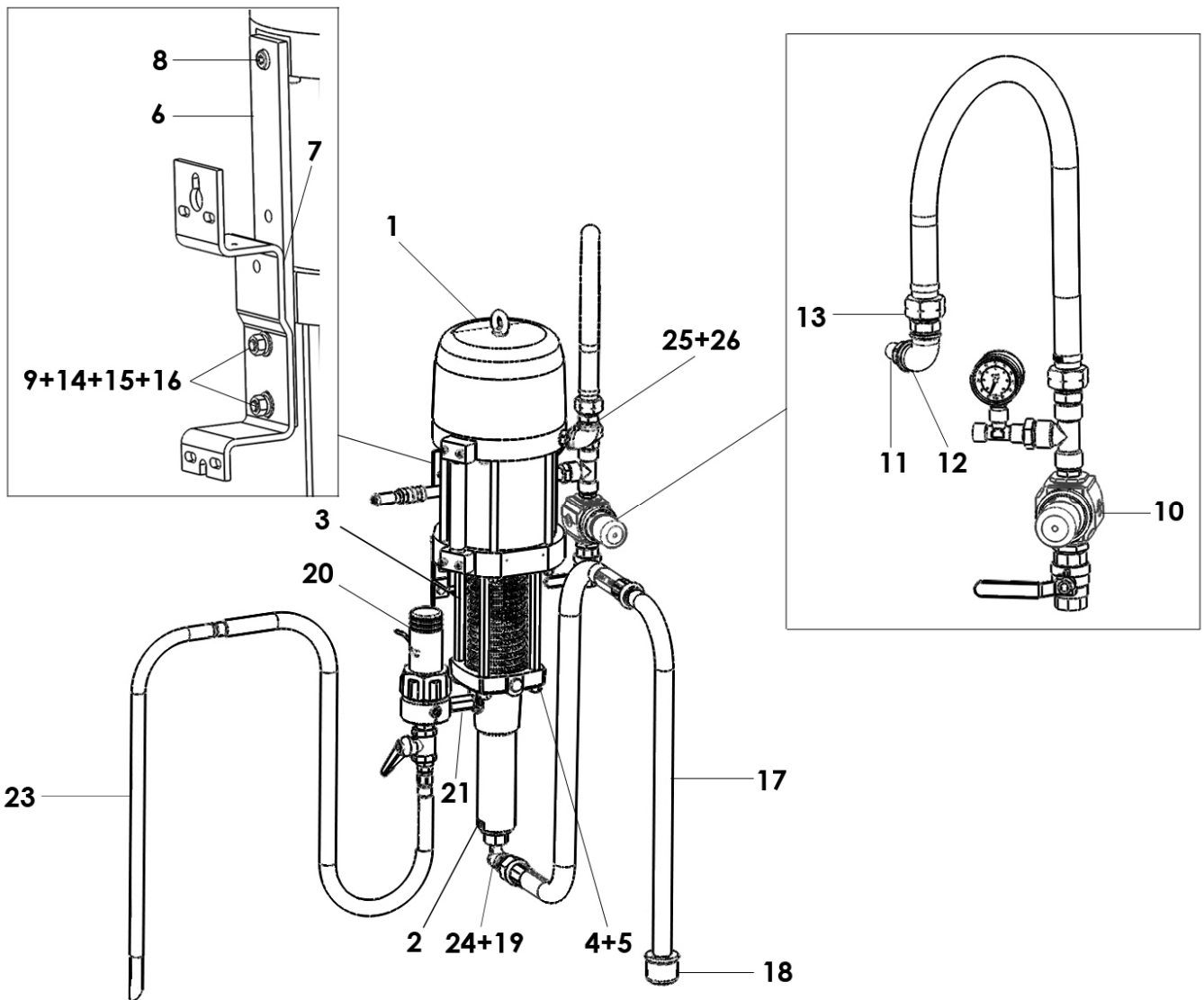
▪ ASSEMBLY INSTRUCTIONS



Index	Instruction	Description	Part number
A 1	PTFE grease	'TECHNILUB' grease (10 ml / 0.0026 US gal)	560.440.101
A 2	Anti-seize grease	Grease box (450 g / 0.99 lb)	560.420.005
C 1	Medium strength Aneorobic Pipe sealant	Loctite 5772 (50 ml / 0.013 US gal)	554.180.015

<p>Doc. 573.257.050 Date/Datum/Fecha : 15/09/20 Annule/Cancel/ Ersetzt/Anula : 05/10/18</p>	<p>Modif. / Änderung : # 151 265 105 + 144 130 196</p>	<p>Pièces de rechange Spare parts list Ersatzteilliste Piezas de repuesto</p>
---	---	---

40C50	<p>POMPE AIRLESS® / AIRLESS PUMP AIRLESS PUMPE / BOMBA AIRLESS</p>
--------------	---



POMPE MURALE, modèle 40C50 sans filtre, sans canne d'aspiration	WALL MOUNTED PUMP, model 40C50 without filter, without suction rod	# 151.775.050
WANDANLAGE, Modell 40C50 ohne Filter, ohne Saugschlauch	BOMBA MURAL, tipo 40C50 sin filtro, sin caña de aspiración	

Ind	#	Désignation	Description	Bezeichnung	Denominación	Qté
-	151 775 000	Pompe 40C50 nue	Bare pump, model 40C50	Pumpe 40C50, nackt	Bomba sola, tipo 40C50	1
*1	146 275 000	▪ Moteur 1000-4 (voir Doc. 573.045.050)	▪ Air motor, model 1000-4 (refer to Doc. 573.045.050)	▪ Luftmotor 1000-4 (siehe Dok. 573.045.050)	▪ Motor, tipo 1000-4 (consultar Doc. 573.045.050)	1
*2	144 950 000	▪ Hydraulique C50 (voir Doc. 573.032.050)	▪ Fluid section, model C50 (refer to Doc. 573.032.050)	▪ Hydraulikteil C50 (siehe Dok. 573.032.050)	▪ Hidráulica, tipo C50 (consultar Doc. 573.032.050)	1
3	051 770 001	▪ Tirant	▪ Tie-rod, connecting	▪ Stehbolzen	▪ Tirante	4
4	953 010 021	▪ Ecrou HM 10	▪ Nut, model HM 10	▪ Mutter HM 10	▪ Tuerca, tipo HM 10	4
5	963 040 021	▪ Rondelle MN 10	▪ Washer, model MN 10	▪ Scheibe MN 10	▪ Arandela, tipo MN 10	4
-	050 311 902	▪ Ressort de protection	▪ Protective spring	▪ Feder	▪ Muelle de protección	1
*-	151 775 010	Ensemble fixation	Mounting assembly	Montageplatte kpl.	Conjunto de fijación	1
6	051 770 101	▪ Plaque d'interface	▪ Plate	▪ Befestigungsplatte	▪ Placa	1
7	933 011 279	▪ Vis H 8 x 20	▪ Screw, model H 8 x 20	▪ Schraube H 8 x 20	▪ Tornillo, tipo H 8 x 20	1
8	933 151 147	▪ Vis CHc M 8 x 10	▪ Screw, model CHc M 8 x 10	▪ Schraube CHc M 8 x 10	▪ Tornillo, tipo CHc M 8 x 10	1
9	NC / NS	▪ Vis HM 8 x 25	▪ Screw, model HM 8 x 25	▪ Schraube HM 8 x 25	▪ Tornillo, tipo HM 8 x 25	2
14	88 664	▪ Rondelle W8	▪ Washer, model W8	▪ Scheibe W8	▪ Arandela, tipo W8	2
15	963 040 019	▪ Rondelle MN 8	▪ Washer, model MN 8	▪ Scheibe MN 8	▪ Arandela, tipo MN 8	2
16	953 010 019	▪ Ecrou HM 8	▪ Nut, model HM 8	▪ Mutter HM 8	▪ Tuerca, tipo HM 8	2
*10	151 790 160	Equipement d'air 1/2" (voir Doc. 573.403.050)	Air supply, model 1/2" (refer to Doc. 573.403.050)	Luftausrüstung 1/2" (siehe Dok. 573.403.050)	Equipo de aire 1/2" (consultar Doc. 573.403.050)	1
13	050 102 401	Raccord, M 3/4 NPS - M 1/2 G	Fitting, double male, 3/4 NPS - 1/2 G	Doppelnippel AG 3/4 NPS - 1/2 G	Racor, M 3/4 NPS - M 1/2 G	1
19	050 102 437	Raccord inox, M 1/2 BSP - M 26 x 125	Fitting, stainless steel, double male, 1/2 BSP - 26 x 125	Nippel Edelstahl AG 1/2 BSP - M 26 x 1,25	Racor inox, M 1/2 BSP - M 26 x 125	1
24	905 210 403	Coude MF 1/2 inox	Elbow, model MF 1/2 stainless steel	Winkelnippel Edelstahl AG/IG 1/2	Codo MH 1/2 inox	1
25	552 473	Mamelon MM 3/8" - 1/2"	Nippel, model double male 3/8" - 1/2"	Nippel, AG/AG 3/8" - 1/2"	Manguito, MM 3/8" - 1/2"	1
26	552 428	Coude FF 1/2"	Elbow, FF 1/2"	Winkelnippel IG 1/2"	Codo, HH 1/2"	1
-	905 210 503	Raccord inox M 3/8 NPT - M 1/2 JIC	Adaptor, stainless steel, double male, 3/8 NPT - # 5 JIC (1/2 JIC)	Doppelnippel Edelstahl 3/8 NPT - 1/2 JIC	Racor inox M 3/8 NPT - M 1/2 JIC	1

POMPE MURALE, modèle 40C50 sans filtre, avec canne d'aspiration	WALL MOUNTED PUMP, model 40C50 without filter, with suction rod	# 151.775.100
WANDANLAGE, Modell 40C50 ohne Filter, mit Saugschlauch	BOMBA MURAL, tipo 40C50 sin filtro, con caña de aspiración	

Ind	#	Désignation	Description	Bezeichnung	Denominación	Qté
-	151 775 000	Pompe 40C50 nue	Bare pump, model 40C50	Pumpe 40C50, nackt	Bomba sola, tipo 40C50	1
*1	146 275 000	▪ Moteur 1000-4 (voir Doc. 573.045.050)	▪ Air motor, model 1000-4 (refer to Doc. 573.045.050)	▪ Luftmotor 1000-4 (siehe Dok. 573.045.050)	▪ Motor, tipo 1000-4 (consultar Doc. 573.045.050)	1
*2	144 950 000	▪ Hydraulique C50 (voir Doc. 573.032.050)	▪ Fluid section, model C50 (refer to Doc. 573.032.050)	▪ Hydraulikteil C50 (siehe Dok. 573.032.050)	▪ Hidráulica, tipo C50 (consultar Doc. 573.032.050)	1
3	051 770 001	▪ Tirant	▪ Tie-rod, connecting	▪ Stehbolzen	▪ Tirante	4
4	953 010 021	▪ Ecrou HM 10	▪ Nut, model HM 10	▪ Mutter HM 10	▪ Tuerca, tipo HM 10	4
5	963 040 021	▪ Rondelle MN 10	▪ Washer, model MN 10	▪ Scheibe MN 10	▪ Arandela, tipo MN 10	4
-	050 311 902	▪ Ressort de protection	▪ Protective spring	▪ Feder	▪ Muelle de protección	1
*-	151 775 010	Ensemble fixation	Mounting assembly	Montageplatte kpl.	Conjunto de fijación	1
6	051 770 101	▪ Plaque d'interface	▪ Plate	▪ Befestigungsplatte	▪ Placa	1
7	933 011 279	▪ Vis H 8 x 20	▪ Screw, model H 8 x 20	▪ Schraube H 8 x 20	▪ Tornillo, tipo H 8 x 20	1
8	933 151 147	▪ Vis CHc M 8 x 10	▪ Screw, model CHc M 8 x 10	▪ Schraube CHc M 8 x 10	▪ Tornillo, tipo CHc M 8 x 10	1
9	NC / NS	▪ Vis HM 8 x 25	▪ Screw, model HM 8 x 25	▪ Schraube HM 8 x 25	▪ Tornillo, tipo HM 8 x 25	2
14	88 664	▪ Rondelle W8	▪ Washer, model W8	▪ Scheibe W8	▪ Arandela, tipo W8	2
15	963 040 019	▪ Rondelle MN 8	▪ Washer, model MN 8	▪ Scheibe MN 8	▪ Arandela, tipo MN 8	2
16	953 010 019	▪ Ecrou HM 8	▪ Nut, model HM 8	▪ Mutter, model HM 8	▪ Tuerca, tipo HM 8	2
*10	151 790 160	Equipement d'air 1/2" (voir Doc. 573.403.050)	Air supply, model 1/2" (refer to Doc. 573.403.050)	Luftausrüstung 1/2" (siehe Dok. 573.403.050)	Equipo de aire 1/2" (consultar Doc. 573.403.050)	1
11	904 523 006	Raccord, M 3/8 BSP - M 1/2 BSP	Fitting, double male, 3/8 BSP - 1/2 BSP	Doppelnippel AG 3/8 BSP - 1/2 BSP	Racor, M 3/8 BSP - M 1/2 BSP	1
12	904 123 004	Coude FF 1/2	Elbow, FF 1/2	Winkelnippel IG 1/2	Codo, HH 1/2	1
13	050 102 401	Raccord, M 1/2 BSP - M 3/4 NPS	Fitting, double male, 1/2 BSP - 3/4 NPS	Doppelnippel AG 1/2 BSP - 3/4 NPS	Racor, M 1/2 BSP - M 3/4 NPS	1
17	149 596 150	Canne d'aspiration Ø 25 (Lg. 600 mm)	Suction rod, Ø 25 (Length 600 mm)	Saugschlauch Ø 25 (Länge 600 mm)	Caña de aspiración Ø 25 (Longitud 600 mm)	1
18	149 596 152	▪ Crépine Ø 25	▪ Strainer Ø 25	▪ Siebkörbe Ø 25	▪ Piña Ø 25	1
19	050 102 437	Raccord inox, M 1/2 BSP - M 26 x 125	Fitting, stainless steel, double male, 1/2 BSP - 26 x 125	Nippel Edelstahl AG 1/2 BSP - M 26 x 1,25	Racor inox, M 1/2 BSP - M 26 x 125	1

Ind	#	Désignation	Description	Bezeichnung	Denominación	Qté
24	905 210 403	Coude MF 1/2 inox	Elbow, model MF 1/2 stainless steel	Winkelnippel Edelstahl AG/IG 1/2	Codo MH 1/2 inox	1
25	552 473	Mamelon MM 3/8" - 1/2"	Nippel, model double male 3/8" - 1/2"	Nippel, AG/AG 3/8" - 1/2"	Manguito, MM 3/8" - 1/2"	1
26	552 428	Coude FF 1/2"	Elbow, FF 1/2"	Winkelnippel IG 1/2"	Codo, HH 1/2"	1

POMPE MURALE, modèle 40C50 avec filtre, sans canne d'aspiration	WALL MOUNTED PUMP, model 40C50 with filter, without suction rod	# 151.775.150
WANDANLAGE , Modell 40C50 mit Filter, ohne Saugschlauch	BOMBA MURAL, tipo 40C50 con filtro, sin caña de aspiración	

Ind	#	Désignation	Description	Bezeichnung	Denominación	Qté
-	151 775 050	Pompe murale sans filtre, sans canne d'aspiration	Wall mounted pump without filter, without suction rod	Wandpumpe ohne Filter, ohne Saugschlauch	Bomba mural sin filtro, sin caña de aspiración	1
20	155 580 400	Filtre AIRLESS® inox 3/8 (voir Doc. 573.299.050)	AIRLESS filter 3/8, stainless steel (refer to Doc. 573.299.050)	AIRLESS Filter 3/8, Edelstahl (siehe Dok. 573.299.050)	Filtro AIRLESS inox 3/8 (consultar Doc. 573.299.050)	1
23	049 596 000	Canne de purge inox Ø 16	Drain rod, stainless steel, Ø 16	Entleerungsrohr, Edelstahl Ø 16	Caña de purga inox Ø 16	1
-	905 160 218	Raccord tournant inox (M 1/4 G - F 1/2 JIC)	Swivel fitting, stainless steel (M 1/4 G - F 1/2 JIC)	Drehgelenk, Edelstahl (AG 1/4 G - IG 1/2 JIC)	Racor giratorio inox (M 1/4 G - H 1/2 JIC)	1
-	905 210 201	Raccord inox M 3/8 BSP - F 1/4 BSP	Fitting, stainless steel M 3/8 " - F 1/4 "	Reduzier Nippel, Edelstahl AG 3/8 " BSP - IG 1/4 " BSP	Racor inox M 3/8 BSP - H 1/4 BSP	1

POMPE MURALE, modèle 40C50 avec filtre et canne d'aspiration	WALL MOUNTED PUMP, model 40C50 with filter and suction rod	# 151.775.200
WANDANLAGE , Modell 40C50 mit Filter und Saugschlauch	BOMBA MURAL, tipo 40C50 con filtro y caña de aspiración	

Ind	#	Désignation	Description	Bezeichnung	Denominación	Qté
-	151 775 100	Pompe murale sans filtre, avec canne d'aspiration	Wall mounted pump without filter, with suction rod	Wandpumpe ohne Filter, mit Saugschlauch	Bomba mural sin filtro, con caña de aspiración	1
20	155 580 400	Filtre AIRLESS® inox 3/8 (voir Doc. 573.299.050)	AIRLESS filter 3/8, stainless steel (refer to Doc. 573.299.050)	AIRLESS Filter 3/8, Edelstahl (siehe Dok. 573.299.050)	Filtro AIRLESS inox 3/8 (consultar Doc. 573.299.050)	1
21	055 580 301	Manchon inox MM 3/8 NPT	Sleeve, stainless steel MM 3/8 NPT	Langnippel, Edelstahl AG 3/8 NPT	Manguito inox MM 3/8 NPT	1
23	049 596 000	Canne de purge inox Ø 16	Drain rod, stainless steel, Ø 16	Entleerungsrohr, Edelstahl Ø 16	Caña de purga inox Ø 16	1

POMPE MURALE, modèle 40C50 avec filtre, canne d'aspiration	WALL MOUNTED PUMP, model 40C50 with filter, suction rod	# 151.775.250
WANDANLAGE , Modell 40C50 mit Filter, Saugschlauch	BOMBA MURAL, tipo 40C50 con filtro, caña de aspiración	

Ind	#	Désignation	Description	Bezeichnung	Denominación	Qté
-	151 775 150	Pompe murale avec filtre, sans canne d'aspiration	Wall mounted pump with filter, without suction rod	Wandpumpe mit Filter, ohne Saugschlauch	Bomba mural con filtro, sin caña de aspiración	1
17	149 596 150	Canne d'aspiration Ø 25 (Lg. 600 mm)	Suction rod Ø 25 (Length 600 mm)	Saugschlauch Ø 25 (Länge 600 mm)	Caña de aspiración Ø 25 (Longitud 600 mm)	1
18	149 596 152	▪ Crépine Ø 25	▪ Strainer Ø 25	▪ Siebkörbe Ø 25	▪ Piña Ø 25	1

POMPE 40C50 SUR CHARIOT	CART MOUNTED PUMP, model 40C50	# 151.775.400
PUMPE 40C50 FAHRBAR	BOMBA 40C50 SOBRE CARRETILLA	

Ind	#	Désignation	Description	Bezeichnung	Denominación	Qté
-	151 775 200	Pompe murale avec filtre et canne d'aspiration	Wall mounted pump with filter and suction rod	Wandpumpe mit Filter und Saugschlauch	Bomba mural con filtro y caña de aspiración	1
-	051 221 000	Chariot (2 bras)	Cart (2 arms)	Fahrgestell (2 Arme)	Carretilla (2 brazos)	1
-	056 100 199	Panneau de fixation	Fixing plate	Befestigungsplatte	Panel de fijación	1

POMPE MURALE, modèle 40C50 avec filtre, chariot pistolet Airless® Sflow - 275 bar avec raccord tournant	WALL MOUNTED PUMP, model 40C100 with filter, cart Airless Sflow gun - 275 bar / 3989 psi with swivel fitting	#
WANDANLAGE , Modell 40C50 mit Filter, Fahrgestell Pistole Airless Sflow - 275 bar mit Drehgelenk	BOMBA MURAL, tipo 40C100 con filtro, carretilla pistola Airless Sflow - 275 bar con racor giratorio	151.265.105

Ind	#	Désignation	Description	Bezeichnung	Denominación	Qté
-	151 775 250	Pompe murale avec filtre, canne d'aspiration	Wall mounted pump with filter, suction rod	Wandpumpe mit Filter, Saugschlauch	Bomba mural con filtro, caña de aspiración	1
-	051 221 000	Chariot (2 bras)	Cart (2 arms)	Fahrgestell (2 Arme)	Carretilla (2 brazos)	1
-	135 740 425	Pistolet Sflow 275 bar avec raccord tournant (voir Doc. 573.459.050)	Sflow gun, model 275 bar / 3989 psi with swivel fitting (refer to Doc. 573.459.050)	Pistole Sflow, 275 bar mit Drehgelenk (Siehe Dok. 573.459.050)	Pistola Sflow 275 bar con racor giratorio (consultar Doc. 573.459.050)	1
-	905 210 709	Raccord, MM 1/2 JIC	Fitting, double male, 1/2 JIC	Doppelnippel AG 1/2 JIC	Racor, MM 1/2 JIC	1
-	050 451 155	Tuyau (Ø 3,2 mm - 1/2 JIC - Lg. 1,6 m - 240 bar)	Hose (Ø 3,2 mm / 1/8" - 1/2 JIC - 1.6 m / 5.25 ft length - 240 bar / 3480 psi)	Schlauch (Ø 3,2 mm - 1/2 JIC - Länge 1,6 m - 240 bar)	Tubería (Ø 3,2 mm - 1/2 JIC -Longitud 1,6 m - 240 bar)	1
-	050 450 605	Tuyau (Ø 4,8 mm - 1/2 JIC - Lg. 7,5 m - 240 bar)	Hose (Ø 4,8 mm / 3/16" - 1/2 JIC - 7,5 m / 24.6 ft length - 240 bar / 3480 psi)	Schlauch (Ø 4,8 mm - 1/2 JIC - Länge 7,5 m - 240 bar)	Tubería (Ø 4,8 mm - 1/2 JIC -Longitud 7,5 m - 240 bar)	1
-	056 100 199	Panneau de fixation	Fixing plate	Befestigungsplatte	Panel de fijación	1
-	144 130 196	Pochette de 2 vis, 2 écrous, 2 rondelles	Pack of 2 screws, 2 nuts, 2 washers	Satz à 2 Schrauben, 2 Scheiben, 2 Muttern	Bolsa de 2 tornillos, 2 tuercas, 2 arandelas	-

OPTIONS - ON REQUEST - OPTIONEN - OPCIONES

Ind	#	Désignation	Description	Bezeichnung	Denominación	Qté
17	149 596 160	Canne d'aspiration Ø 25 pour fût 200L (Lg. 1m)	Suction rod Ø 25 for drum 200L (Length : 1m)	Saugschlauch Ø 25 für 200L Fass (Länge : 1m)	Caña de aspiración Ø 25 para bidón de 200L (Longitud : 1m)	1
18	149 596 152	▪ Crépine Ø 25	▪ Strainer Ø 25	▪ Siebkörbe Ø 25	▪ Piña Ø 25	1
-	151 740 200	Détendeur de pulvérisation (voir Doc. 573.035.050)	Atomizing air regulator (refer to Doc.573.035.050)	Zerstäuberluftset (siehe Dok. 573.035.050)	Manorreductor de pulverización (consultar Doc. 573.035.050)	1

ACCESSOIRES - ACCESSORIES - ZUBEHÖR - ACCESORIOS



Ind	#	Désignation	Description	Bezeichnung	Denominación	Qté
-	149 990 020	Flacon de lubrifiant T (125 ml)	T lubricant (125 ml / 4.4 oz)	Spülmittel T (125 ml)	Botella de lubricante T (125 ml)	1
31	044 950 008	Clé (pour cuve presse-garniture)	Wrench (for wetting cup)	Schlüssel für Spülmitteltasse	Llave (para prensaestopa)	1

* Pièces de maintenance préconisées.

* Preceding the index number denotes a suggested spare part.

* Bezeichnete Teile sind empfohlene Ersatzteile.

* Piezas de mantenimiento preventivas.

N C : Non commercialisé.

N S : Denotes parts are not serviceable.

N S : Bezeichnete Teile gibt es nicht einzeln.

N S : no suministrado.

Nota : Dans le cas d'une pompe nue pour fixation murale, commander la pompe nue, la plaque d'interface (rep.6) et le support réf. 044.910.121 (rep. 1 - Doc. 573.403.050)

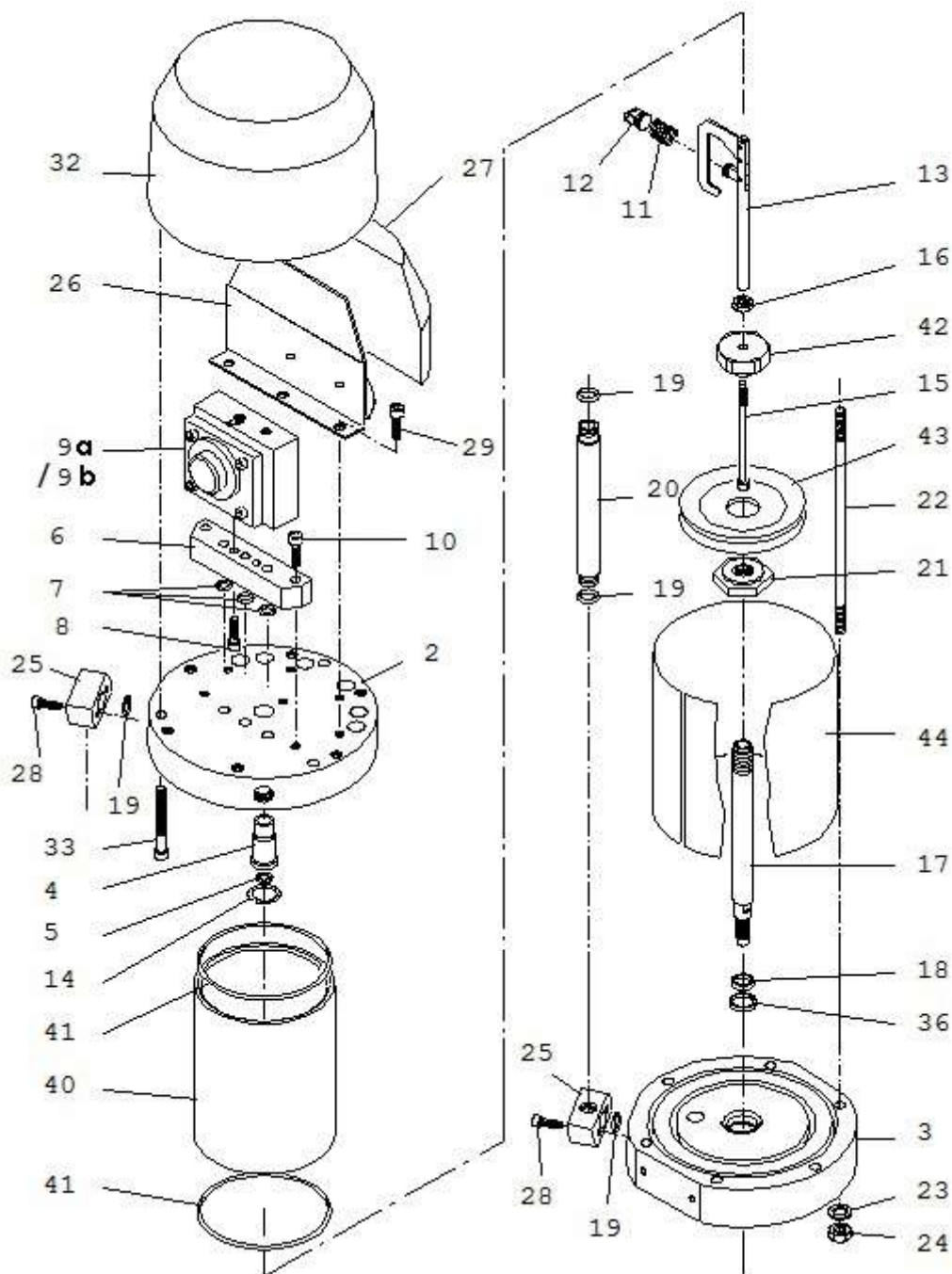
Nota : For a bare pump with wall bracket, order bare pump, plate (ind. 6) and bracket - P.N°. 044.910.121 (ind. 1 - Doc. 573.403.050)

Hinweis : Für eine nackte Pumpe mit Wandhalterung, bestellen Sie die nackte Pumpe, die Umsteuerplatte (Pos. 6) und die Halterung Bestell-Nr. 044.910.121 (Pos. 1 - Dok. 573.403.050)

Nota : En caso de una bomba sola con fijación mural, encargue Vd. la bomba sola, la placa (ind. 6) y el soporte con la referencia 044.910.121 (ind. 1 - Doc. 573.403.050).

<p>Doc. 573.045.050 Date/Datum/Fecha : 07/03/18 Annule/Cancela/ Ersetzt/Anula : 20/05/14</p>	<p>Modif. / Änderung : # 044 630 400 → NC (ind. 9a / Pos. 9a) + # 144 630 720 (ind. 9b / Pos. 9b)</p>	<p>Pièces de rechange Spare parts list Ersatzteilliste Piezas de repuesto</p>
--	--	--

MOTEUR A AIR, modèle 1000-4 & 1000-4T	AIR MOTOR, model 1000-4 & 1000-4T
LUFTMOTOR, Modell 1000-4 & 1000-4T	MOTOR DE AIRE, tipo 1000-4 & 1000-4T



MOTEUR A AIR, modèle 1000-4	AIR MOTOR, model 1000-4	# 146.275.000
LUFTMOTOR, Modell 1000-4	MOTOR DE AIRE, tipo 1000-4	

Pièces spécifiques - Specific parts - Spezifische Teile - Partes específicas

Moteur / Motor 1000-4

Ind	#	Désignation	Description	Bezeichnung	Denominación	Qté
2	046 270 901	Fond supérieur	Upper flange	Oberer Flansch	Fondo superior	1
6	046 230 005	Embase bloc inverseur	Base, reversing-block	Grundplatte, Umsteuerblock	Base bloque inversor	1
20	046 144 901	Tube d'alimentation	Tube, connecting	Versorgungsrohr	Tubo de alimentación	1
25	046 270 903	Collecteur	Collector	Verbindungsflansch	Colector	2
26	046 270 904	Support (silencieux)	Support (silencer)	Halterung (Schalldämpfer)	Soporte (silenciador)	1
27	046 270 905	Silencieux (mousse)	Silencer	Schalldämpfer (Schaumstoff)	Silenciador	1
28	933 151 443	Vis CHc M 6 x 35	Screw, CHc M 6 x 35	Schraube CHc AG 6 x35	Tornillo, CHc M 6 x 35	4
29	933 151 122	Vis CHc M 6 x 8	Screw, CHc M 6 x 8	Schraube CHc AG 6 x 8	Tornillo, CHc M 6 x 8	3

Pièces communes - Common parts - Gleiche Teile - Partes comunes

Moteur / Motor 1000-4 & 1000-4T (turbo)

Ind	#	Désignation	Description	Bezeichnung	Denominación	Qté
3	146 270 902	Fond inférieur	Lower flange	Unterer Flansch	Fondo inferior	1
4	044 570 106	Bague de guidage	Guide ring	Führungsring	Anillo guía	1
5	144 579 923	Bague R 8 bis (pochette de 10)	Ring, R 8 bis (package of 10)	O-Ring R 8 bis (10er Pack)	Anillo R 8 bis (bolsa de 10)	1
7	109 420 257	Bague O Ring (pochette de 10)	O Ring (package of 10)	O-Ring (10er Pack)	Anillo O Ring (bolsa de 10)	3
8	933 151 277	Vis CHc M 6 x 20	Screw, CHc M 6 x 20	Schraube CHc M 6 x 20	Tornillo CHc M 6 x 20	2
9a	NC / NS	Bloc inverseur (voir Doc. 573.087.040)	Reversing block (refer to Doc. 573.087.040)	Umsteuerblock (siehe Dok. 573.087.040)	Bloque inversor (consultar Doc. 573.087.040)	1
*9b	144 630 720	Bloc inverseur droit avec deux roulements (voir Doc. 573.087.040)	Right reversing-block with two bearings (refer to Doc. 573.087.040)	Rechter Umsteuerblock mit zwei Lagerbuchsen (siehe Dok. 573.087.040)	Bloque inversor derecho con dos rodamientos (consultar Doc. 573.087.040)	1
10	930 151 446	Vis CHc M 8 x 35	Screw, CHc M 8 x 35	Schraube CHc M 8 x 35	Tornillo, CHc M 8 x 35	2
11	050 311 232	Ressort	Spring	Feder	Muelle	1
12	044 570 131	Chape femelle	Linkage, female	Verbindungsflansch	Unión hembra	1
13	044 570 900	Fourchette de commande équipée	Control fork assembly	Steuergabel; komplett	Horquilla de mando equipada	1
14	902 202 002	Anneau truarc	Retaining ring	Sicherungsring	Anillo truarc	1
15	046 180 003	Tige de pilotage	Rod, driving	Steuerstange	Eje de mando	1
16	046 144 907	Ecrou	Nut	Mutter	Tuerca	1
17	046 180 007	Tige de piston	Rod, piston	Kolbenstange	Eje de pistón	1
Ind	#	Désignation	Description	Bezeichnung	Denominación	Qté
18	046 180 010	Bague de frottement	Seal, ring	Dichtring	Anillo de deslizamiento	1
19	129 400 902	Joint (pochette de 10)	Seal (package of 10)	O-Ring (10er Pack)	Junta (bolsa de 10)	4

21	000 323 716	Contre écrou inférieur	Lower locknut	Untere Kontermutter	Contratuerca inferior	1
22	044 710 007	Tirant	Tie-rod	Bolzen	Tirante	6
23	963 040 019	Rondelle MN 8	Washer, MN 8	Scheibe MN 8	Arandela MN 8	6
24	953 010 019	Ecrou HM 8	Nut, HM 8	Mutter HM 8	Tuerca HM 8	6
32	046 180 006	Capot moteur	Cover, air motor	Motorhaube	Campana del motor	1
33	933 151 497	Vis CHc M 6 x 40	Screw, CHc M 6 x 40	Schraube CHc M 6 x 40	Tornillo CHc M 6 x 40	3
36	909 420 291	Joint	Seal	O-Ring	Junta	1
*40	046 275 001	Cylindre	Cylinder	Zylinder	Cilindro	1
41	100 940 470	Joint de cylindre (x 10)	Seal, cylinder (x 10)	O-Ring, Zylinders (10 St.)	Junta de cilindro (x 10)	2
42	046 144 908	Ecrou de piston	Nut, piston	Kolbenmutter	Tuerca de pistón	1
43	000 323 717	Piston	Piston	Kolben	Pistón	1
44	046 275 002	Virole	Muffler	Muffe	Virola	1
-	901 180 024	Cable de mise à la terre (Lg. 5 m)	Ground (Length 5 m / 16 ft)	Erdungskabel (Länge 5m)	Cable de puesta a tierra (5 m de largo)	1
-	963 300 016	Rondelle	Washer	Scheibe	Arandela	1
-	934 011 196	Vis Hc 6 x 16	Screw Hc 6 x 16	Schraube Hc 6 x 16	Tornillo Hc 6 x 16	1

Ind	#	Désignation	Description	Bezeichnung	Denominación	Qté
*	146 270 991	Pochette de joints moteur (ind. 5, 7(x3), 11, 18, 19(x5), 36, 41(x2) + pochette de joints inverseur)	Package of seals of the air motor (ind. 5, 7(x3), 11, 18, 19(x5), 36, 41(x2) + package of seals of the reversing block)	Dichtungssatz für Motor (Pos. 5, 7(x3), 11, 18, 19(x5), 36, 41(x2) + Dichtungssatz für Umsteuerblock)	Bolsa de juntas motor (ind. 5, 7(x3), 11, 18, 19(x5), 36, 41(x2) + bolsa de juntas del inversor)	1
*	146 270 995	Pochette de maintenance (ind. 4, 43 + pochette de joints moteur + ind. 2, 4, 7, 8, 13 de l'inverseur)	Servicing kit (ind. 4, 43, + package of seals of the air motor + ind. 2, 4, 7, 8, 13 of the reversing block)	Servicekit (Pos. 4, 43 + Dichtungssatz für Motor + 2, 4, 7, 8, 13 für Umsteuerblock)	Bolsa de mantenimiento (ind. 4, 43 + bolsa de juntas motor + ind. 2, 4, 7, 8, 13 del inversor)	1

* Pièces de maintenance préconisées.

* Preceding the index number denotes a suggested spare part.

* Bezeichnete Teile sind empfohlene Ersatzteile.

* Piezas de mantenimiento preventivas.

N C : Non commercialisé.

N S : Denotes parts are not serviceable.

N S : bezeichnete Teile gibt es nicht einzeln, sondern nur komplett.

N S : no suministrado.

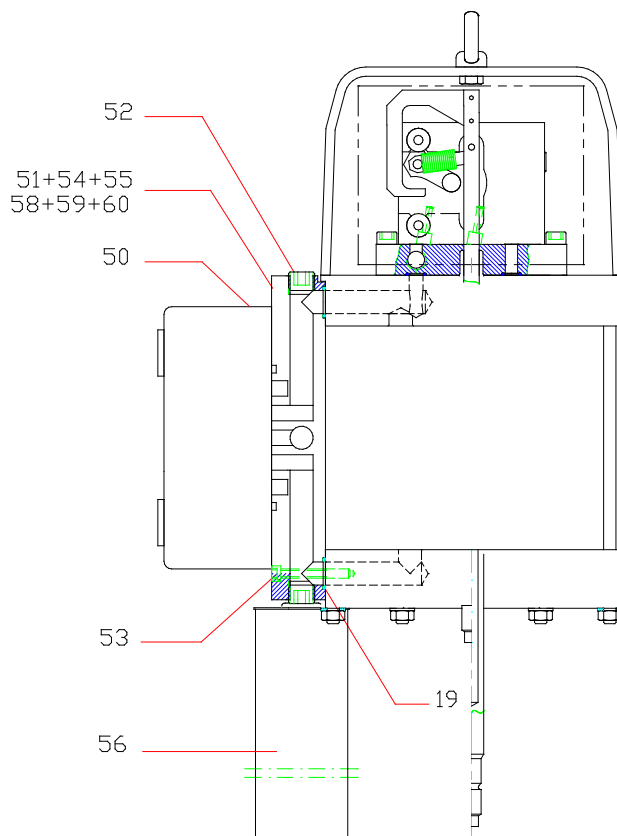
Nota : Les pompes dont le numéro de série est > à 17 AJ 1291 sont équipées du bloc inverseur # 144.630.720. Ne monter l'ind. 2 (bague de guidage du bloc inverseur) que si votre bloc comporte un R.

Nota : The pumps with serial number is > to 17 AJ 1291 are fitted with the reversing-block # 144.630.720. Install ind. 2 (guide ring of the reversing-block) only if your reversing-block has R.

Hinweis: Die Pumpen mit der Fertigungsnummer > bis 17 AJ 1291 sind mit dem Umsteuerblock # 144.630.720 bestückt. Die Pos. 2 (Führungsbuchse des Umsteuerblocks) nur am Umsteuerblock mit R Markierung montieren.

Nota : Las bombas cuyo número de serie es > a 17 AJ 1291 tienen el bloque inversor # 144.630.720. Montar el ind. 2 (anillo guía del bloque inversor) sólo si su bloque tiene un R.

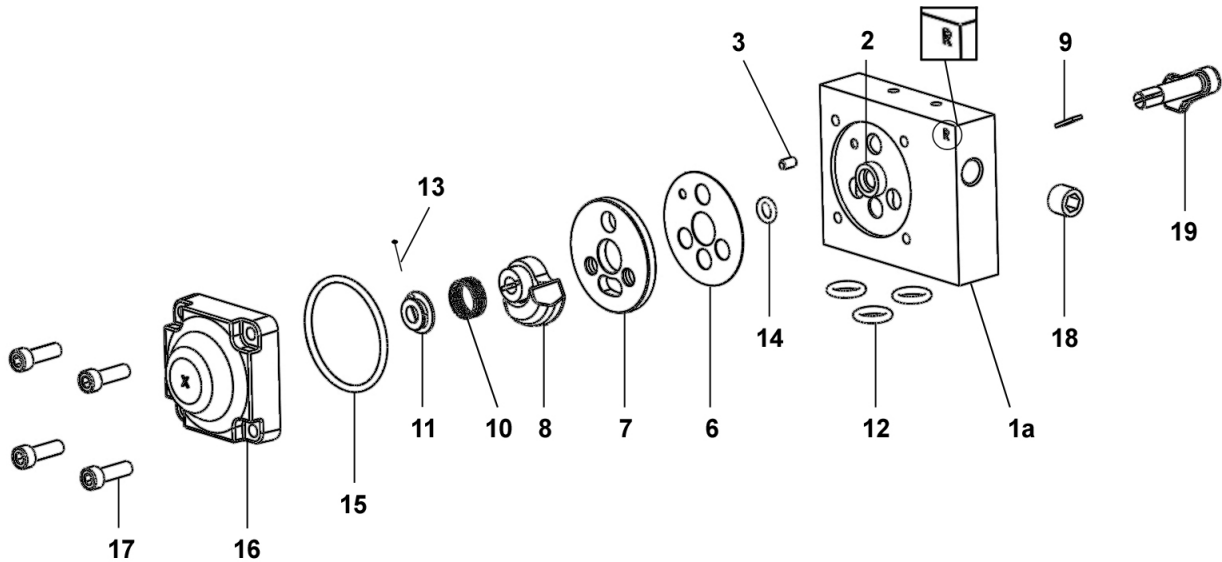
MOTEUR A AIR, modèle 1000-4T (turbo)	AIR MOTOR, model 1000-4T (turbo)	# 146.276.000
LUFTMOTOR, Modell 1000-4T (turbo)	MOTOR DE AIRE, tipo 1000-4T turbo	



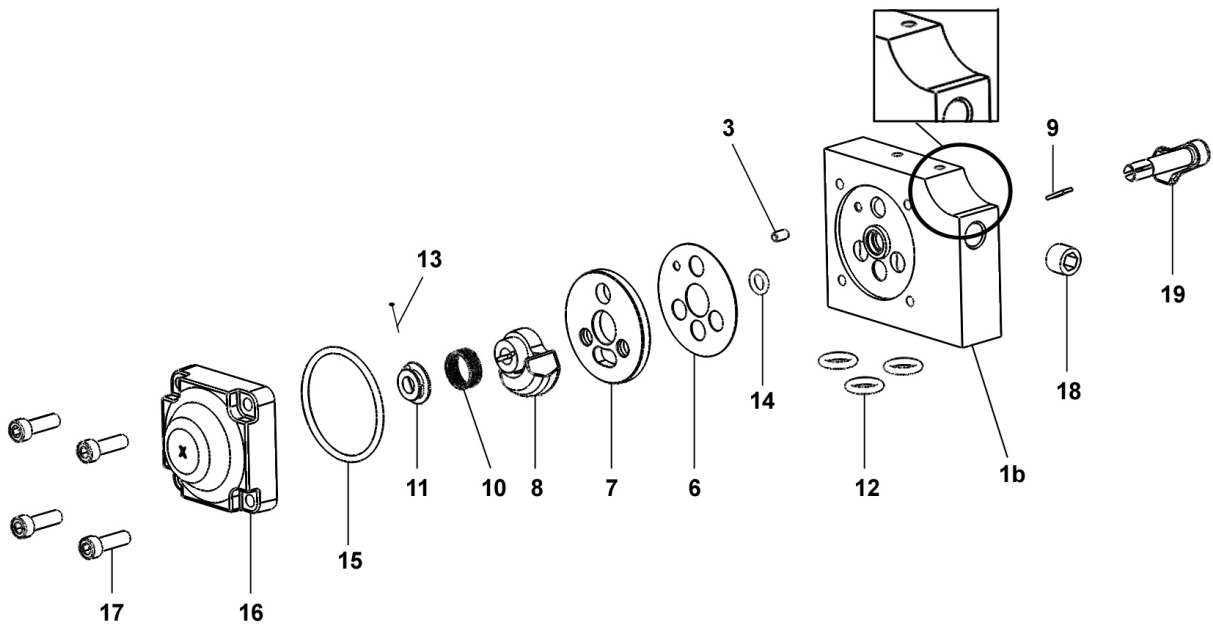
Ind	#	Désignation	Description	Bezeichnung	Denominación	Qté
		Pièces spécifiques au moteur 1000-4T	Specific parts to the air motor, model 1000-4T	Spezielle Teile für Luftmotor 1000-4T	Partes específicas al motor, tipo 1000-4T	
2	046 271 001	Fond supérieur	Upper flange	Oberer Flansch	Fondo superior	1
6	046 271 002	Embase bloc inverseur	Base, reversing block	Grundplatte, Umsteuerblock	Base, bloque inversor	1
50	903 050 511	Distributeur 5/2 - T3	Distributor, 5/2 - T3	Verteiler 5/2 - T3	Distribuidor, 5/2 - T3	1
51	046 271 004	Embase distributeur	Base, distributor	Grundplatte, Verteiler	Base distribuidor	1
52	906 333 105	Bouchon 3/4 BSP (pour embase)	Plug, 3/4 BSP (for base)	Stopfen 3/4 BSP (für Grundplatte)	Tapón 3/4 BSP (para base)	4
53	930 151 548	Vis CHc M 6 x 50	Screw, CHc M 6 x 50	Schraube CHc M 6 x 50	Tornillo CHc M 6 x 50	4
54	905 120 905	Raccord coudé M 1/4 BSP - T 4x6	Elbow fitting, M 1/4 BSP - T 4x6	Winkelnippel AG 1/4 BSP - T 4 x 6	Racor acodado M 1/4 BSP - T 4x6	5
55	050 371 001	Tuyau 4x6 (lg. 25 m)	Hose, 4x6 (length : 25 m / 984")	Schlauch 4x6 (Länge 25 m)	Tubería 4x6 (25 m de largo)	1
56	046 250 015	Silencieux	Silencer	Schalldämpfer	Silenciador	1
58	050 102 215	Raccord MM 3/4 BSP	Fitting, double male, 3/4 BSP	Nippel AG 3/4 BSP	Racor, MM 3/4 BSP	1
59	904 123 006	Coude 3/4	Elbow, 3/4	Winkel 3/4	Codo 3/4	1
60	050 102 634	Raccord M 3/4 BSP - 3/4 NPS (alimentation en air)	Fitting, M 3/4 BSP - 3/4 NPS (air supply)	Nippel AG 3/4 BSP - 3/4 NPS (Luftversorgung)	Racor M 3/4 BSP - 3/4 NPS (alimentación en aire)	1

Doc. 573.087.040 Date/Datum/Fecha : 11/05/17 Annule/Cancel/ Ersetzt/Anula : 03/06/14	Modif. / Änderung : Mise à jour / Update / Aktualisierung / Actualización + 144.630.720	Pièces de rechange Spare parts list Ersatzteilliste Piezas de repuesto
--	---	---

BLOC INVERSEUR	REVERSING-BLOCK	#
UMSTUERBLOCK	BLOQUE INVERSOR	NC / NS



BLOC INVERSEUR DROIT AVEC DEUX ROULEMENTS	RIGHT REVERSING-BLOCK WITH TWO BEARINGS	#
RECHTER UMSTUERBLOCK MIT ZWEI LAGERBUCHSEN	BLOQUE INVERSOR DERECHO CON DOS RODAMIENTOS	144.630.720



BLOC INVERSEUR	REVERSING-BLOCK	#
UMSTUEURBLOCK	BLOQUE INVERSOR	NC / NS

BLOC INVERSEUR DROIT AVEC DEUX ROULEMENTS	RIGHT REVERSING-BLOCK WITH TWO BEARINGS	#
RECHTER UMSTUEURBLOCK MIT ZWEI LAGERBUCHSEN	BLOQUE INVERSOR DERECHO CON DOS RODAMIENTOS	144.630.720

Pièces communes - Common parts - Gleiche Teile - Partes comunes

Ind	#	Désignation	Description	Bezeichnung	Denominación	Qté
*6	144 579 912	Joint de glace fixe (x 10)	Gasket seal (x 10)	Flachdichtung (10 x)	Junta de espejo fijo (x 10)	1
*7	046 170 508	Glace fixe	Base, fixed	Ventilplatte	Espejo fijo	1
*8	044 570 324	Glace mobile	Base, mobile	Ventilschieber	Espejo móvil	1
9	044 570 325	Clavette	Pin	Paßfeder (Keil)	Pasador	1
10	921 140 102	Ressort	Spring	Feder	Muelle	1
11	044 571 006	Butée de ressort	Stop, spring	Federführung	Tope de muelle	1
*12	144 579 922	Bague R 10 (x 10)	Ring, model R 10 (x 10)	O Ring R 10 (x 10)	Anillo, tipo R 10 (x 10)	3
*13	144 579 911	Goupille fendue (pochette de 10 goupilles + 1 butée ind. 11)	Pin (package of 10 pins + 1 stop ind. 11)	Splint (Satz à 10 Stück + 1 Führung Pos. 11)	Pasador (bolsa de 10 pasadores + 1 tope ind. 11)	1
*14	144 579 910	Bague R 6a (x 10)	Ring, model R 6a (x 10)	O Ring, R 6a (10 x)	Anillo, tipo R 6a (x 10)	1
*15	N C / N S	Joint de couvercle	Seal, cover	Deckeldichtung	Junta de tapa	1
16	144 630 415	Couvercle	Cover	Deckel	Tapa	1
17	933 151 277	Vis CHc M 6x20	Screw, model CHc M 6x20	Schraube, CHc M 6x20	Tornillo, tipo CHc M 6x20	4
18	906 333 102	Bouchon 1/4 BSP	Plug, model 1/4 BSP	Blindstopfen, 1/4 BSP	Tapón, tipo 1/4 BSP	1
19	046 170 510	Levier	Lever, control	Umsteuerhebel	Leva	1

Ind	#	Désignation	Description	Bezeichnung	Denominación	Qté
*	146 270 950	Pochette de joints (ind. 6, 12(x3), 14, 15)	Package of seals (ind. 6, 12(x3), 14, 15)	Dichtungssatz (bestehend aus Pos. 6, 12(x3), 14, 15)	Bolsa de juntas (ind. 6, 12(x3), 14, 15)	1
*	144 630 425	Pochette de maintenance glaces (ind. 7, 8)	Servicing kit - bases (ind. 7, 8)	Servicekit - Ventil (Pos. 7, 8)	Bolsa de mantenimiento - espejos (ind. 7, 8)	1

Pièces spécifiques - Specific parts - Spezifische Teile - Partes específicas

Pour / for / für / para # NC / NS

Ind	#	Désignation	Description	Bezeichnung	Denominación	Qté
*	144 630 410	Corps équipé	Block assembly, reversing	Umsteuerblock komplett	Cuerpo equipado	1
1a	NC / NS	▪ Corps	▪ Body	▪ Körper	▪ Cuerpo	1
2	NC / NS	▪ Bague de guidage	▪ Guide ring	▪ Führungsbuchse	▪ Anillo guía	1
3	NC / NS	▪ Goupille Ø 4 x 8	▪ Pin Ø 4 x 8	▪ Splint Ø4 x 8	▪ Pasador Ø 4 x 8	1
-	NC / NS	▪ Butée (collée sur corps ind.1a)	▪ Stop (glued on part ind. 1a)	▪ Anschlag (auf Körper geklebt ind.1a)	▪ Tope (pegado en cuerpo ind. 1a)	2
-	NC / NS	▪ Roulement à bille	▪ Ball bearing	▪ Kugellager	▪ Rodamiento de bolas	1

Pour / for / für / para # 144.630.720

Ind	#	Désignation	Description	Bezeichnung	Denominación	Qté
*	144 630 715	Corps équipé	Block assembly, reversing	Umsteuerblock komplett	Cuerpo equipado	1
1b	NC / NS	▪ Corps	▪ Body	▪ Körper	▪ Cuerpo	1
3	NC / NS	▪ Goupille Ø 4 x 8	▪ Pin Ø 4 x 8	▪ Splint Ø4 x 8	▪ Pasador Ø 4 x 8	1
-	NC / NS	▪ Butée (collée sur corps ind.1b)	▪ Stop (glued on part ind. 1b)	▪ Anschlag (auf Körper geklebt ind.1b)	▪ Tope (pegado en cuerpo ind. 1b)	2
-	NC / NS	▪ Roulement à bille	▪ Ball bearing	▪ Kugellager	▪ Rodamiento de bolas	2

* Pièces de maintenance préconisées.

* Preceding the index number denotes a suggested spare part.

* Bezeichnete Teile sind empfohlene Ersatzteile.

* Piezas de mantenimiento preventivas.

NC : Non commercialisé.

NS : Denotes parts are not serviceable.

NS : Bezeichnete Teile gibt es nicht einzeln, sondern nur komplett .

NS : no suministrado.

Nota : Ne monter l'ind. 2 (bague de guidage du bloc inverseur) que si votre bloc inverseur comporte un R.

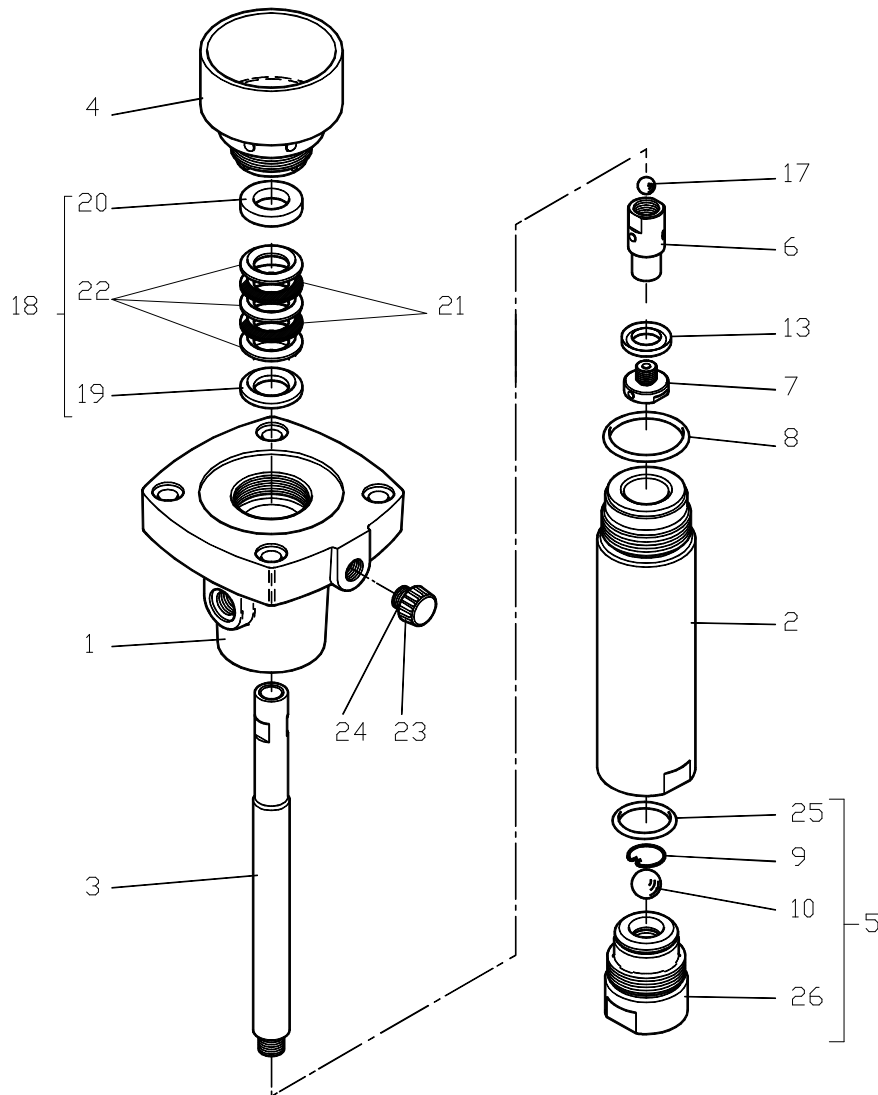
Nota : Install ind. 2 (guide ring of the reversing-block) only if your reversing-block has R.

Hinweis: Die Pos. 2 (Führungsbuchse des Umsteuerblocks) nur am Umsteuerblock mit R Markierung montieren.

Nota : Montar el ind. 2 (anillo guía del bloque inversor) sólo si su bloque inversor tiene un R.

Doc. 573.032.050 Date/Datum/Fecha : 15/10/18 Annule/Cancel/ Ersetzt/Anula : 02/01/14	Modif. / Änderung : Mise à jour / Update / Aktualisierung / Actualización	Pièces de rechange Spare parts list Ersatzteilliste Piezas de repuesto
--	--	---

HYDRAULIQUE, modèle C50 (garniture mobile avec joint GT)	FLUID SECTION, model C50 (mobile GT packing with GT seal)
HYDRAULIKTEIL, Modell C50 (mobile Packung mit GT-Dichtung)	HIDRÁULICA, tipo C50 (guarnición móvil con junta GT)



Hydraulique avec joint GT (à partir de la pompe N° série : 77 379)
Fluid section with GT seal (from pump serie N°: 77 379)
Hydraulikteil mit GT-Dichtung (ab Pumpe N° 77 379)
Hidráulica con junta GT (a partir de la bomba con el N° de serie : 77 379)

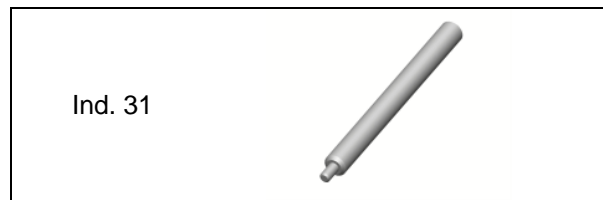
HYDRAULIQUE C50 INOX	FLUID SECTION, MODEL C50 STAINLESS STEEL	#
HYDRAULIKTEIL C50 EDELSTAHL	HIDRÁULICA C50 INOX	144.950.000

Ind	#	Désignation	Description	Bezeichnung	Denominación	Qté
1	044 950 001	Bride supérieure	Upper flange	Oberer Flansch	Brida superior	1
*2	044 950 002	Cylindre	Cylinder	Materialzylinder	Cilindro	1
*3	044 950 003	Piston	Piston	Materialkolben	Pistón	1
4	044 950 004	Cuve presse-garniture	Wetting-cup	Spülmitteltasse	Cubeta prensa-guarnición	1
5	044 950 010	Clapet d'aspiration assemblé	Suction valve assembly	Ansaugventil, komplett	Válvula aspiración completa	1
9	044 550 029	▪ Jonc	▪ Rush	▪ Sicherungsring	▪ Anillo de retención bola	1
10	907 414 242	▪ Bille Ø 16, inox 440C	▪ Ball Ø 16 (5/8"), stainless steel 440C	▪ Kugel, Ø 16, Edelstahl 440C	▪ Bola Ø 16, inox 440C	1
25	050 040 318	▪ Joint torique	▪ O-Ring	▪ O-Ring	▪ Junta O Ring	1
26	NC / NS	▪ Corps de clapet	▪ Valve body	▪ Saugventil	▪ Cuerpo de válvula	1
6	044 950 215	Clapet de refoulement	Exhaust valve	Druckventil	Válvula de expulsión	1
7	044 950 007	Presse-garniture mobile	Wetting-cup, mobile	Spülmitteltasse, mobil	Prensa-guarnición móvil	1
8	050 040 317	Joint torique	O Ring	O-Ring	Junta O Ring	1
13	909 150 214	Joint GT inférieur (garniture mobile)	Seal GT lower (mobile packing)	Unterer GT-Dichtung (mobile Packung)	Junta GT inferior (guarnición móvil)	1
17	907 414 223	Bille Ø 9,52, inox 440C	Ball Ø 9,52 (3/8"), stainless steel 440C	Kugel, Ø 9,52, Edelstahl 440C	Bola Ø 9,52, inox 440C	1
18	-	Garniture supérieure	Upper packing	Obere Packung	Guarnición superior	1
19	044 790 011	▪ Bague male, polyacetal	▪ Male ring, polyacetale	▪ Unterer Stützring aus Polyacetal	▪ Anillo macho, poliacetale	1
20	044 791 012	▪ Bague femelle, inox	▪ Female ring, inox	▪ Oberer Stützring aus Edelstahl	▪ Anillo hembra, inox	1
21	909 050 915	▪ Joint chevron, polyfluid	▪ Chevron seal, polyfluid	▪ Packungsring aus Polyfluid	▪ Junta chevrón, polifluida	2
22	044 790 013	▪ Joint chevron, PTFEG	▪ Chevron seal, PTFEG	▪ Packungsring aus PTFEG	▪ Junta chevrón, PTFEG	3
23	144 950 012	Bouchon de vidange	Drain plug	Ablafschraube	Tapón de vaciado	1
24	109 020 401	▪ Joint plat (x 5)	▪ Flat seal (x 5)	▪ Flachdichtung (5 Stück)	▪ Junta plana (bolsa de 5)	1

OPTIONS - ON REQUEST - OPTIONEN - OPCIONES

Ind	#	Désignation	Description	Bezeichnung	Denominación	Qté
10	907 414 142	Bille Ø 16 inox 316	Ball Ø 16, 316 (stainless steel)	Kugel (Edelstahl), Ø 16, 316	Bola Ø 16, inox, 316	1
17	907 414 623	Bille Ø 9,52 inox 316	Ball Ø 9,52, 316 (stainless steel)	Kugel (Edelstahl), Ø 9,52, 316	Bola Ø 9,52, inox, 316	1
18	144 950 100	Cartouche supérieure avec joint GT	Upper packing with GT seal	Obere Packung, GT-Dichtung	Cartucho superior con junta GT	1
22	909 051 103	Joint chevron, PE	Chevron seal, PE	Packungsring, PE	Junta chevrón, PE	3

ACCESSOIRES - ACCESSORIES - ZUBEHÖR - ACCESORIOS



Ind	#	Désignation	Description	Bezeichnung	Denominación	Qté
-	149 990 020	Flacon de lubrifiant T (125 ml)	T lubricant (125 ml / 4.4 oz)	Spülmittel T (125 ml)	Botella de lubricante T (125 ml)	1
31	044 950 008	Clé (pour cuve presse-garniture)	Wrench (for wetting cup)	Schlüssel für Spülmittel-tasse	Llave (para prensaestopa)	1

Ind	#	Désignation	Description	Bezeichnung	Denominación	Qté
*	144 950 091	Pochette de joints (ind. 8, 9, 10, 13, 17, 19, 21(x2), 22(x3), 24, 25)	Package of seals (ind. 8, 9, 10, 13, 17, 19, 21(x2), 22(x3), 24, 25)	Dichtungssatz für Hydraulikteil (beinhaltet Pos. 8, 9, 10, 13, 17, 19, 21(x2), 22(x3), 24, 25)	Bolsa de juntas (índ. 8, 9, 10, 13, 17, 19, 21(x2), 22(x3), 24, 25)	1
*	144 950 096	Pochette de maintenance (ind. 5, 6 + pochette de joints)	Servicing kit (ind. 5, 6 + package of seals)	Servicekit für Hydraulikteil (beinhaltet Pos. 5, 6 und den Dichtungssatz)	Bolsa de mantenimiento (índ. 5, 6 + bolsa de juntas)	1

* Pièces de maintenance préconisées.

* Preceding the index number denotes a suggested spare part.

* Bezeichnete Teile sind empfohlene Ersatzteile.

* Piezas de mantenimiento preventivas.

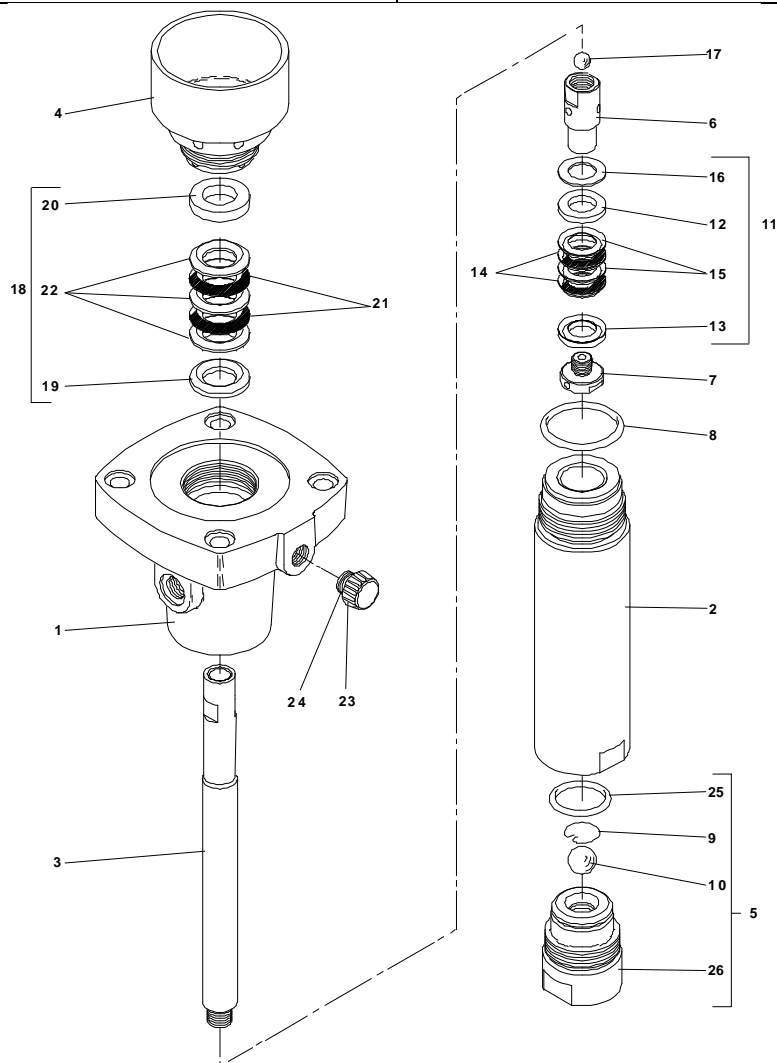
N C : Non commercialisé.

N S : Denotes parts are not serviceable.

N S : Bezeichnete Teile gibt es nicht einzeln, sondern nur komplett .

N S : no suministrado.

OPTION : Pièces spécifiques pour garniture mobile avec joints chevrons	OPTION : Specific parts for mobil packing with chevron seals
OPTION : Spezielle Teile für mobile Packung mit Packungsringen	OPCIÓN : Partes específicas para guarnición móvil con juntas de chevrón



Ind	#	Désignation	Description	Bezeichnung	Denominación	Qté
6	044 950 011	Clapet de refoulement	Exhaust valve	Druckventil	Válvula de expulsión	1
12	044 790 006	Rondelle male, polyacétal	Male washer, polyacetale	Scheibe, AG, aus Polyacetal	Arandela macho, poliacetale	1
13	044 790 007	Rondelle femelle, polyacetal	Female washer, polyacetale	Scheibe, IG, aus Polyacetal	Arandela hembra, polyacetale	1
14	044 790 008	Joint chevron, PTFEG	Chevron seal, PTFEG	Packungsring, PTFEG	Junta chevrón, PTFEG	2
15	909 051 104	Joint chevron, PE	Chevron seal, PE	Packungsring, PE	Junta chevrón, PE	2
16	044 790 015	Rondelle de calage, inox (facultative)	Set ring, stainless steel (optional)	Stützscheibe, Edelstahl (fakultativ)	Arandela, inox (facultativa)	1
*	144 950 090	Pochette de joints (ind. 8, 9, 10, 12, 13, 14, 15, 16, 17, 19, 21, 22, 24, 25)	Package of seals (ind. 8, 9, 10, 12, 13, 14, 15, 16, 17, 19, 21, 22, 24, 25)	Dichtungssatz für Hydraulikteil (beinhaltet Pos. 8, 9, 10, 12, 13, 14, 15, 16, 17, 19, 21, 22, 24, 25)	Bolsa de juntas (ind. 8, 9, 10, 12, 13, 14, 15, 16, 17, 19, 21, 22, 24, 25)	1
*	144 950 095	Pochette de maintenance (ind. 5, 6 + pochette de joints)	Servicing kit (ind. 5, 6 + package of seals)	Servicekit für Hydraulikteil (beinhaltet Pos. 5, 6 und den Dichtungssatz)	Bolsa de mantenimiento (ind. 5, 6 + bolsa de juntas)	1

Doc. 573.403.050 Date/Datum/Fecha : 08/03/22 Annule/Cancel/ Ersetzt/Anula : 26/03/21	Modif. / Änderung : Rep. / Ind. : 7 NC / NS → 016 470 000	Pièces de rechange Spare parts list Ersatzteilliste Piezas de repuesto
--	--	---

EQUIPEMENT D'AIR / AIR SUPPLY / LUFTAUSRÜSTUNG / EQUIPO DE AIRE
Avec 1 détendeur / with 1 air regulator / mit 1 Druckminderer / con 1 manorreductor,
Mod. 1/2"

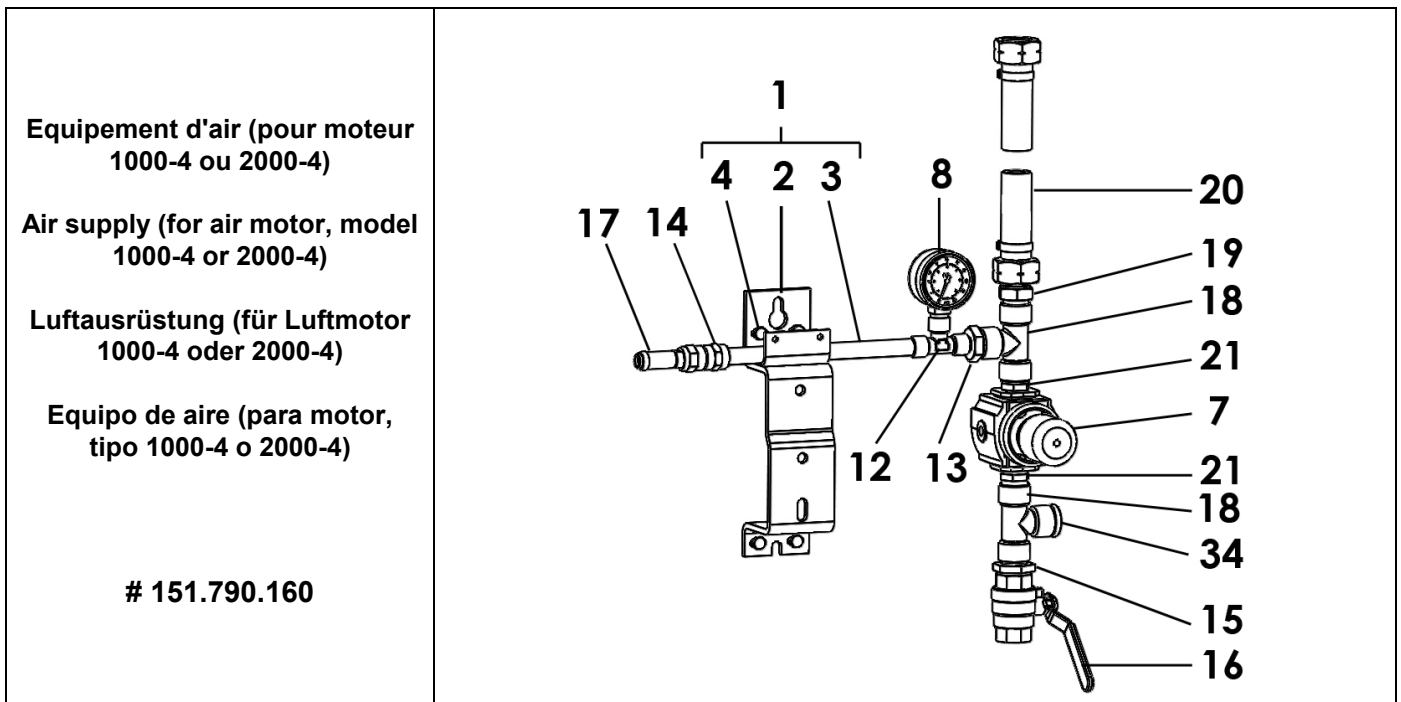
<p style="text-align: center;">Alimentation air</p> <p style="text-align: center;">Air supply</p> <p style="text-align: center;">Luftausrüstung</p> <p style="text-align: center;">Alimentación de aire</p> <p style="text-align: center;"># NC / NS</p>	
--	--

Pièces communes - Common parts - Gleiche Teile - Partes comunes

Ind	#	Désignation	Description	Bezeichnung	Denominación	Qté
1	044 910 121	Support pompe équipé	Pump bracket assembly	Komplette Pumpenhalterung	Soporte de bomba equipado	1
2	044 910 122	▪ Support pompe	▪ Pump bracket	▪ Pumpenhalterung	▪ Soporte de bomba	1
3	051 751 011	▪ Support équipement d'air	▪ Air supply bracket	▪ Luftausrüstungs-halterung	▪ Soporte equipo de aire	1
4	144 910 129	▪ Pochette de 4 vis, 4 écrous, 4 rondelles	▪ Pack of 4 screws, 4 nuts, 4 washers	▪ Satz à 4 Schrauben, 4 Muttern, 4 Scheiben	▪ Bolsa de 4 tornillos, 4 tuercas, 4 arandelas	1
*7	016 470 000	Détendeur d'air 1/2 - 0 - 10 bar (volant phosphore)	Air regulator, model 1/2 - 0 - 10 bar / 0 - 145 psi (phosphorous knob)	Druckminderer, 1/2 - 0 - 10 bar (phosphor Stellglocke)	Manorreductor de aire, tipo 1/2 - 0 - 10 bar (pomo fósforo)	1
*8	910 011 402	Manomètre 0 - 10 bar	Gauge, 0 - 10 bar / 0 - 145 psi	Manometer, 0 - 10 bar	Manómetro, 0 - 10 bar	1
12	552 436	Té F 1/4"	Tee, F 1/4"	T-Stück , F 1/4"	Te, H 1/4"	1
13	552 475	Raccord M 1/4" - M 1/2"	Fitting, double male, 1/4" - 1/2"	Doppelnippel, AG 1/4" - AG 1/2"	Racor, M 1/4" - M 1/2"	1
14	552 486	Manchon 1/4"	Sleeve, 1/4"	Muffe 1/4"	Manguito 1/4"	1

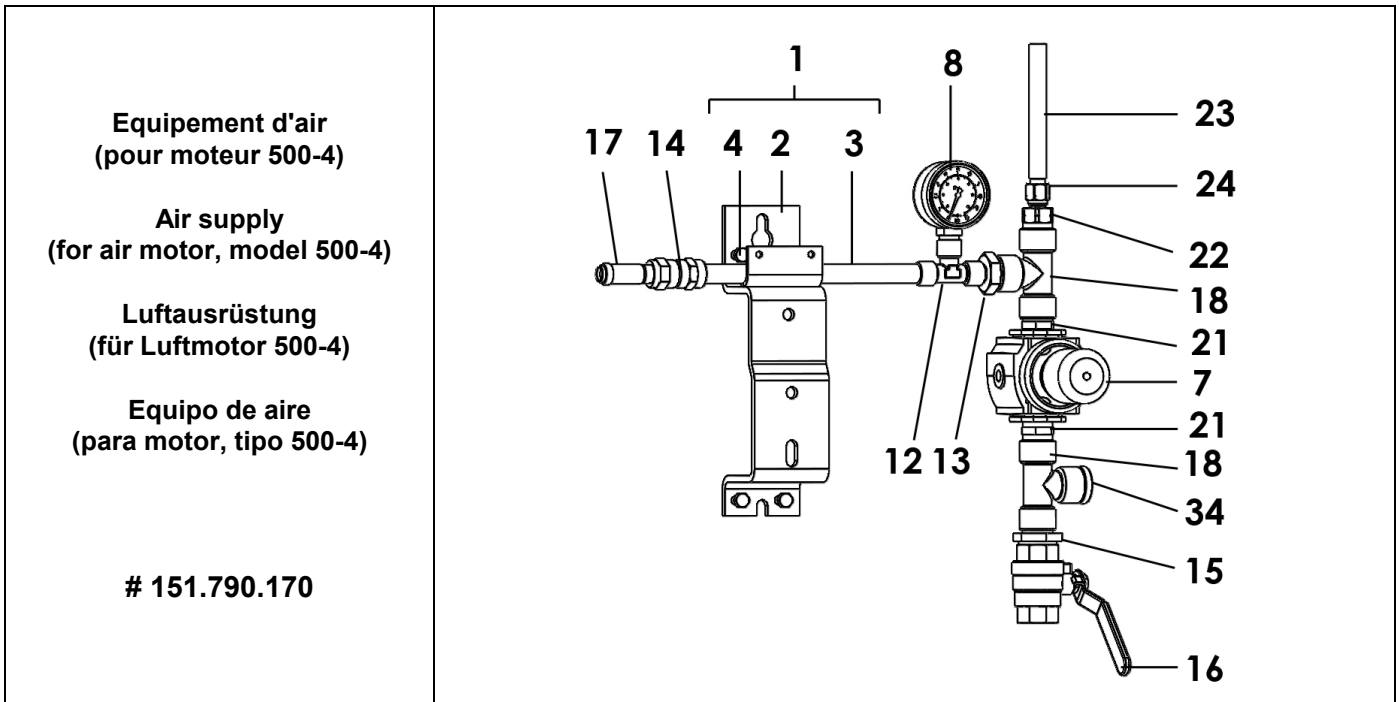
Ind	#	Désignation	Description	Bezeichnung	Denominación	Qté
15	552 474	Raccord M 1/2" - M 3/4"	Fitting, double male, 1/2" - 3/4 "	Doppelnippel, AG 1/2 " - AG 3/4 "	Racor, M 1/2 " - M 3/4 "	1
16	903 090 208	Robinet F 3/4 BSP	Valve, F 3/4 BSP	Absperrhahn, F 3/4 BSP	Grifo, H 3/4 BSP	1
17	903 080 401	Soupape de décharge - tarage 6,5 bar	Discharge valve - setting 6.5 bar / 94 psi	Sicherheitsventil - eingestellt 6,5 bar	Válvula de seguridad - tarado 6,5 bar	1
18	552 438	Té F 1/2"	Tee, F 1/2"	T-Stück, F 1/2"	Te, H 1/2"	2
21	552 464	Mamelon MM 1/2"	Nipple, double male, 1/2"	Rohrnippel 1/2"	Pivote de centrado, MM 1/2"	2

➤ **Moteur / Motor, Mod. 1000-4 & 2000-4**



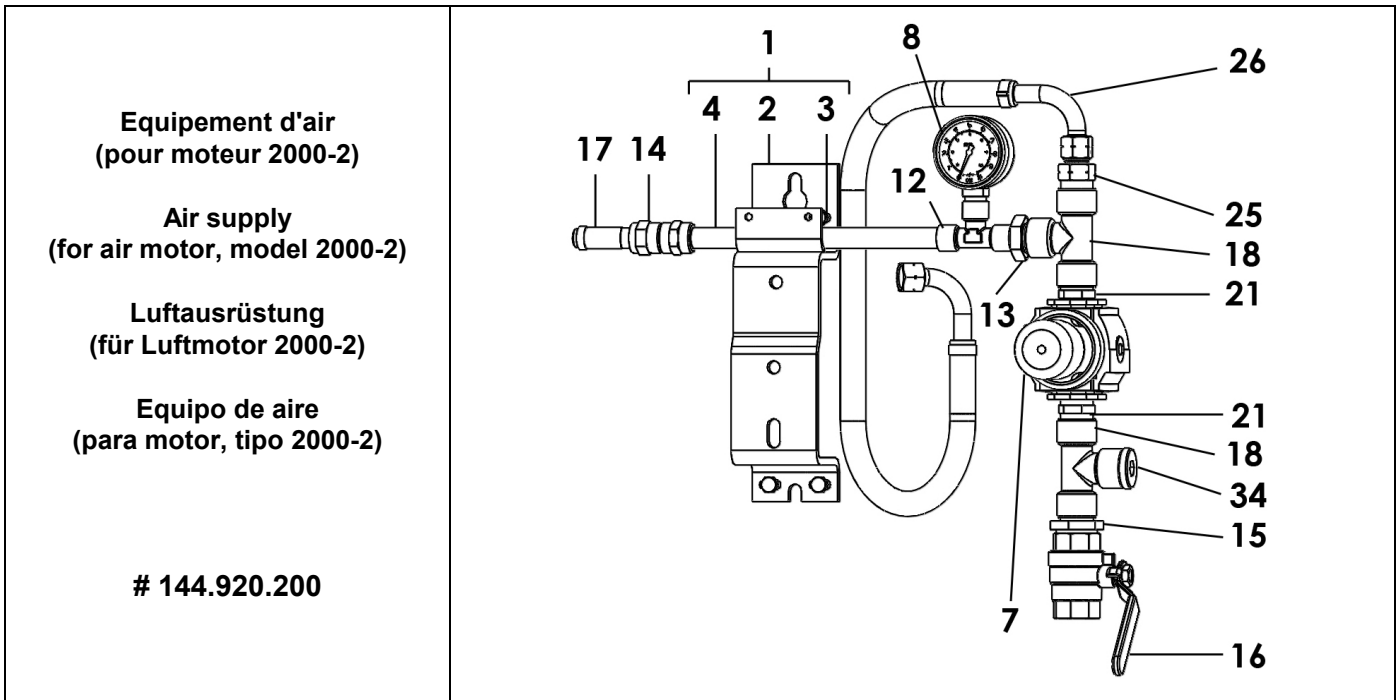
Pièces spécifiques - Specific parts - Spezifische Teile - Partes específicas

Ind	#	Désignation	Description	Bezeichnung	Denominación	Qté
19	050 102 401	Raccord M 1/2 BSP - M 3/4 NPS	Adaptor M 1/2 BSP - M 3/4 NPS	Nippel M 1/2 BSP - M 3/4 NPS	Racor, M 1/2 BSP - M 3/4 NPS	1
20	050 383 109	Tuyau Ø int. 16 (avec écrous 3/4 NPS)	Hose Ø 16 ID / 3/8 dia. (with nuts, 3/4 NPS)	Schlauch Ø 16 ID (mit Muttern 3/4 NPS)	Tubería Ø int. 16 (con tuercas 3/4 NPS)	1
34	905 210 305	Bouchon G 1/2"	Plug, G 1/2"	Blindstopfen, G 1/2	Tapón, G 1/2"	1



Pièces spécifiques - Specific parts - Spezifische Teile - Partes específicas

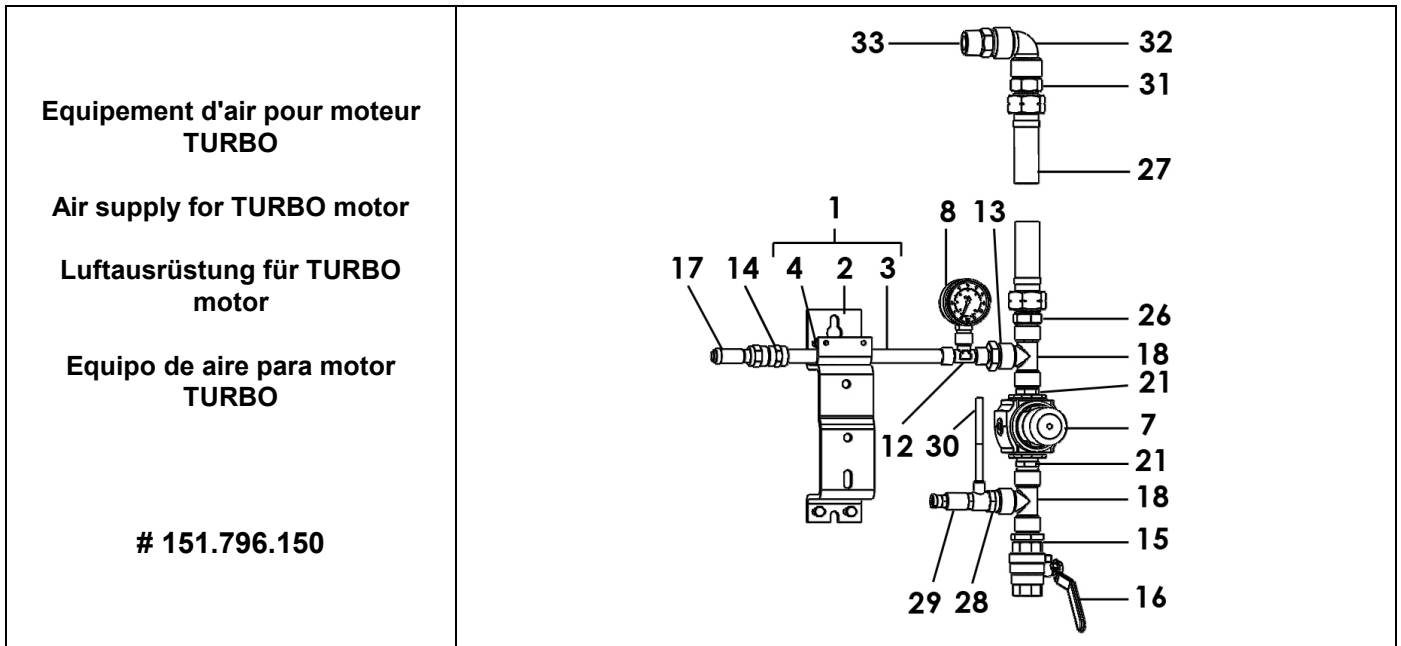
Ind	#	Désignation	Description	Bezeichnung	Denominación	Qté
22	050 102 633	Raccord M 1/2 BSP - M 1/4 NPS	Adaptor M 1/2 BSP - M 1/4 NPS	Nippel M 1/2 BSP - M 1/4 NPS	Racor M 1/2 BSP - M 1/4 NPS	1
23	050 372 226	Tuyau polyuréthane noir T 8x12	Hose (black), polyurethane T 8x12	Schwarzer Schlauch aus Polyurethan T 8x12	Tubería poliuretano (negra) T 8x12	1
24	050 231 702	Raccord droit avec écrou 1/4 NPS	Straight fitting with nut 1/4 NPS	Gerader Nippel mit Mutter 1/4 NPS	Racor recto con tuerca 1/4 NPS	1
34	905 210 305	Bouchon G 1/2"	Plug, G 1/2"	Blindstopfen, G 1/2	Tapón, G 1/2"	1



Pièces spécifiques - Specific parts - Spezifische Teile - Partes específicas

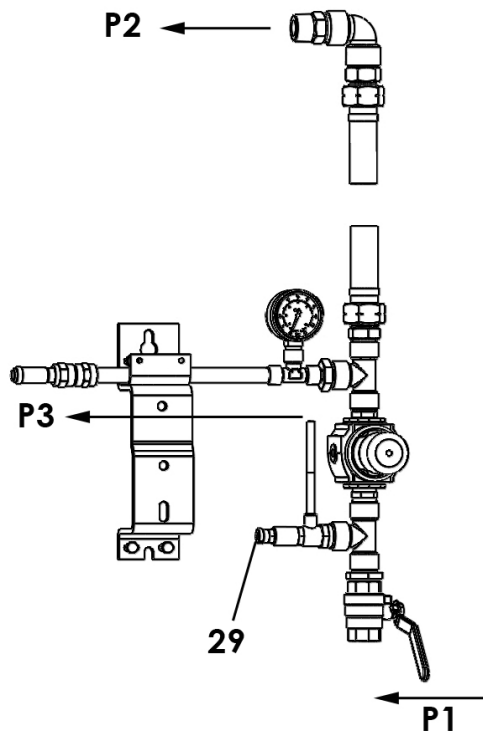
Ind	#	Désignation	Description	Bezeichnung	Denominación	Qté
25	050 102 629	Raccord M 1/2 BSP - M 3/8 NPS	Adaptor M 1/2 BSP - M 3/8 NPS	Nippel M 1/2 BSP - M 3/8 NPS	Racor M 1/2 BSP - M 3/8 NPS	1
26	050 381 507	Tuyau Ø int. 10 (avec écrous 3/8 NPS)	Hose Ø 10 ID / 3/8 dia. (with nuts, 3/8 NPS)	Schlauch Ø 10 ID (mit Muttern 3/8 NPS)	Tubería Ø int. 10 (con tuercas 3/8 NPS)	1
34	905 210 305	Bouchon G 1/2"	Plug, G 1/2"	Blindstopfen, G 1/2"	Tapón, G 1/2"	1

➤ **Moteur / Motor, Mod. 1000-4 T & 2000-4 T**



Pièces spécifiques - Specific parts - Spezifische Teile - Partes específicas

Ind	#	Désignation	Description	Bezeichnung	Denominación	Qté
26	050 102 401	Raccord M 1/2 BSP - M 3/4 NPS	Adaptor M 1/2 BSP - M 3/4 NPS	Nippel M 1/2 BSP - M 3/4 NPS	Racor M 1/2 BSP - M 3/4 NPS	1
27	050 383 104	Tuyau Ø int. 16 (avec écrous 3/4 NPS)	Hose Ø 16 ID / 3/8 dia. (with nuts, 3/4 NPS)	Schlauch Ø 16 ID (mit Muttern 3/4 NPS)	Tubería Ø int. 16 (con tuercas 3/4 NPS)	1
28	552 411	Réduction M 1/2" - F 1/4"	Adapter M 1/2" - F 1/4"	Reduziernippel AG 1/2" - IG 1/4"	Reducción M 1/2"- H 1/4"	1
*29	903 130 508	Régulateur de pression M 1/4 - T 4x6	Pressure regulator M 1/4 - T 4x6	Druckventil M 1/4 - T 4x6	Regulator de presión M 1/4 - T 4x6	1
30	050 371 001	Tuyau Ø 4 x 6 Lg : 1,2 m	Hose Ø 4 x 6 1.2 m long	Schlauch Ø 4 x 6 Länge : 1,2 m	Tubería Ø 4 x 6 1,2 m de largo	1
31	050 102 634	Raccord M 3/4 NPS - M 3/4 G	Fitting, double male, 3/4 NPS - 3/4 G	Doppelnippel, AG 3/4NPS - AG 3/4G	Racor, M 3/4 NPS - M 3/4G	1
32	552 429	Coude FF 3/4"	Elbow, FF 3/4"	Winkelnippel, IG 3/4"	Codo, HH 3/4"	1
33	050 102 215	Raccord MM 3/4"	Fitting, double male, 3/4"	Doppelnippel, AG 3/4 " - AG 3/4 "	Racor MM 3/4"	1



P1 = 6 bar max. / 87 psi

P2 = 1 → 5,5 bar / 14.5 → 80 psi
 (air de puissance / power air / Arbeitsluft / aire de potencia)

P3 = 4 bar max. / 58 psi max.
 (air de pilotage / pilot air / Steuerluft / aire de pilotaje)

Le régulateur (29) est pré réglé en usine pour délivrer une pression de 4 bar max.

The regulator (29) is preset in the factory to give a maximum pressure of 4 bar / 58 psi.

Der Druckregler (29) ist werksseitig auf einen maximalen Steuerluftdruck von 4 bar eingestellt.

El regulador (29) se regula en la fábrica para aportar una presión máxima de 4 bar.

* Pièces de maintenance préconisées.

* Preceding the index number denotes a suggested spare part.

* Bezeichnete Teile sind empfohlene Ersatzteile.

* Piezas de mantenimiento preventivas.

N C : Non commercialisé.

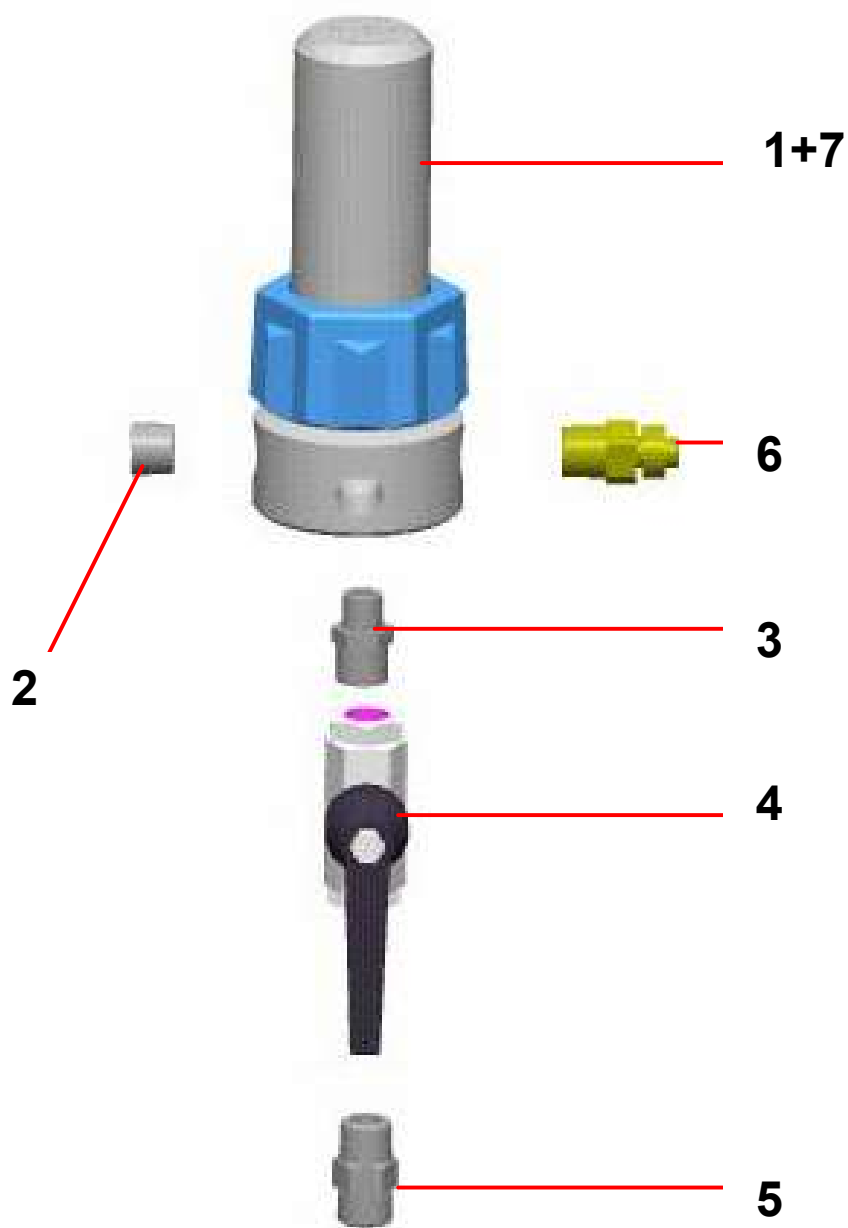
N S : Denotes parts are not serviceable.

N S : Bezeichnete Teile gibt es nicht einzeln, sondern nur komplett.

N S : no suministrado.

<p>Doc. 573.299.050 Date/Datum/Fecha : 20/07/18 Annule/Cancel/ Ersetzt/Anula : 10/06/11</p>	<p>Modif. / Änderung : Mise à jour / Update / Aktualisierung / Actualización KREMLIN REXSON → SAMES KREMLIN</p>	<p>Pièces de rechange Spare parts list Ersatzteilliste Piezas de repuesto</p>
---	--	--

FILTRE PRODUIT HP, modèle 3/8 inox	HP FLUID FILTER, model 3/8 stainless steel
HD MATERIALFILTER, Modell 3/8 Edelstahl	FILTRO PRODUCTO AP, tipo 3/8 inox



FILTRE EQUIPÉ pour pompes AIRMIX®	FILTRE EQUIPÉ pour pompes AIRLESS®
EQUIPPED FILTER for AIRMIX® pumps	EQUIPPED FILTER for AIRLESS pumps
AUSGERÜSTETER FILTER für AIRMIX®-Pumpen	AUSGERÜSTETER FILTER für AIRLESS®-Pumpen
FILTRO EQUIPADO para bombas AIRMIX®	FILTRO EQUIPADO para bombas AIRLESS®
# 155.580.300	# 155.580.400

PIECES COMMUNES - COMMON PARTS - GLEICHE TEILE - PARTES COMUNES

Ind	#	Désignation	Description	Bezeichnung	Denominación	Qté
*1	155 580 200	Filtre nu inox	Bare filter, stainless steel	Nackter Filter - Edelstahl	Filtro solo, inox	1
2	905 210 304	Bouchon inox 3/8 NPT	Plug , stainless steel 3/8 NPT	Blindstopfen - Edelstahl 3/8 NPT	Tapón de inox 3/8 NPT	1
3	906 314 204	Raccord inox M 1/4 - M 3/8	Fitting, double male, 1/4 - 3/8	Doppelnippel AG 1/4 - AG 3/8	Racor inox, M 1/4 - M 3/8	1
*4	000 750 040	Vanne HP FF 3/8 BSP	HP valve FF 3/8 BSP	Kugelhahn, IG 3/8 BSP	Válvula, AP 3/8 BSP	1
5	050 102 411	Raccord inox M 18 x 125 - M 3/8 BSP	Adaptor, stainless steel, double male 18x125 - 3/8BSP	Doppelnippel - Edelstahl AG 3/8 BSP - M 18x1,25	Racor inox, M 18 x 125 - M 3/8 BSP	1
6	905 210 503	Raccord inox M 3/8 NPT - M 1/2 JIC	Adaptor, stainless steel, double male, 3/8 NPT - # 5 JIC (1/2 JIC)	Doppelnippel Edelstahl 3/8 NPT - 1/2 JIC	Racor, inox M 3/8 NPT - M 1/2 JIC	1

PIECES SPECIFIQUES - SPECIFIC PARTS - SPEZIELLE TEILE - PARTES ESPECIFICAS

⇒ **Filtre / Filter / Filtro # 155.580.300**

Ind	#	Désignation	Description	Bezeichnung	Denominación	Qté
*7	000 161 106	Tamis n° 6 (168 µ)	Screen n° 6 (168 µ - 85 Mesh)	Filterelement Sieb Nr. 6 (168 µ)	Tamiz n° 6 (168 µ)	1

⇒ **Filtre / Filter / Filtro # 155.580.400**

Ind	#	Désignation	Description	Bezeichnung	Denominación	Qté
*7	000 161 112	Tamis n° 12 (280 µ)	Screen n° 12 (280 µ - 55 Mesh)	Filterelement Sieb Nr. 12 (280 µ)	Tamiz n° 12 (280 µ)	1

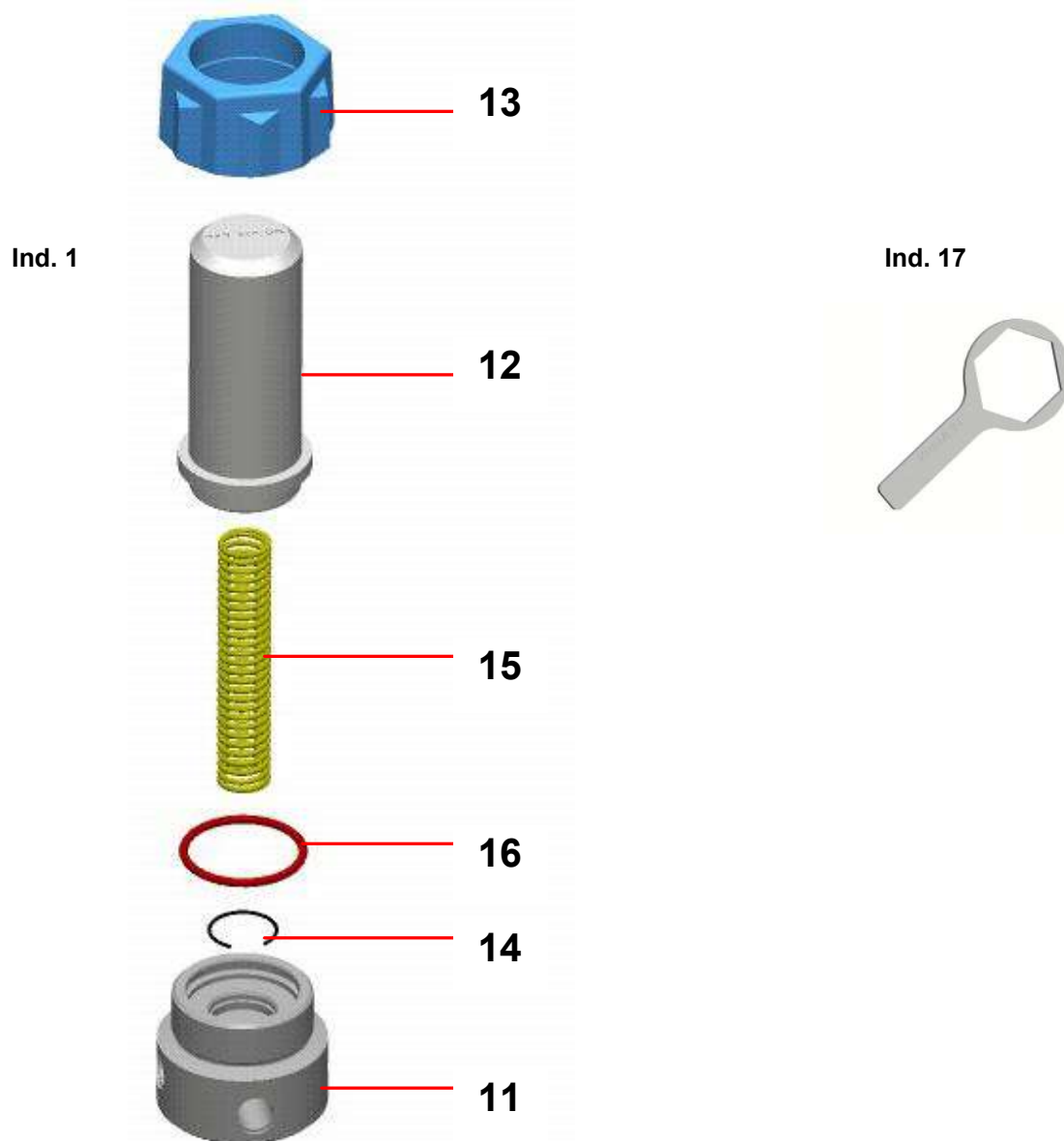
* Pièces de maintenance préconisées.

* Preceding the index number denotes a suggested spare part.

* Bezeichnete Teile sind empfohlene Ersatzteile.

* Piezas de mantenimiento preventivas.

FILTRE NU (sans tamis)	BARE FILTER (without screen)	#
NACKTER FILTER (ohne Sieb)	FILTRO SOLO (sin tamiz)	155.580.200



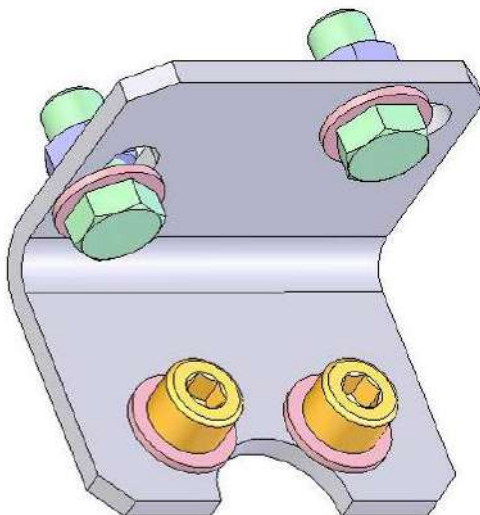
Ind	#	Désignation	Description	Bezeichnung	Denominación	Qté
11	055 580 201	Embase 3/8	Base, model 3/8	Grundblock, Modell 3/8	Base, tipo 3/8	1
12	055 580 202	Cuve	Bowl	Filterglocke	Cubeta	1
13	055 280 002	Ecrou	Nut	Überwurfmutter	Tuerca	1
14	055 190 007	Jonc	Stop ring	Sicherungsring	Clips	1
15	055 190 005	Ressort	Spring	Feder	Muelle	1
*16	150 040 327	Joint (les 5)	Seal (pack of 5)	Dichtung (5 St.)	Junta (bolsa de 5)	1
17	049 030 018	Clé de démontage	Wrench	Schlüssel	Llave de desmontaje	1

Ind. 7



Ind	#	Désignation	Description	Bezeichnung	Denominación	Qté
-	000 161 101	Tamis n° 1 (37 µ)	Screen n° 1 (37 µ)	Sieb Nr. 1 (37 µ)	Tamiz n° 1 (37µ)	1
-	000 161 102	Tamis n° 2 (77 µ)	Screen n° 2 (77 µ)	Sieb Nr. 2 (77 µ)	Tamiz n° 2 (77 µ)	1
-	000 161 104	Tamis n° 4 (99 µ)	Screen n° 4 (99 µ)	Sieb Nr. 4 (99 µ)	Tamiz n° 4 (99 µ)	1
7	000 161 106	Tamis n° 6 (168 µ)	Screen n° 6 (168 µ)	Sieb Nr. 6 (168 µ)	Tamiz n° 6 (168 µ)	1
-	000 161 108	Tamis n° 8 (210 µ)	Screen n° 8 (210 µ)	Sieb Nr. 8 (210 µ)	Tamiz n° 8 (210 µ)	1
7	000 161 112	Tamis n° 12 (280 µ)	Screen n° 12 (280 µ)	Sieb Nr. 12 (280 µ)	Tamiz n° 12 (280 µ)	1
-	000 161 115	Tamis n° 15 (360 µ)	Screen n° 15 (360 µ)	Sieb Nr. 15 (360 µ)	Tamiz n° 15 (360 µ)	1
-	000 161 020	Tamis n° 20 (510 µ)	Screen n° 20 (510 µ)	Sieb Nr. 20 (510 µ)	Tamiz n° 20 (510 µ)	1
-	000 161 030	Tamis n° 30 (750 µ)	Screen n° 30 (750 µ)	Sieb Nr. 30 (750 µ)	Tamiz n° 30 (750 µ)	1

OPTIONS - ON REQUEST - OPTIONEN - OPCIONES



Ind	#	Désignation	Description	Bezeichnung	Denominación	Qté
-	155 190 105	Support filtre avec vis, rondelles et écrous	Mounting bracket with screws, washers and nuts	Filterhalterung mit Schrauben, Scheiben und Muttern	Soporte filtro con tornillos, arandelas y tuercas	1



AIRLESS PUMP

PREVENTIVE MAINTENANCE

TRANSLATION FROM THE ORIGINAL MANUAL

IMPORTANT : Before assembly and start-up, please read and clearly understand all the documents relating to this equipment (professional use only).

THE PICTURES AND DRAWINGS ARE NON CONTRACTUAL. WE RESERVE THE RIGHT TO MAKE CHANGES WITHOUT PRIOR NOTICE.

SAMES KREMLIN SAS
13, chemin de Malacher
38 240 - MEYLAN - France
☎ : 33 (0)4 76 41 60 60

www.sames-kremlin.com

▪ PUMP

Make sure that the pump is clean and in good condition to increase equipment working life.

If the pump is a intensive™ one :

- Make sure the pump fluid outlet flange is always filled up with T lubricant (this T lubricant will normally be coloured by the paint).

- Regularly clean the wetting-cup with solvent after having drained the lubricant (Unscrew the plug placed at the upper flange).

Guards (motor cover, coupling shields, connectors,...) have been designed for a safe use of the equipment.

The manufacturer will not be held responsible for bodily injury or failure and / or property damage due to destruction, the overshadowing or the partial or total removal of the guards.

Make sure that the suction strainer is clean and in good condition. Clean it regularly and replace it if it is necessary.

Flush the pump as often as necessary, specially when spraying pigment filled-material.

Whatever the case, when stopping the pump, always leave it filled with material :
For a short duration shutdown, if the flushing has not been carried out, leave the pump filled with material.
For a long duration shutdown, after flushing, leave it filled with solvent.

▪ SPRAY GUN

Comply with the usual instructions of spray gun servicing (refer to spray gun manual).

▪ FILTER

If the pump is equipped with a filter at the fluid outlet, comply with the usual instructions of filter servicing (refer to filter manual).



HIGH PRESSURE PUMP FOR AIRMIX® AND AIRLESS SPRAYING TROUBLESHOOTING

TRANSLATION FROM THE ORIGINAL MANUAL

IMPORTANT : Before assembly and start-up, please read and clearly understand all the documents relating to this equipment (professional use only).

THE PICTURES AND DRAWINGS ARE NON CONTRACTUAL. WE RESERVE THE RIGHT TO MAKE CHANGES WITHOUT PRIOR NOTICE.

SAMES KREMLIN SAS
13, chemin de Malacher
38 240 - MEYLAN - France
☎ : 33 (0)4 76 41 60 60

www.sames-kremlin.com

CAUSE	SOLUTION
The pump does not start.	Check the pump air supply.
Priming trouble : → Air is always coming out from the spray gun. → Air (or material) does not come out from the spray gun.	Be sure that the spray gun is fully opened and air evacuated through this one. Air intake at the fitting or at the suction rod. Check the pump valves. If a valve is stucked by dry paint, it can be unsticked without disassembling it. Blow air pressure directly by suction fitting.
The pump does not stop at once when shutting off the spray gun : → The pump stops only on down stroke. → The pump stops only on up stroke.	Check exhaust valve or valve seal. Check suction valve or upper cartridge.
The pump does not reverse.	Check spring of the air motor reversing-block. Lubricate reversing-block with HP 150 oil. Check if there is pilot air (depending on air motor model).
On intensive™ pump, the lubricant into the cup is fastly coloured.	Check the upper packing (tighten the cup or change seals if it is necessary).
On FLOWMAX® pump, leakage of fluid at the bottom of the air motor.	Check bellow.
Spraying trouble.	Refer to spray gun manual.
Decrease of material flow.	Refer to filter instruction manual.



**HIGH PRESSURE PUMP
FOR AIRMIX® AND AIRLESS SPRAYING**

***OPERATING PRINCIPLE
AND START-UP***

TRANSLATION FROM THE ORIGINAL MANUAL

IMPORTANT : Before assembly and start-up, please read and clearly understand all the documents relating to this equipment (professional use only).

THE PICTURES AND DRAWINGS ARE NON CONTRACTUAL. WE RESERVE THE RIGHT TO MAKE CHANGES WITHOUT PRIOR NOTICE.

SAMES KREMLIN SAS
13, chemin de Malacher
38 240 - MEYLAN - France
☎ : 33 (0)4 76 41 60 60

www.sames-kremlin.com

1. OPERATING PRINCIPLE

The pump (A) consists of :

- an alternating air motor (B).
- an hydraulic section(C) mechanically coupled to the air motor (B).

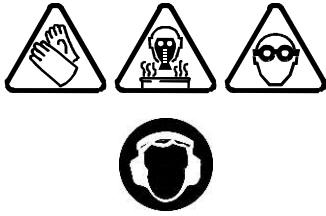
The air motor is supplied with compressed air by means of the regulator knob (D) (pantone 382 colour knob). The pressure is read on the gauge (E).

During its alternating movement, the air motor drives the piston of the hydraulic section (C). The fluid is drawn in (L) and forced under pressure in (N). Due to its design, the pressure is always the one read on the gauge (E) x the pump ratio.

⇒ To adjust the fluid flow rate, turn the regulator knob (D) (pantone 382 colour knob) (Gauge E).

The pumps are intensive™ ones or FLOWMAX ® ones (with bellow).

2. START UP

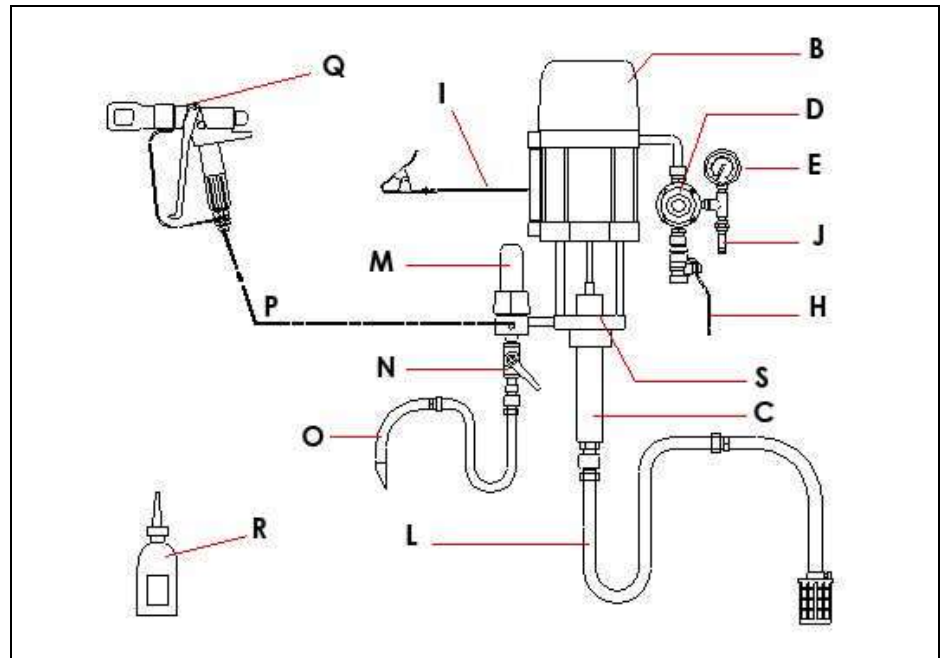


Protective clothing (gloves, protective masks, glasses, hearing protective earplug, protective clothing) should be worn to comply with the recommendations.

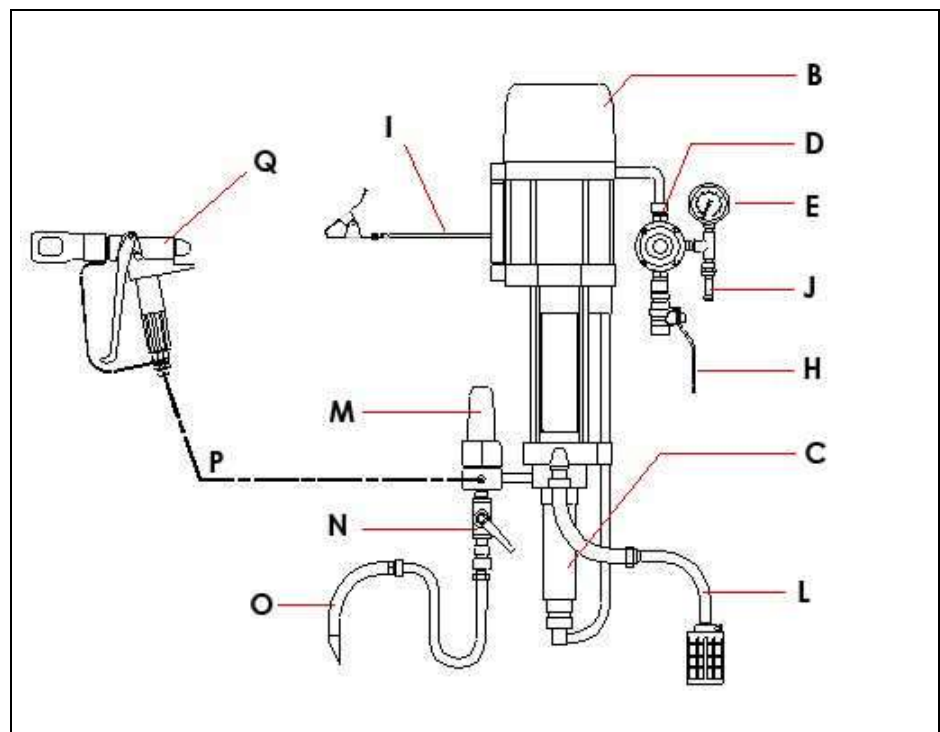
The working area must be correctly ventilated.

2-1 PUMP SUPPLIED IN SUCTION

STANDARD INTENSIVE™
PUMP



FLOWMAX® AIRLESS
PUMP



Captions :

A	Intensive™ or FLOWMAX® pump (B + C)	L	Suction rod (depending on version)
B	Air motor	M	Accumulator filter (depending on version)
C	Fluid section	N	Air shut off valve (depending on version)
D	'MOTOR AIR' air regulator	O	Air shut off rod (depending on version)
E	Gauge	P	HP Fluid hose
H	Air inlet valve	Q	Gun
I	Ground	R	T lubricant (125 ml / 4.4 oz) (only for intensive™ pump)
J	Relief valve	S	Wetting-cup (only for intensive™ pump)

(For specific installation, please contact your SAMES KREMLIN representative).

Nota : If the pump is equipped with an accumulator filter (M), the filter is supplied with a screen n° 12 (filtration size : 280 µ or 55 mesh). The screen is recommended for the use of an AIRLESS gun fitted with a nozzle model 20. If the fluid spraying is carried out by means of an other nozzle, please choose an other screen (refer to filter instruction manual). Adjust the screen to the application.

Guards (air motor cover, coupling shields, housings ...) have been designed for safe use of the equipment.

The manufacturer will not be held responsible for bodily injury or failure and / or damage to property due to removal or partial removal of the guards

Start up procedure :

- 1 - Ground the pump.
- 2 - **If the pump is a intensive™ one, fill up the wetting-cup (S) with "T" lubricant (R) or with an appropriate solvent.**
- 3 - Unscrew the air regulator (D).
- 4 - Interconnect the equipment with the air pressure network (clean air - P < 6 bar / 87 psi). Install a water drop, model 3/4" if it is necessary.
- 5 - Connect all the hoses , compressed air general supply hose and fluid hose (P), as well as the gun (Q).
Nota : Comply with the diameters of hoses recommended in the specifications of the pump.
- 6 - Remove the nozzle from the gun.

■ **FLUSHING WITH SOLVENT**

- 7 - Immerse suction rod (L) and air shut off rod (O) into the material container.
- 8 - Open air shut off valve (N).
- 9 - Open the valve (H) of the pump air equipment to supply the air motor.
Nota : If the air motor is a 5000 or a 8000 version, it needs pilot air to operate. The pump air equipment supplies pilot air to the air motor. The air supply pressure is adjusted previously in the factory to 4 bar / 58 psi maximum.
- 10 - Increase the air regulator (D) so that the pump runs slowly (Pressure between 0.5 and 1 bar / 7.25 to 14.503 psi).
- 11 - Observe the drain (O); air bubbles come out from it. When bubbles no longer come out from it, shut off the drain valve (N).

▪ **PRIMING WITH MATERIAL**

- 12 - Remove suction rod (L) and drain rod (O) from material container and immerse them in a solvent filled container.
- 13 - Open drain valve (N), wait until the material flows out regularly, then shut off the drain valve (N).
- 14 - Point the spray gun towards the material container and trigger the gun until the material flows out regularly.

▪ **WORK**

- 12 - Remove suction rod (L) and drain rod (O) from material container and immerse them in a solvent filled container.
- 13 - Open drain valve (N), wait until the material flows out regularly, then shut off the drain valve (N).
- 14 - Point the spray gun towards the material container and trigger the gun until the material flows out regularly.

Nota : Some of these pumps are designed for AIRMIX ® spraying when using long hoses and medium or high viscosity fluids.

For this use, a spraying air kit shall be mounted on the pump air supply in order to feed compressed air to the spray gun.

2-2 PUMP SUPPLIED IN FILLING (CIRCULATING)

Interconnect the fluid inlet of the pump with the circulating supply hose and start up the pump as it is specified previously.

If the pump is a FLOWMAX ® one :

WARNING:

- **Fluid section filling pressure :** 2 bar maximum / 29 psi maximum
- **WARNING : Do not create overpressure.**
- **Never use** the pump when **an isolating gate on the supply circuit** (upstream from the FLOWMAX ® fluid section) is shut : **it would damage the bellows.**
- **Do not install** a material regulator on the supply circuit or any arrangement that could perform as **a non-return valve.**

3. SHUTDOWN AT THE END OF THE WORK

▪ SHORT DURATION SHUTDOWN

- 1 - Decrease the material pressure of air regulator (D) until reading **0 bar / 0 psi** on gauge (E).
- 2 - Trigger the gun to depressurize the system.
- 3 - Remove the nozzle of the spray gun and soak it into solvent.

▪ LONG DURATION SHUTDOWN

- 1 - Decrease the material pressure of air regulator (D) until reading **1 bar / 14.503 psi** on gauge (E).
- 2 - Remove the nozzle from the spray gun and soak it into solvent.
- 3 - Open the drain valve. The pump must operate at low speed. If the speed is too high, decrease the pump air pressure (D).
- 4 - Remove the suction rod and the drain rod from the material container and immerse it in a solvent-filled container. Take all the appropriate precautions in the presence of flammable solvents.
- 5 - When the solvent flows out clear and clean, close the drain valve.
- 6 - Point the spray gun towards the material container and press the gun trigger. When the solvent flows out, point the gun towards the recovery container.
- 7 - When the solvent flows out regularly, release the spray gun trigger.
Nota : If the pump is a intensive™ one, release the spray gun trigger when the pump piston is in a low position. To prevent from damaging the seals when starting once again the pump, the piston must be immersed into solvent.
- 8 - Fully unscrew the air regulator (D) and shut off the main compressed air valve (valve H).
- 9 - Trigger the spray gun trigger to decompress the hoses. Therefore, the pump and the hose remain filled with solvent at the atmospheric pressure.

4. SAFETY DEVICE

Guards (air motor cover, coupling shields, housings ...) have been designed for safe use of the equipment.
The manufacturer will not be held responsible for bodily injury or failure and / or damage to property due to removal or partial removal of the guards

A relief-valve (setting : 6.5 bar / 94 psi) is fitted on the pump air motor - thus protecting this one from an overpressure which could damage it.



AIRLESS PUMP

40C50

TECHNICAL FEATURES

TRANSLATION FROM THE ORIGINAL MANUAL

IMPORTANT : Before assembly and start-up, please read and clearly understand all the documents relating to this equipment (professional use only).

THE PICTURES AND DRAWINGS ARE NON CONTRACTUAL. WE RESERVE THE RIGHT TO MAKE CHANGES WITHOUT PRIOR NOTICE.

SAMES KREMLIN SAS

13, chemin de Malacher
38 240 - MEYLAN - France

☎ : 33 (0)4 76 41 60 60

www.sames-kremlin.com

1. DESCRIPTION

- Stainless steel pump
- Low maintenance and ease of use

Recommended for :

- Supplying one or several spray guns
- Water-based or solvent-based paints whose viscosity is lower than 1 000 mPa/s

2. TECHNICAL FEATURES

Motor type1000-4
 Pump body typeC50
 Theoretical Fluid pressure ratio40/1

Wetted parts :

Hard chrome stainless steel, Stainless steel,
 Carbide, Polyacetale.

Tightness packings :

Upper, fixed : Polyfluid + PTFE G
 Lower, mobile : GT seal

Air motor stroke	100 mm	4"
Air motor section	100 cm ²	15 sq.in
Fluid section	2,5 cm ²	0.4 sq.in
Delivery per cycle	50 cc	1.76 oz
Number of cycle	20	76 per gal
Fluid delivery (30 cycles)	1,5 l	0.4 USgal
Maximum air operating pressure	6 bar	88 psi
Maximum discharge pressure	240 bar	3480 psi
Weighted sound pressure (LAeq)	77.8 dBa*	77.8 dBa*
Maximum operating temperature	60° C	140° F
Weight	22 kg	48.5 Lbs

* Test conditions - Noise level :

- Test duration : 30 s,
- Motor air pressure : 6 bar,
- Material used : water,
- Flow rate : Pump adjusted at 20 cycles/minute

▪ FITTINGS

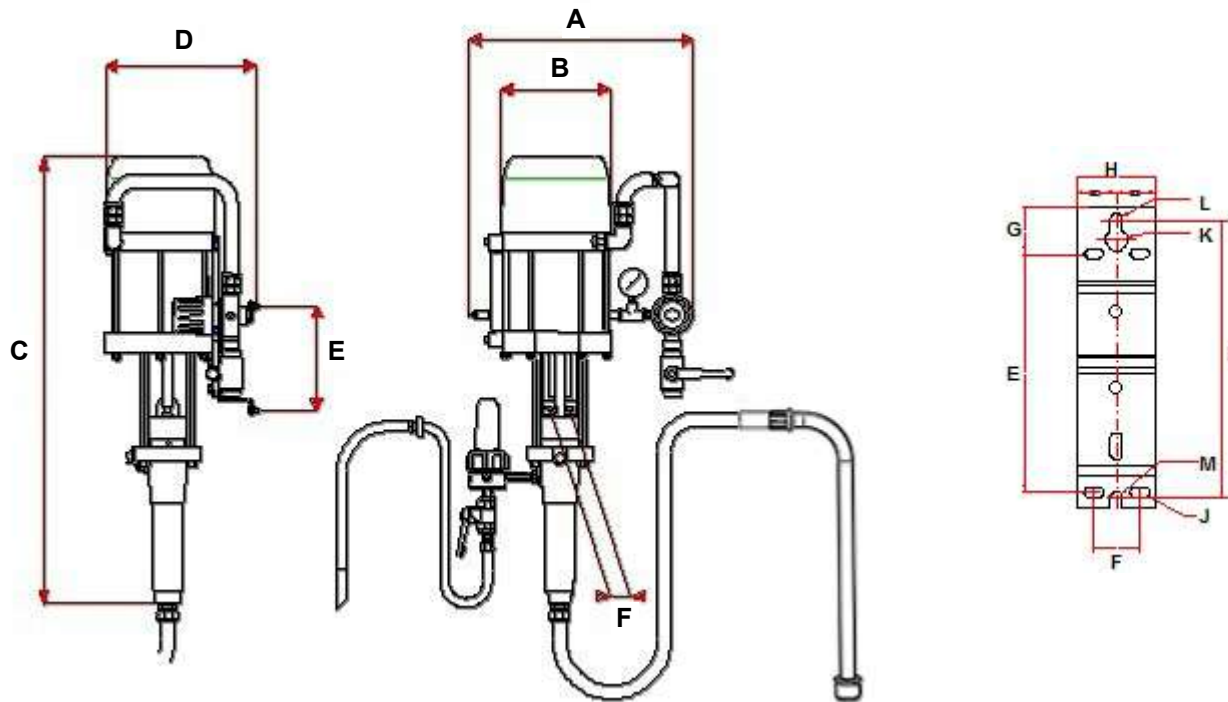
		Bare pump	Pump assembly
Air	Inlet	F 3/8 BSP	F 3/4 BSP (air supply)
Fluid	Inlet	F 1/2 BSP	Male 26 x 125 + suction rod (fitting F 26 x 125)
	Outlet	F 3/8 NPS	M 1/2 JIC / # 5 JIC (filter outlet)

▪ HOSES WITH FITTINGS

Pump air supply hose (minimum \varnothing for a 5 m / 16.5 ft length) : \varnothing 16 mm / 5/8"
 AIRLESS fluid hose (between pump fluid outlet and spray gun) : \varnothing 4.8 mm / 3/16"

▪ DIMENSIONS

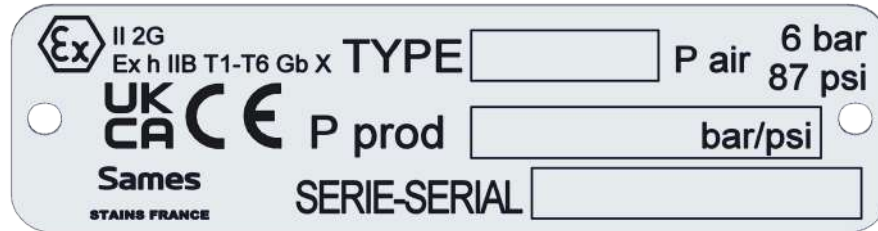
Ind.	mm	"	Ind.	mm	"	Ind.	mm	"
A	400	15.75	B	220	8.7	C	800	31.5
D	280	11	E	182	7.2	F	35	1.38
G	36.5	1.43	H	60	2.36	I	211.5	8.3
J	Ø 7 x 15	Ø 0.27 x 0.6	K	Ø 17	Ø 0.67	L	Ø 9	Ø 0.35
M	Ø 9	Ø 0.35						



3. INSTALLATION

The pumps are designed to be installed in a spray booth.

DESCRIPTION OF THE LABEL MARKING

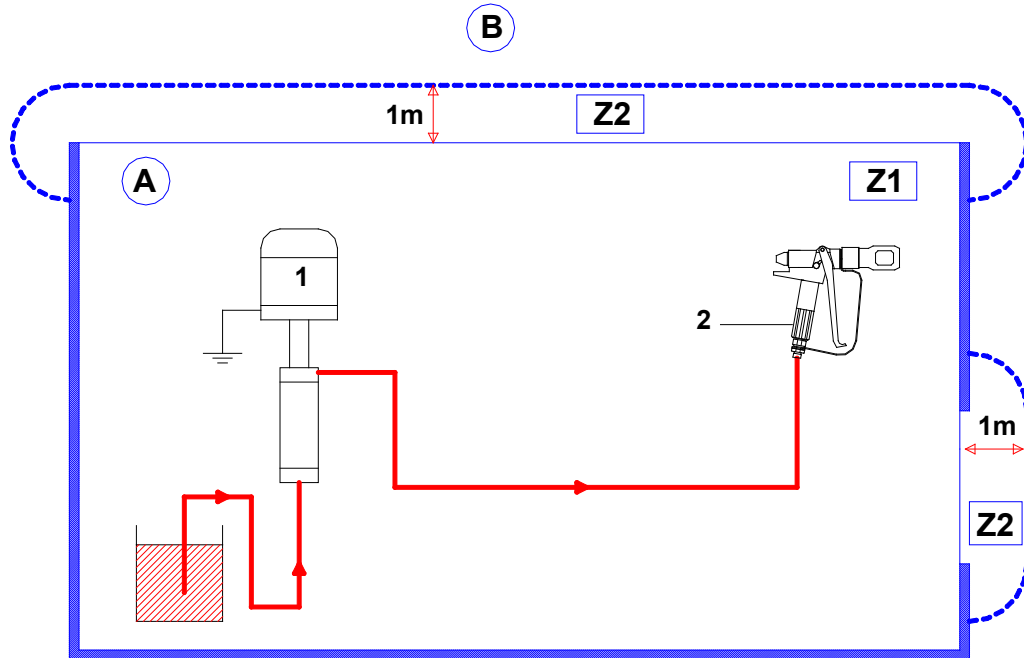


Description	
Sames	Manufacturer's brand
STAINS FRANCE	Manufacturer's address
Ex II 2 G	<p>Ex : Use in explosive area</p> <p>II: Group II 2: Category 2</p> <p>Surface equipment intended for use in environment where explosive atmospheres due to gases, vapors, mists are likely to occur occasionally during normal operation.</p> <p>G: Gas</p>
Ex h IIB T1-T6	<p>Ex: Marking of conformity to European standards</p> <p>h: Protection mode for non-electrical devices</p> <p>IIB: Reference gas for equipment qualification</p> <p>T1-T6: Temperature class range</p>
Gb	Gb : Equipment protection level (gas Zone 1)
X	X : Special conditions apply to the use of the safe operation. Refer to the instructions in the instruction manuals that accompany this product.
UKCA	UK CA : UK Conformity Assessment Marking required for certain products placed on the market in Great Britain (England, Wales, Scotland) on January 2021
CE	CE : European conformity
TYPE	Pump model
P prod : xx bar / xx psi	Maximum fluid pressure at the pump outlet
P air : 6 bar / 87 psi	Maximum air supply pressure of the pump motor
SERIE / SERIAL	Number given by Sames . The two first numbers indicate the manufacturing year.

TEMPERATURE CLASS - PUMP, MODEL 40C50

Temperature class	Maximum surface temperature
T2	300° C / 572°F

■ INSTALLATION INSTRUCTIONS



Ind.	Description
A	Explosive area area 1 (Z1) or area 2 (Z2) : spray booth
B	Non explosive area

Ind.	Description
1	Pump
2	Spray gun



The 1 m / 39.37" distance indicated in this diagram is given for information purposes only and hold harmless to Sames.

The exact delimitation of the zones is the express responsibility of the user, depending on the materials used, the environment and the conditions of use.

The 1 m / 39.37" distance can be modified if the analysis conducted by the user requires it.



NB: Choose the appropriate pump to ensure that the working pressure supplied is suitable for the selected gun.